

Joleena

3-hole basin mixer 150 with pop-up waste set

Finish: **Brushed Nickel** Article Number: **04774820**



Description

product features

- ComfortZone 100
- projection: 125 mm
- handle variant: lever handle
- spray type: normal spray
- maximum flow rate at 3 bar: 4,5 l/min
- ceramic valves 90°
- pop-up waste set G 1
- connection type: G 3/8 compression

Technology



Product image



Joleena

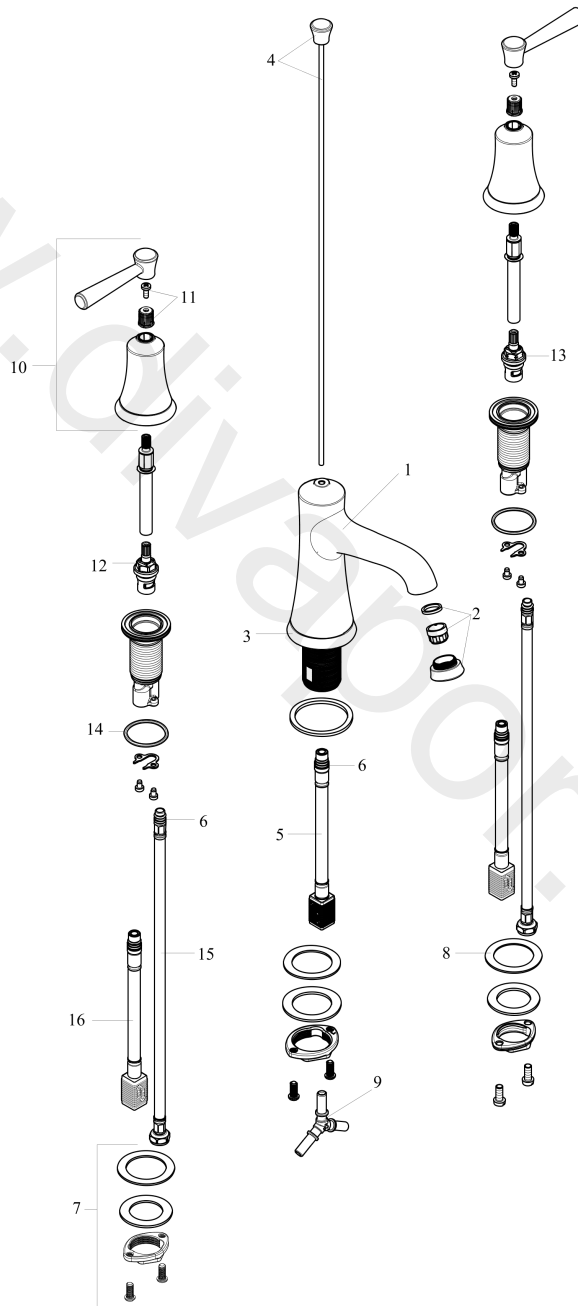
3-hole basin mixer 150 with pop-up waste set

Finish: **Brushed Nickel** Article Number: **04774820**



Exploded Drawing

Year of production: >01/20



Joleena

3-hole basin mixer 150 with pop-up waste set

Finish: **Brushed Nickel** Article Number: **04774820**



Spare part list

Year of production: >01/20

Pos.	Description	Article Number	Price	PU
1	spout cpl.	93555820	-	1
2	aerator M24x1 (4,5 l/min)	93531821	-	1
3	escutcheon	93530820	-	1
4	pop up rod	93554820	-	1
5	connection hose 200 mm M10x1	92913000	£ 51,00	1
6	O-ring 8x1,75	97827000	£ 3,30	1
7	fixing set (Ø 28)	92909000	£ 43,00	1
8	lever collar	97548000	£ 3,30	1
9	hose connection angel	92905000	£ 43,00	1
10	handle	93553820	-	1
11	handle fixing set	98932000	£ 16,10	1
12	shut off unit right closing	98817001	-	1
13	shut off unit left closing	95366001	-	1
14	O-ring 33x2,5	92907000	£ 3,30	1
15	connection hose 18½" M8x0,75 3/8"	96321001	-	1
16	connection hose 400 mm M10x1	92914000	£ 64,00	1
a	pop up waste	88509820	-	1