

Focus

3-hole basin mixer 100 with lever handles and pop-up waste set 1.0 GPM

Finish: **Chrome** Article Number: **04809000**



Description

product features

- consists of: 3-hole basin mixer, waste set
- ComfortZone 100
- handle variant: lever handle
- spray type: normal spray
- maximum flow rate at 3 bar: 3,8 l/min
- ceramic valves hot/cold 90°
- suitable for continuous flow water heaters
- pop-up waste set G 1
- connection type: NPT ½

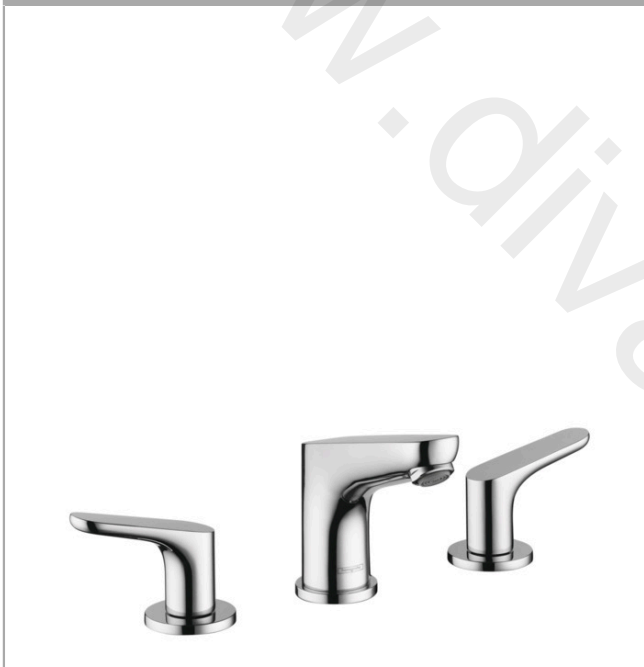
Technology



Certificates / Sustainability



Product image



Focus

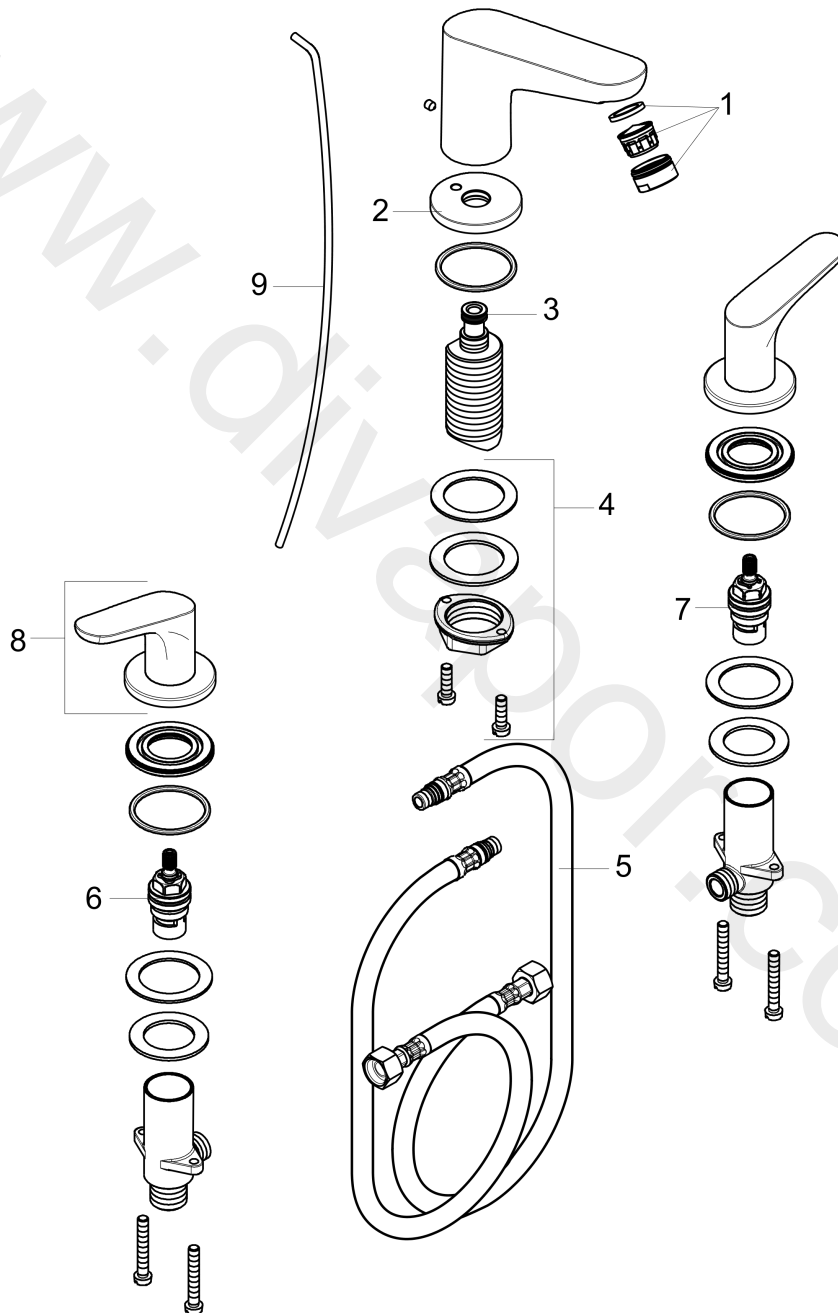
3-hole basin mixer 100 with lever handles and pop-up waste set 1.0 GPM

Finish: **Chrome** Article Number: **04809000**



Exploded Drawing

Year of production: >02/19



Focus

3-hole basin mixer 100 with lever handles and pop-up waste set 1.0 GPM

Finish: **Chrome** Article Number: **04809000**



Spare part list

Year of production: >02/19

Pos.	Description	Article Number	Price	PU
1	aerator M24x1	93503000	-	1
2	escutcheon for spout	97505000	£ 64,00	1
3	O-ring 11x2	98127000	£ 3,30	1
4	fixing set (Ø 32)	13961000	£ 25,00	1
5	connection hose 17½" M10x1 3/8"	94071001	£ 35,00	1
6	shut off unit right closing	94009000	£ 43,00	1
7	shut off unit left closing	94008000	£ 43,00	1
8	handle	95930001	-	1
9	pull rod	96657000	£ 13,30	1
a	pop up waste	88509000	-	1