

Locarno**Thermostat for concealed installation for 2 functions**Finish: **Matt Black** Article Number: **04820670****Description****product features**

- consists of: Thermostat
- 2 functions
- Outlets may not be operated simultaneously
- volume control and diverter for 2 functions
- thermostat cartridge
- maximum flow rate at 3 bar: 22,7 l/min
- optimized for water-efficient shower products
- Safety stop at 40 °C
- temperature limitation adjustable
- non-return valve
- with silencer
- suitable for continuous flow water heaters
- connection type: basic set
- dirt filter included

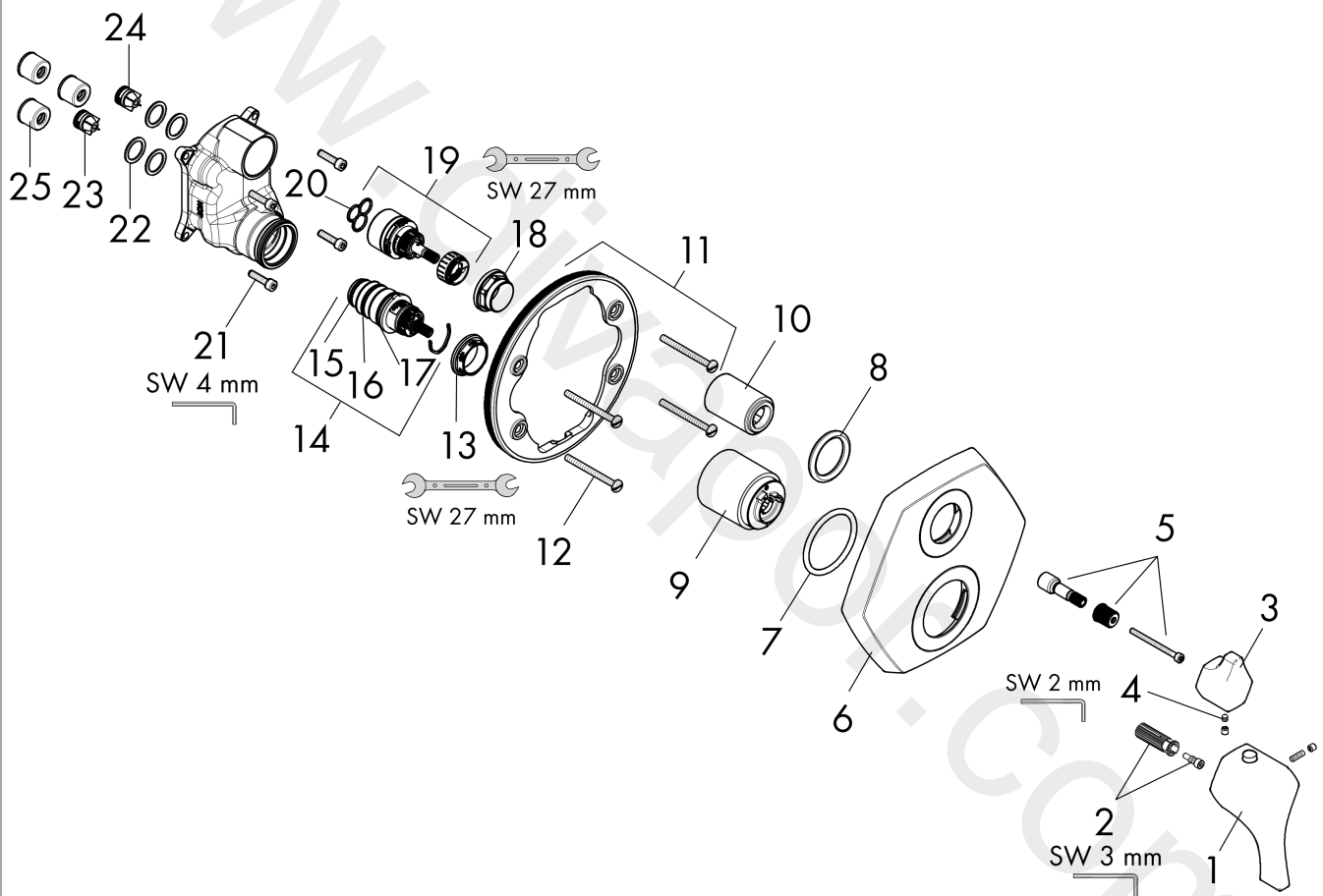
Product image

Locarno
Thermostat for concealed installation for 2 functions
 Finish: **Matt Black** Article Number: **04820670**



Exploded Drawing

Year of production: >02/21



Locarno

Thermostat for concealed installation for 2 functions

Finish: **Matt Black** Article Number: **04820670**



Spare part list

Year of production: >02/21

Pos.	Description	Article Number	Price	PU
1	handle for thermostat	93917670	-	1
2	handle fixing set	95843000	£ 9,00	1
3	handle	93918670	-	1
4	hollow set screw M4x5	92846000	£ 13,30	1
5	adapter for handle	95252001	-	1
6	escutcheon	93919670	-	1
7	O-ring 44x4	98471000	£ 9,00	1
8	O-ring 30x5	98153000	£ 3,30	1
9	sleeve	92216670	£ 51,00	1
10	sleeve	95253670	£ 51,00	1
12	set of fixing screws	96454000	£ 9,00	1
13	nut	98913000	£ 20,50	1
14	thermostat cartridge	98282000	£ 110,00	1
15	O-ring 20x1,5	98197000	£ 3,30	1
16	O-ring 25x1,5	98146000	£ 3,30	1
17	O-ring 25x2,5	92146000	£ 9,00	1
18	nut	95255000	£ 20,50	1
19	shut off unit with selector	98283000	£ 79,00	1
20	seal	95008000	£ 9,00	1
21	set of screws	96525000	£ 9,00	1
22	O-ring 16x2	98133000	£ 3,30	1
23	non return valve (pressure-resistant up to 2 MPa)	92594000	£ 16,10	1
24	set of non return valves DW 15	97350000	£ 20,50	1
25	noise reduction	94073000	£ 25,00	1
a	cartridge for exchanged connections	92373000	£ 275,00	1
b	extension 25 mm	13595000	£ 75,00	1
c	set of fixing screws	97747000	£ 3,30	1
d	O-ring 36x2	98156000	£ 3,30	1
e	O-ring 34x2	98383000	£ 6,10	1
f	O-ring 26x2	98147000	£ 3,30	1
g	O-ring 38x2,5	98198000	£ 6,10	1