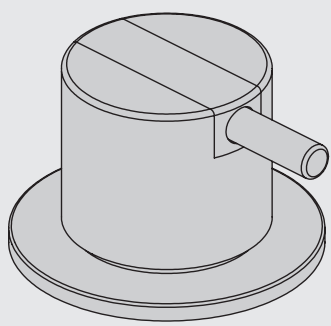


VOLA 500, 590, 500T1  
 VOLA 2500  
 VOLA SC1, SC3, SC5, SC7, SC9, SC10, SC12

Fitting instruction  
 Montageanleitung  
 Monteringsvejledning  
 Monteringsvægledning  
 Montage hanleiding  
 Manuel de montage

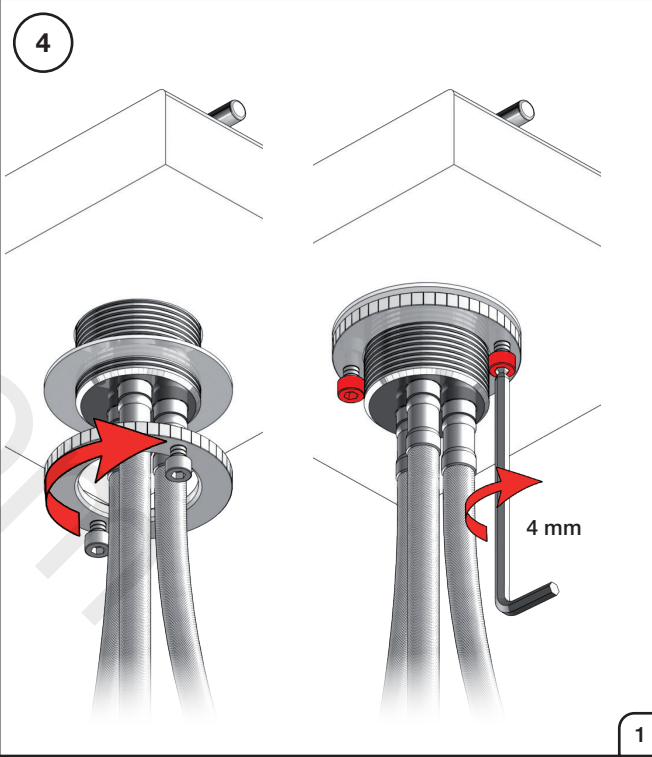
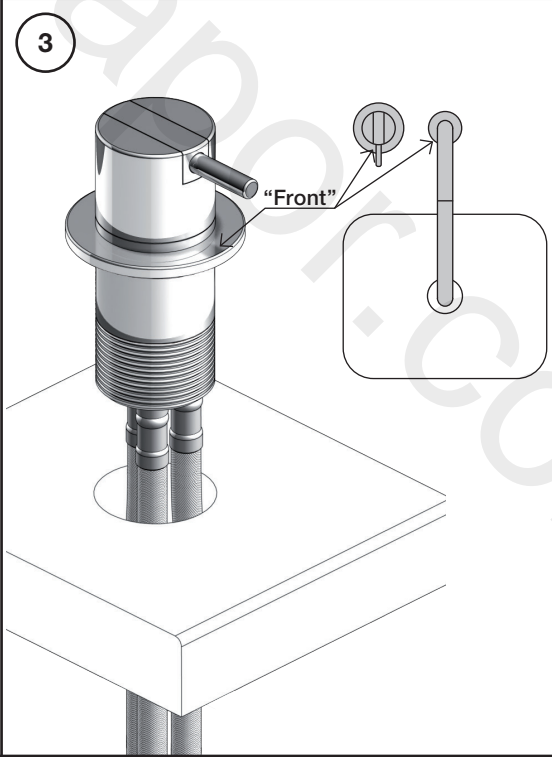
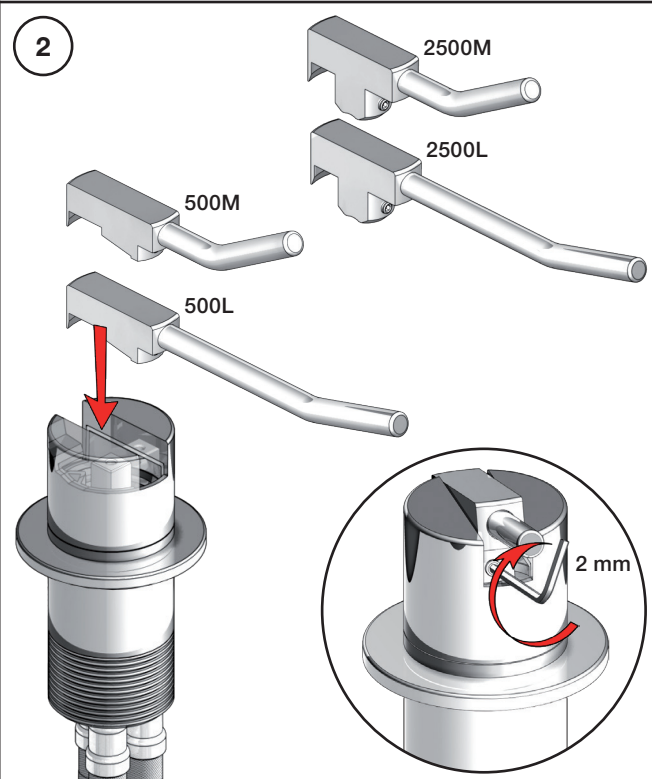
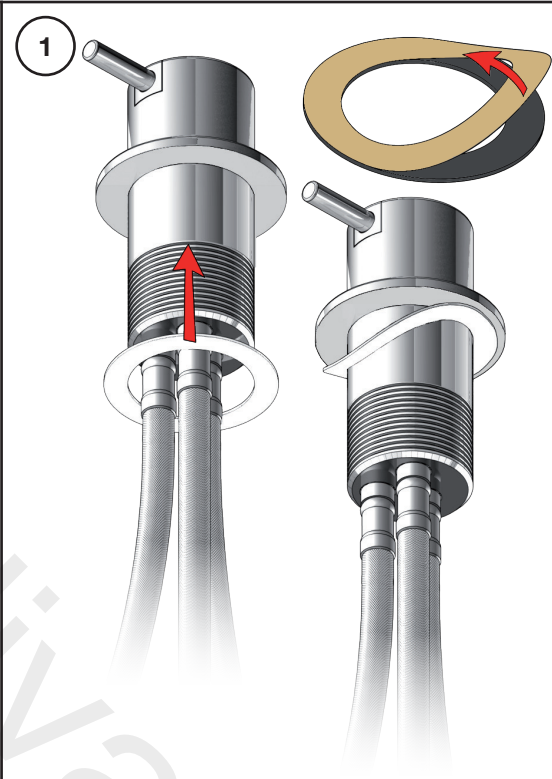
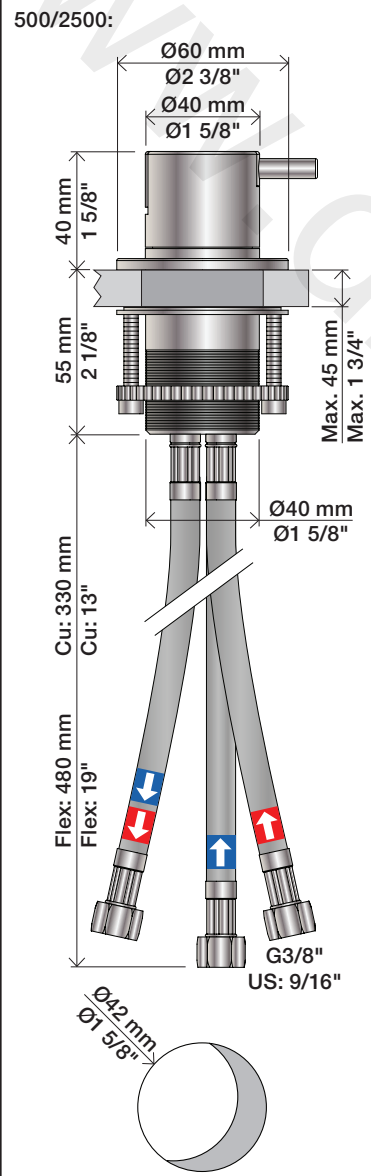
590:  
 GODKENDT  
 TIL DRILLEKENDT



**Data, 3 Bar /43.5 Psi:**

	l/min.	Gal/min.
500:	14,5	3,8
590:	9,0	2,4
500-T1:	11,0	2,9
2500:	18,7	4,9
SC1:	18,7	4,9
SC5, 7:	18,0	4,8
SC9:	11,0	2,9

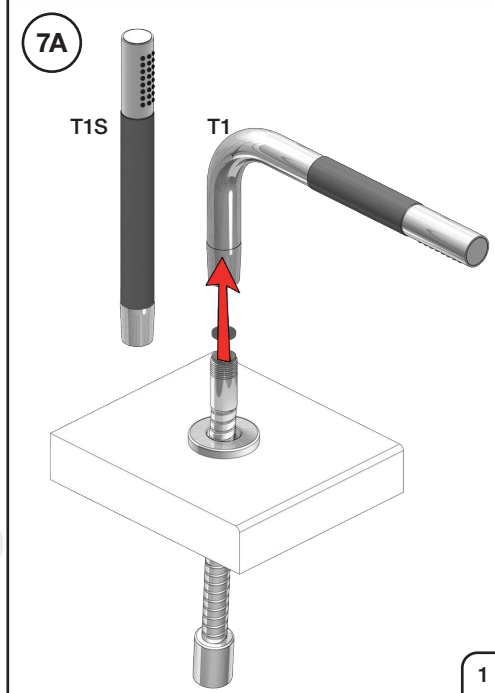
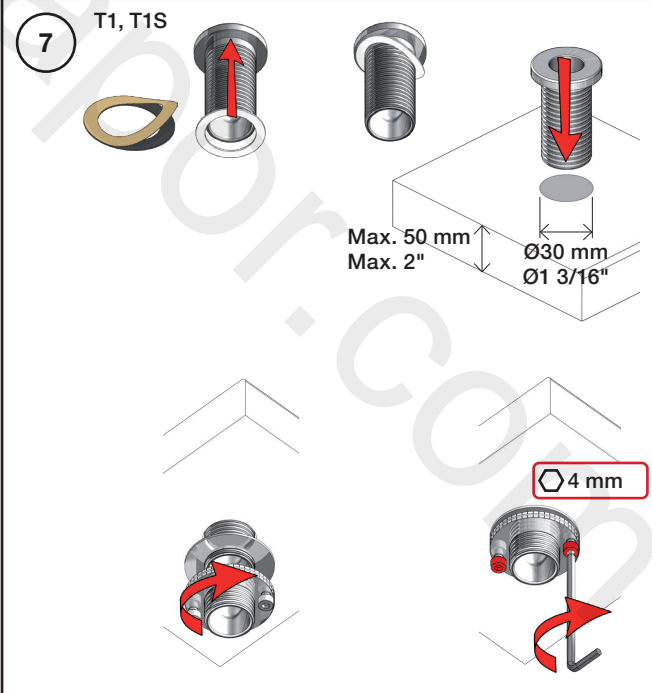
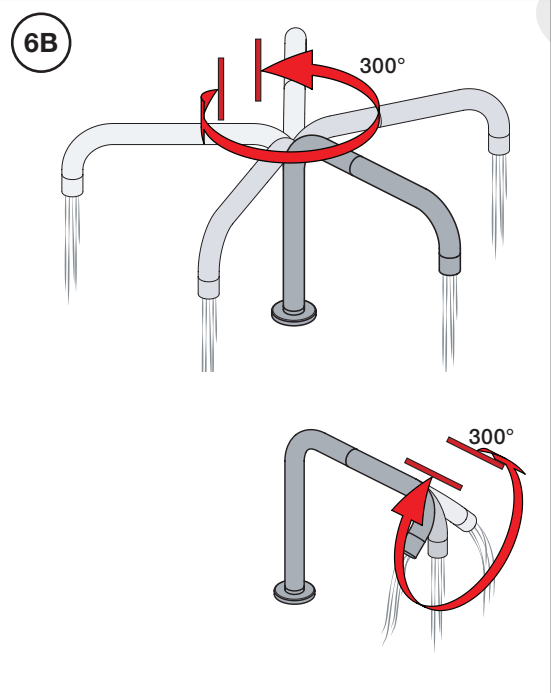
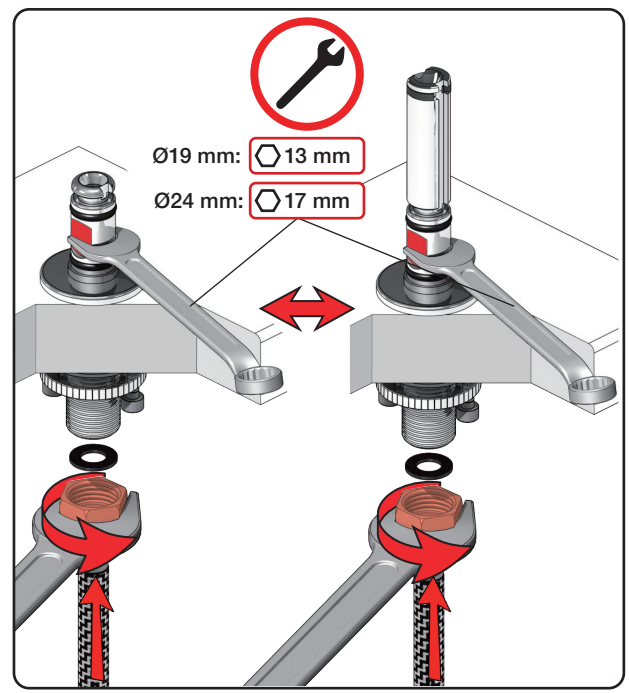
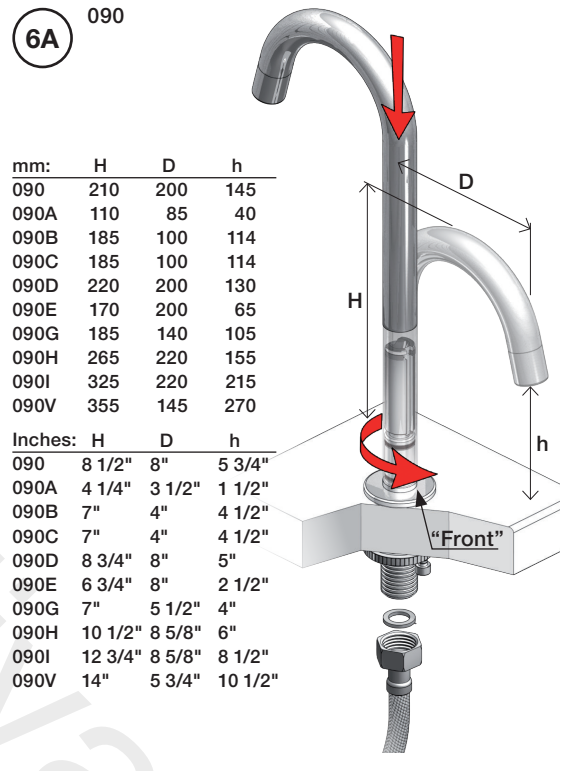
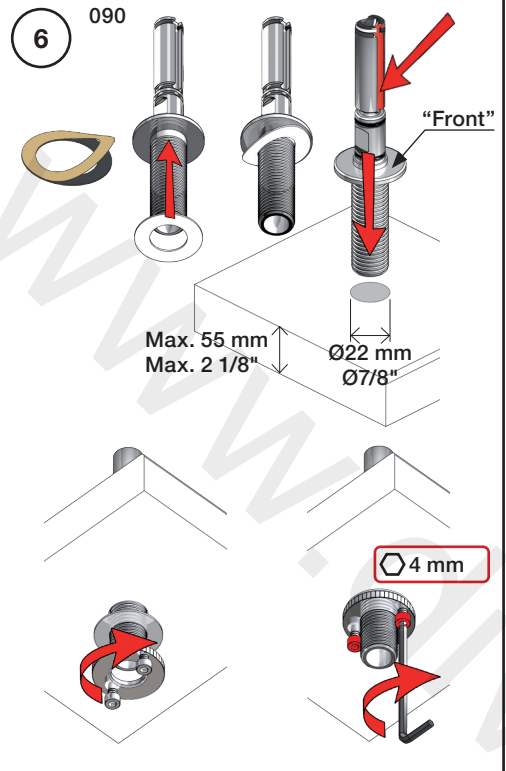
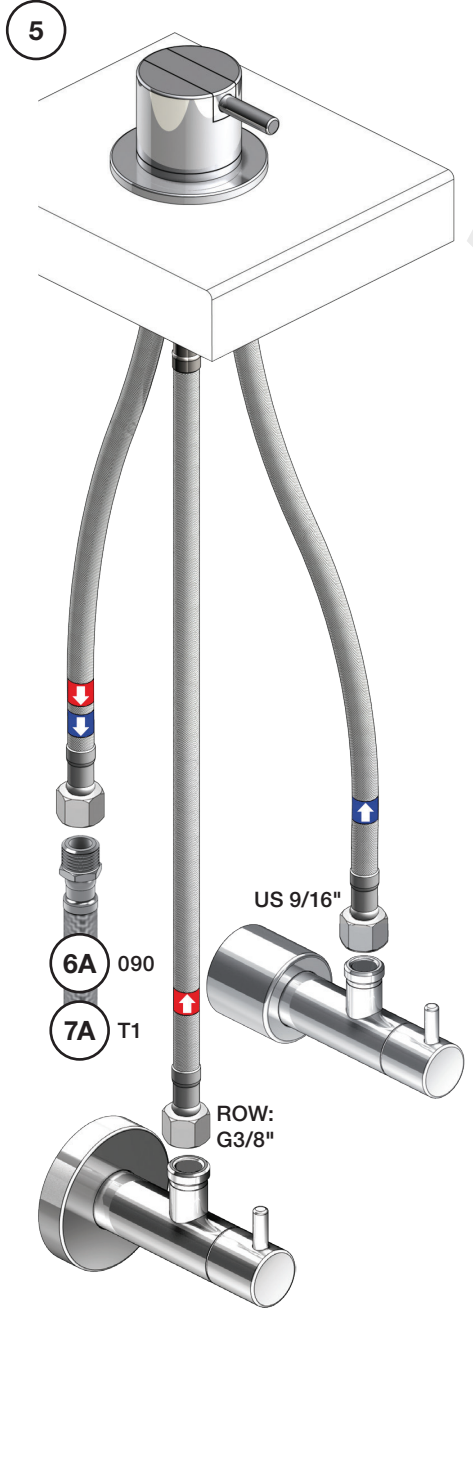
 Max. 65°C, 150°F



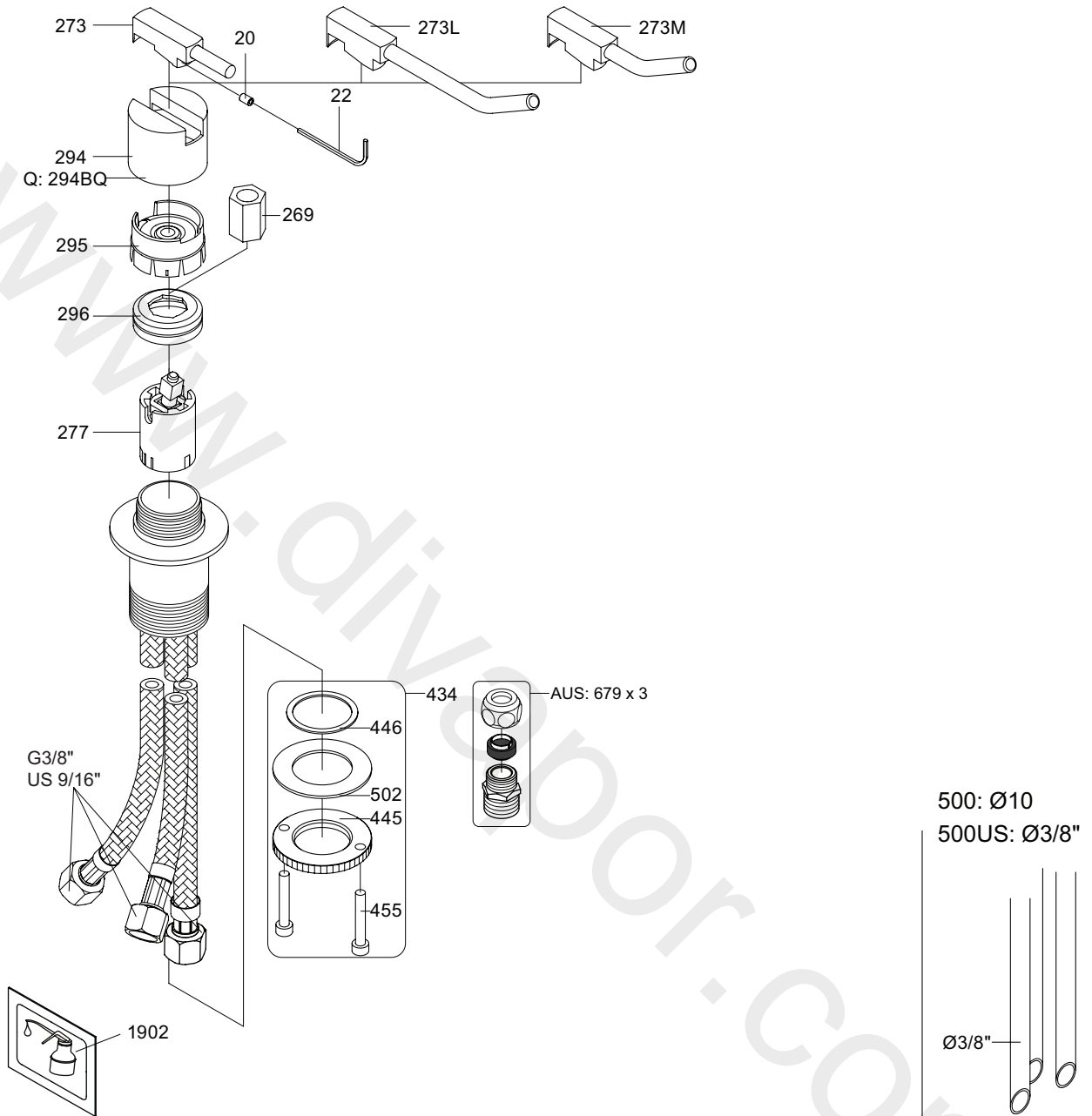
www.vola.com  
 500 - 2500\_V0\_40998137  
 01-01-2023



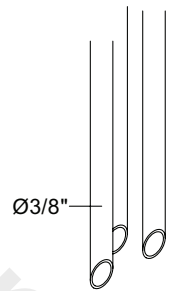
vola



500:



500: Ø10  
500US: Ø3/8"



- VR277K: VR22, VR269, VR277  
 VR297: VR20, VR22, VR269, VR273, VR277, VR294, VR295, VR296  
 VR434: 2xVR444, VR445, 2xVR455, VR502  
 NR.10: VR20, VR22, VR273, VR294, VR295



**vola**  
 Lunavej 2  
 DK-8700 Horsens  
 Tlf : + 45 7023 5500  
 sales@vola.com  
 www.vola.com

## VOLA 500/M/L

Date  
Jan. 23

Rev.  
4

Sheet  
SB 4.1