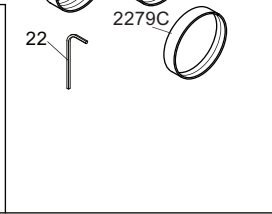
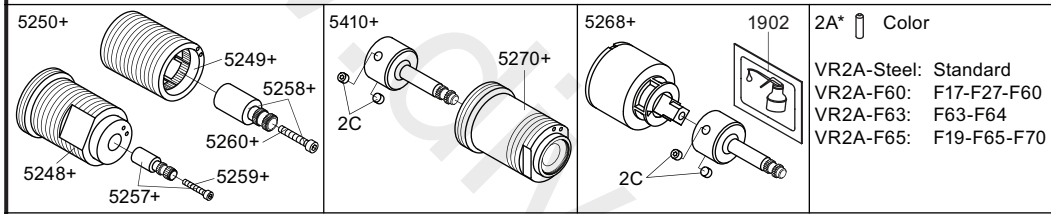
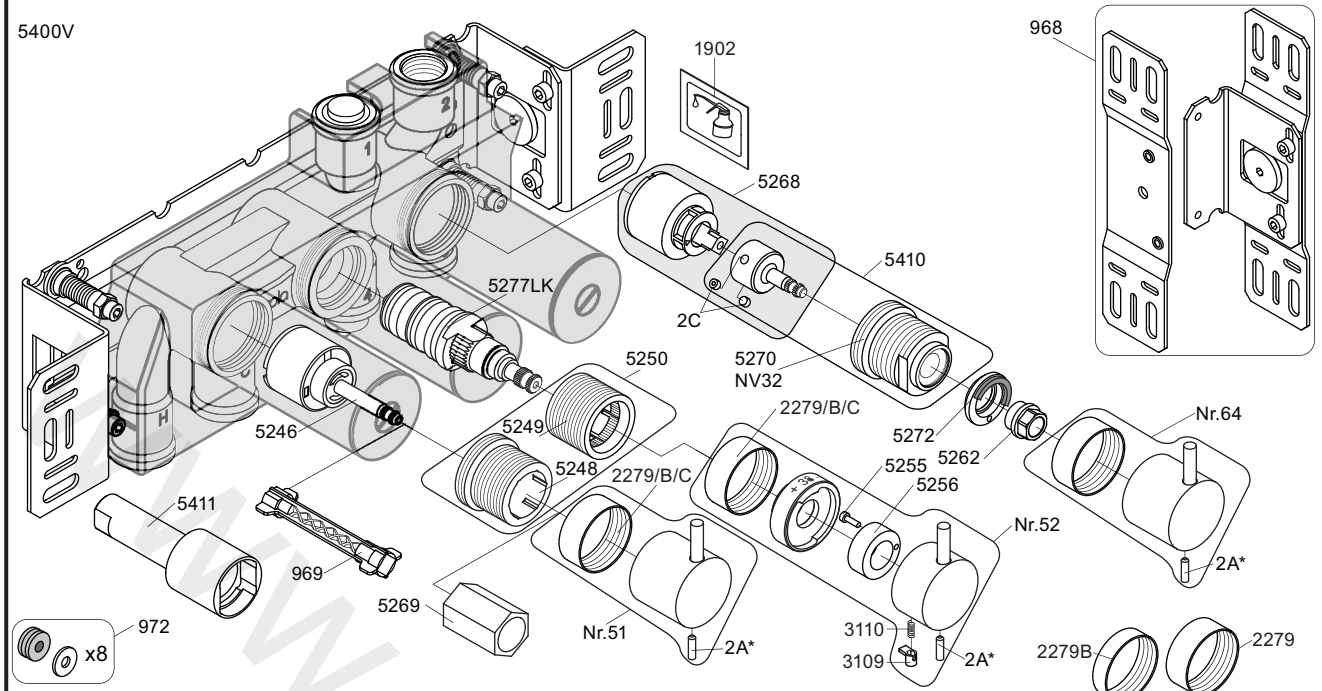
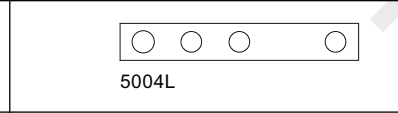
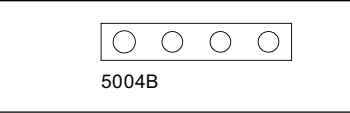
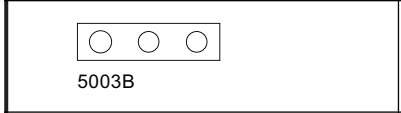
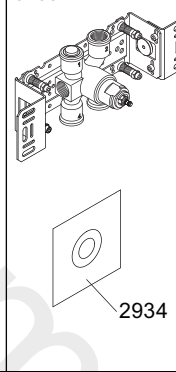
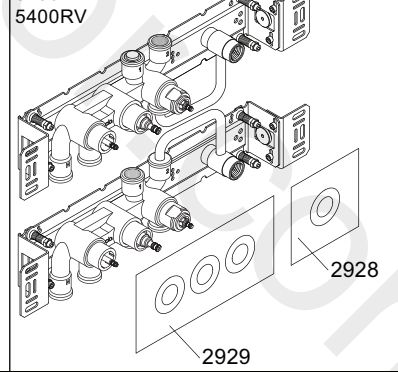
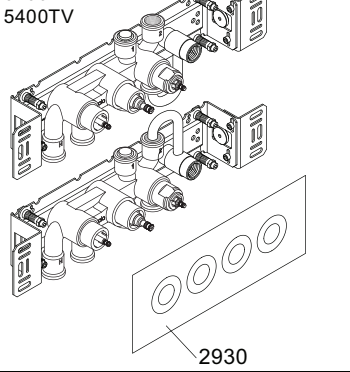
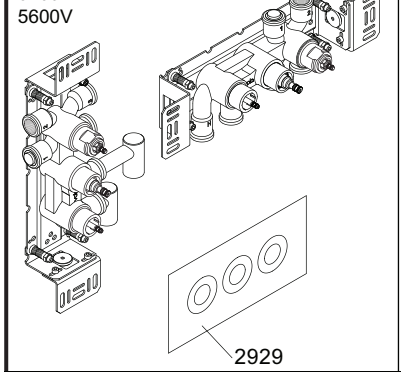


5400V



5250+	5410+	5268+	1902	2A* Color
5248+	5270+	5268+	1902	VR2A-Steel: Standard
5257+	5270+	5268+	1902	VR2A-F60: F17-F27-F60
5258+	5270+	5268+	1902	VR2A-F63: F63-F64
5259+	5270+	5268+	1902	VR2A-F65: F19-F65-F70

NR51: VR5251, VR2279+B+C, VR2A
 NR52: VR2A, VR5252, VR5253, VR5255, VR5256, VR2279+B+C, VR3113, VR2A
 NR64: VR5251, VR2279+B+C, VR2A
 VR3113: VR3109, VR3110, VR5255
 VR5250+: VR5248+, VR5249+, VR5257, VR5258, VR5259, VR5260
 VR5257+: VR5257+, VR5259+
 VR5258+: VR5258+, VR5260+
 VR5268+: 2xVR2C, VR1902, VR5268
 VR5410+: 2xVR2C, VR5270+




vola
 Lunavej 2
 DK-8700 Horsens
 Tlf : + 45 7023 5500
 sales@vola.com
 www.vola.com

VOLA 5400V
 5400FV, 5400NV
 5400RV, 5400TV
 5600V

Date	May 22
Rev.	5
Sheet	SB 10.54