

VOLA 5100, 5100X, 5200V, 5300  
 VOLA 5400DV, 5400V, 5400NV & A3/A4  
 VOLA 5400TV, 5400FV, 5400RV & A3/A4  
 VOLA 5600V & A3/A4



Fitting instruction  
 Montageanleitung  
 Monteringsvejledning

Monteringsvægledning  
 Montage hanleiding  
 Manuel de montage



www.vola.com

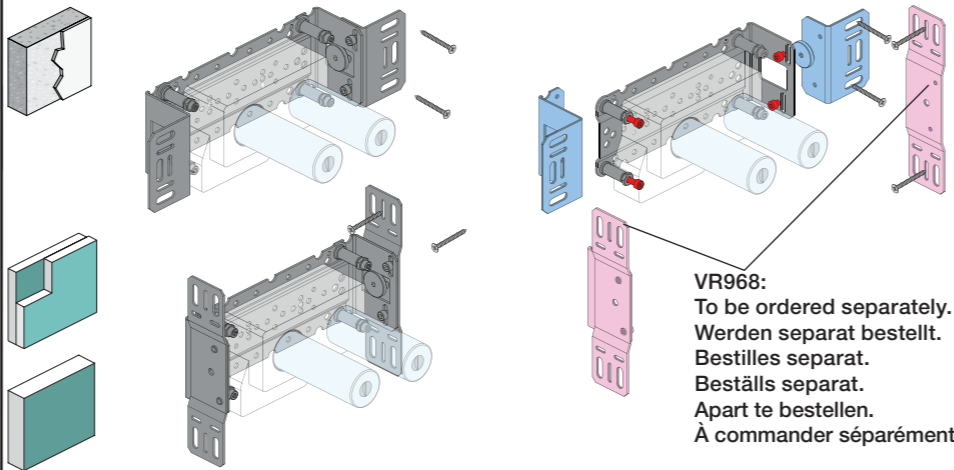
5000\_V4\_40998504  
 04-01-2023

vola



5 705230 287317

|                                    | L                 | L1                | L2                | H               | H1               | D               |
|------------------------------------|-------------------|-------------------|-------------------|-----------------|------------------|-----------------|
| 5400DV                             | 377 mm<br>14 3/4" | 260 mm<br>10"     | 268 mm<br>10 1/2" | 95 mm<br>3 3/4" | 186 mm<br>7 3/8" | 70 mm<br>2 3/4" |
| 5100, 5200V, 5300,<br>5400V, 5600V | 475 mm<br>19 3/4" | 355 mm<br>14"     | 367 mm<br>14 1/2" |                 |                  |                 |
| 5100X, 5400NV, 5400TV              | 552 mm<br>21 3/4" | 435 mm<br>17"     | 447 mm<br>17 5/8" |                 |                  |                 |
| 5400FV, 5400RV                     | 630 mm<br>25 1/2" | 514 mm<br>20 3/8" | 522 mm<br>20 1/2" |                 |                  |                 |



VR968:  
 To be ordered separately.  
 Werden separat bestellt.  
 Bestilles separat.  
 Apart te bestellen.  
 À commander séparément.

**A** Max.: 10 Bar/145 psi  
 Max. 65°C, 150°F

USA - For use with showerheads rated at 5.7 L/min. (1.5 gpm.) or higher.

AUS - Hot water inlet: Max. 50°C, 122°F. (AS 4032)

Data, l/min. / (Gpm) 3 Bar/43.5 Psi:

5100/5200V/5300: A 5400/5600A3: A - C  
 5400/5600: A - B 5400/5600A4: A - D

| 5400<br>5600 | 5400A3<br>5600A3 | 5400A4<br>5600A4 | A        | M        | B        | M        | C        | M        | D        |
|--------------|------------------|------------------|----------|----------|----------|----------|----------|----------|----------|
| 2            | 2                | 2                | A        | M        | B        | M        | C        | M        | D        |
| 3            | 3                | 3                | 32/(8.5) | 16/(4.2) | -        | -        | -        | -        | -        |
| Out 2        | Out 1            | Out 1            | -        | -        | 32/(8.5) | 16/(4.2) | -        | -        | -        |
| Out 3        | Out 2            | Out 2            | -        | -        | -        | -        | 32/(8.5) | 16/(4.2) | -        |
| -            | Out 3            | Out 3            | -        | -        | -        | -        | -        | -        | 32/(8.5) |
| -            | -                | Out 4            | -        | -        | -        | -        | -        | -        | -        |

**B** Check the local legislation.  
 Bitte die örtlichen Vorschriften überprüfen.  
 Tjek de lokale regler.  
 Kontrollera lokala föreskrifter  
 Nazitten lokale regelgeving.  
 Vérifiez la législation locale.

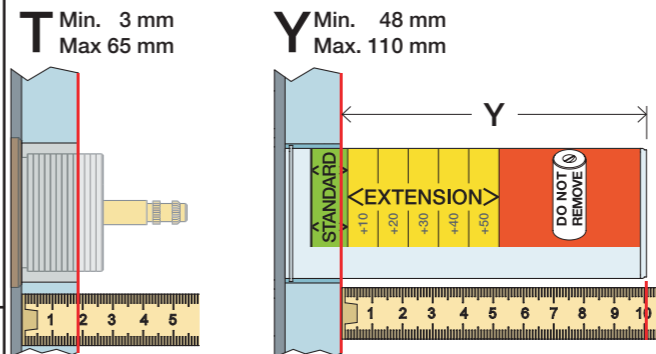
**!DO NOT!  
 !REMOVE!**

**C** DE: Bitte separat beiliegende Anleitung für die Schallentkopplung VR972 beachten

**D** Box till inbyggnadsblandare.  
 Boks til inbyggningsblandere.  
 Laatikko seinäasenteiselle sekoittajalle.

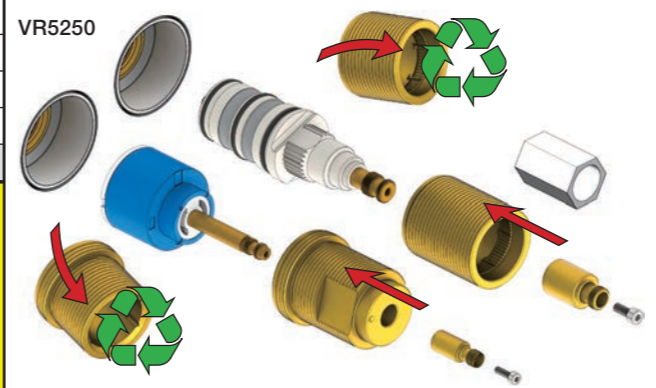
Ingår inte i leveransen, köps separat.  
 Ikke inkludert, kjøpes separat.  
 Eivät sisälly tilaukseen, ostettava erikseen.

Extension  
 Verlängerung  
 Forlængerdele  
 Förlängning  
 Aanpassing  
 Modification

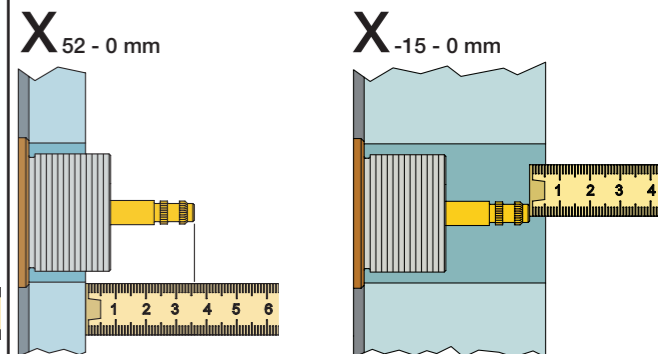


| T          | Y           | VR5250/VR5410/VR2019 |
|------------|-------------|----------------------|
| 3 - 15 mm  | 110 - 98 mm | Std.                 |
| 15 - 25 mm | 98 - 88 mm  | +10                  |
| 25 - 35 mm | 88 - 78 mm  | +20                  |
| 35 - 45 mm | 78 - 68 mm  | +30                  |
| 45 - 55 mm | 68 - 58 mm  | +40                  |
| 55 - 65 mm | 58 - 48 mm  | +50                  |

Fitting of extension  
 Montage von verlängerung  
 Montering af forlængerdele  
 Montering av förlängning

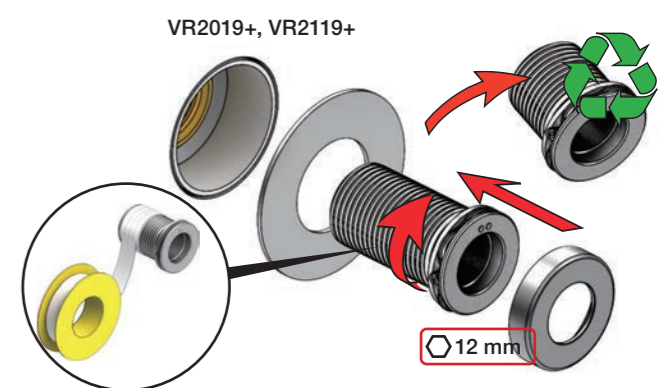


Extension, retrofit  
 Verlängerung, nachträglicher Einbau  
 Forlængerdele, eftermontering  
 Förlängning, eftermontering  
 Aanpassing na montage  
 Modification après installation



| X           | VR5250/VR5410/VR2019 |
|-------------|----------------------|
| 37 - 49 mm  | Std.                 |
| 27 - 37 mm  | +10                  |
| 17 - 27 mm  | +20                  |
| 7 - 17 mm   | +30                  |
| -3 - 7 mm   | +40                  |
| -13 - -3 mm | +50                  |

Montage van de verlengstukken  
 Montage des rallonges



**VR5410**

5400:  
5600:

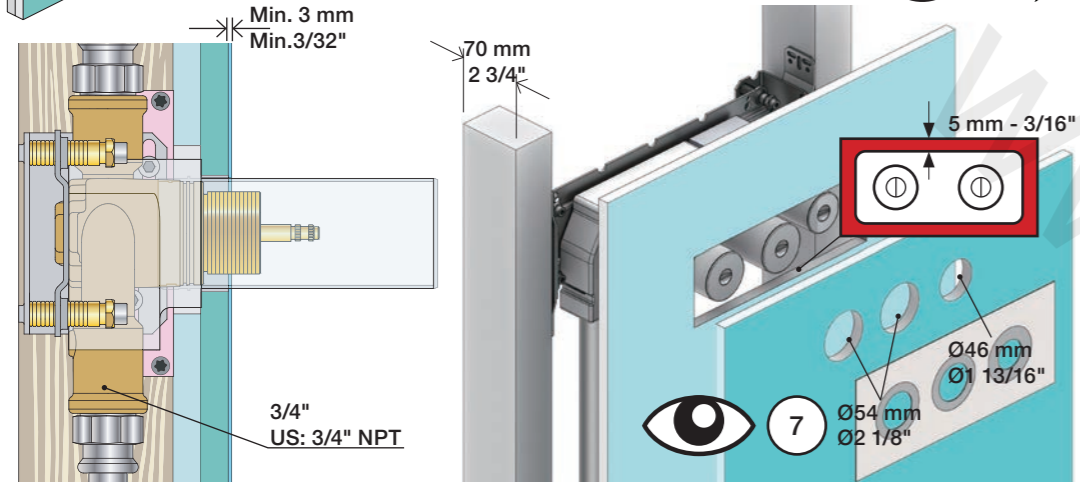
**VR5411**

5400/5600: 5400A3/ 5600A3: 5400A4:  
5600A4:



**2x13 mm** Lightweight wall  
 Leichtwand  
 Let væg

Lätta konstruktion  
 Holle wandconstructie  
 Construction légère



**1x15 mm**  
**1x18 mm**  
**1x20 mm**

Lightweight wall  
 Leichtwand  
 Let væg

Lätta konstruktion  
 Holle wandconstructie  
 Construction légère



Masonry  
 Mauerwerk  
 Murverk

Murverk  
 Massieve wand  
 Mur Plein



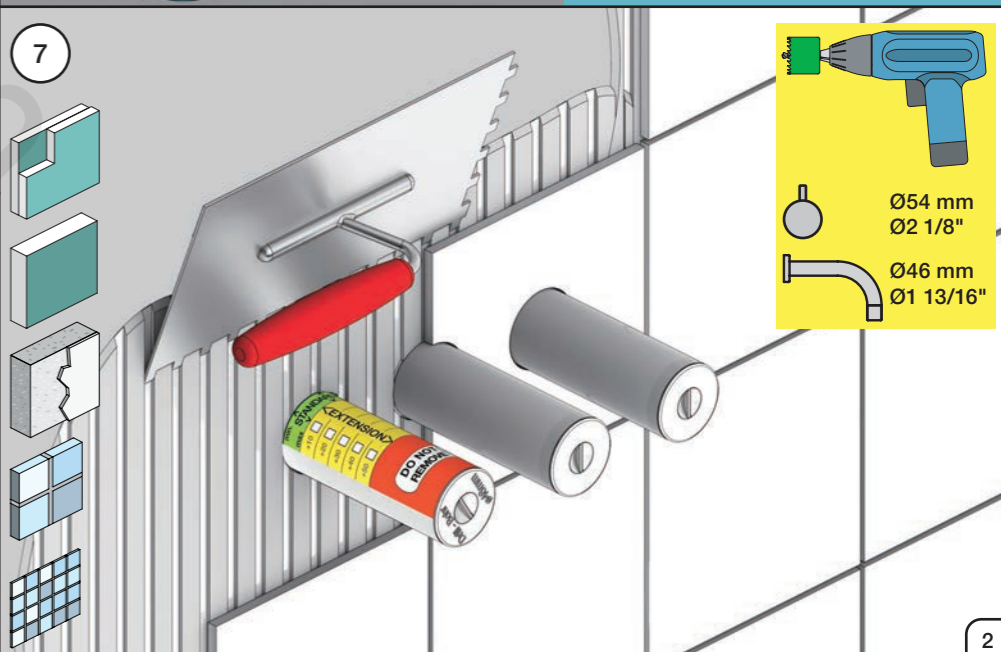
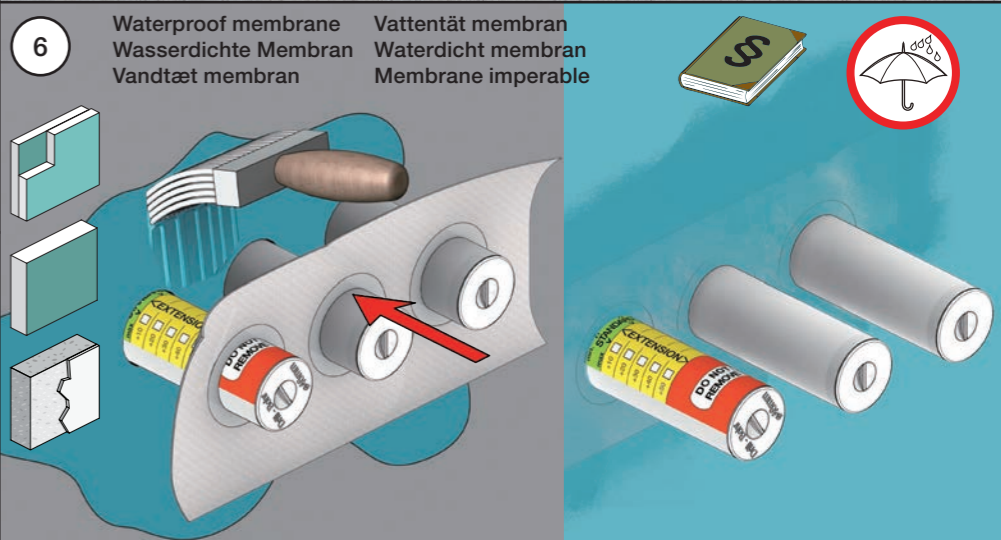
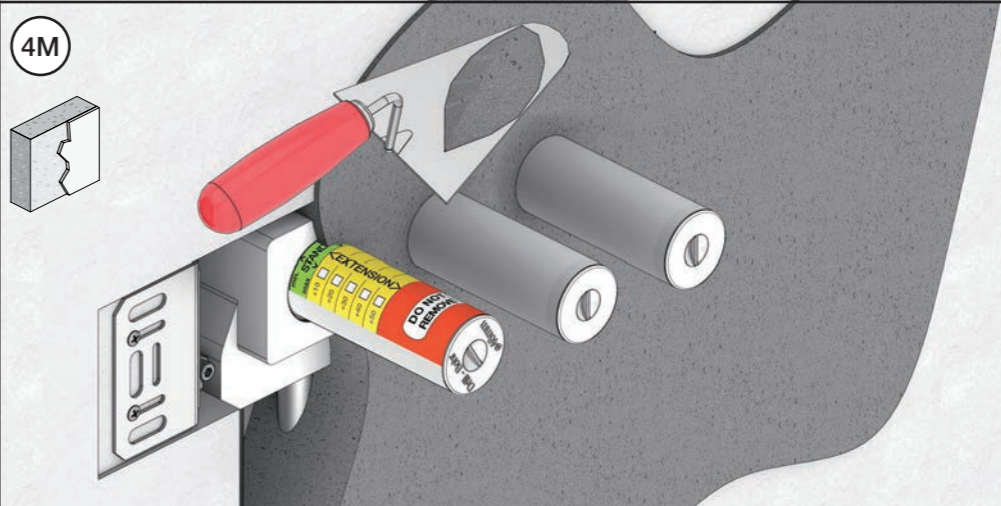
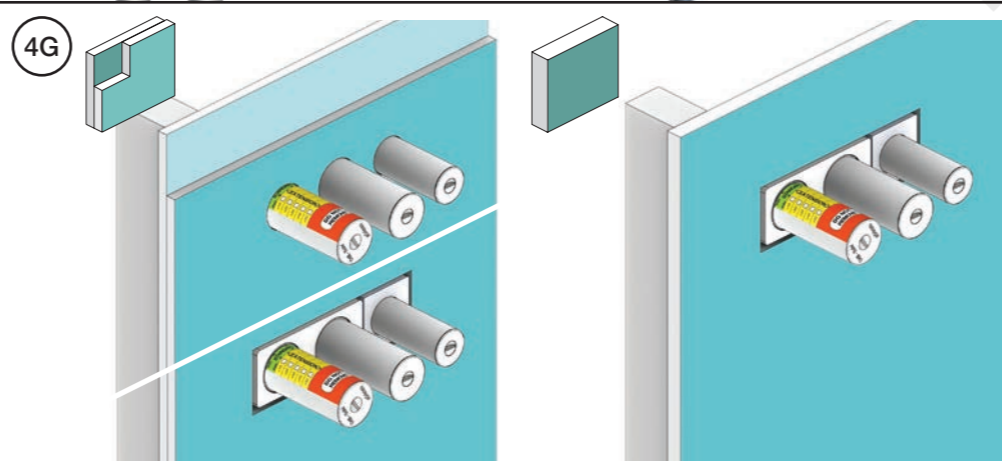
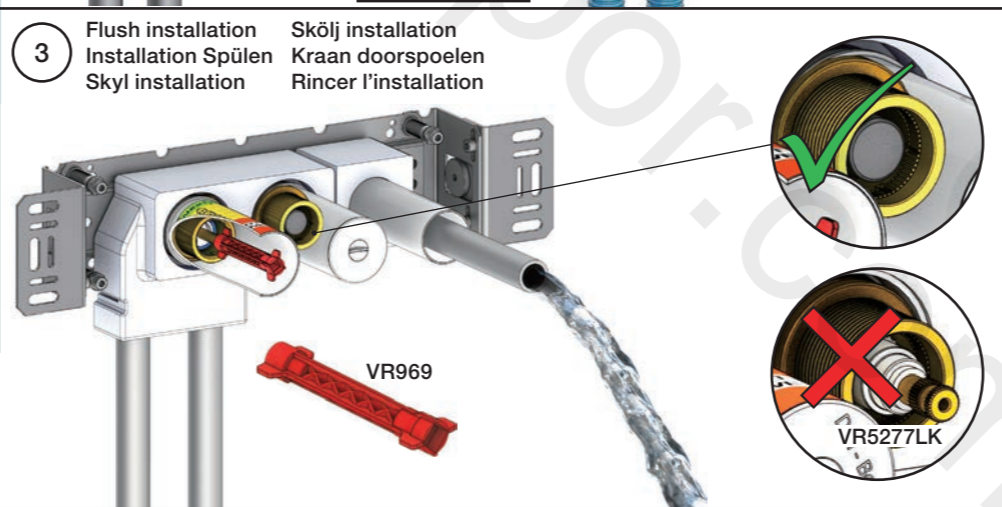
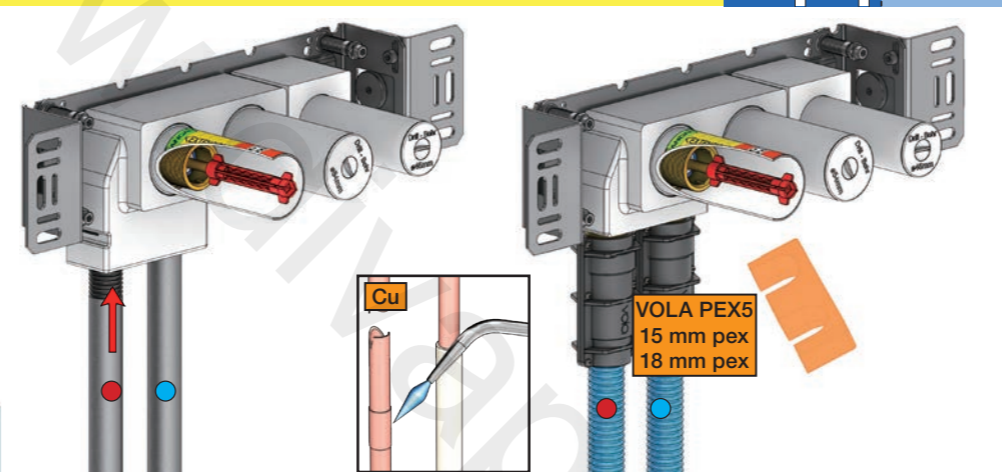
**2** Test Pressure  
 Prüfdruck  
 testtryk  
 Test tryk  
 Test druk  
 test de pression

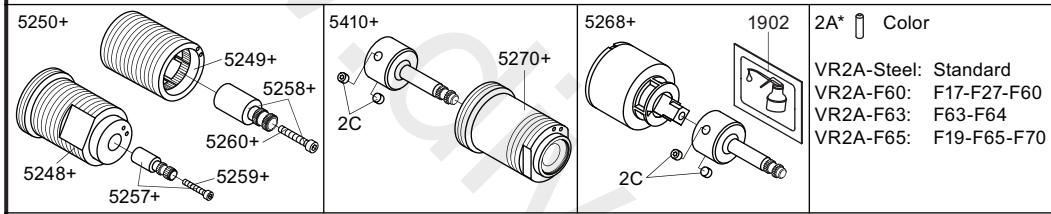
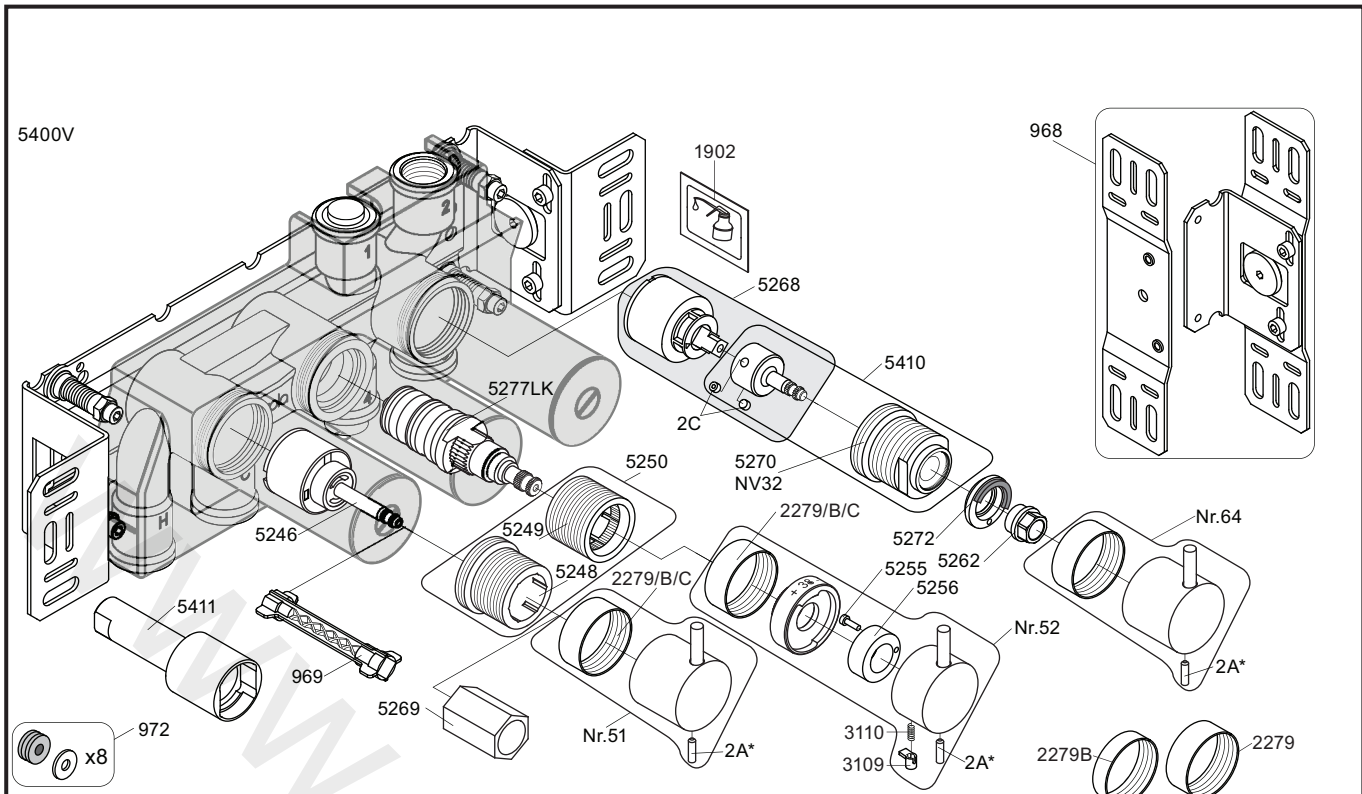
Check the local legislation.  
 Bitte die örtlichen Vorschriften überprüfen.  
 Tjek de lokale regler.  
 Kontrollera lokala föreskrifter.  
 Nazitten lokale regelgeving.  
 Vérifiez la législation locale.

**1.** MAX. 16 Bar  
 232 Psi

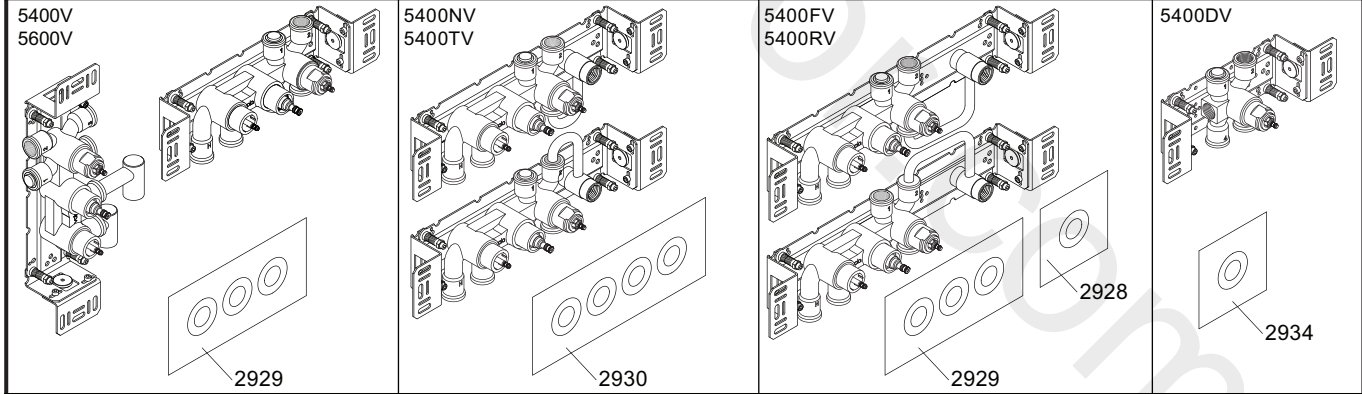
**2.** MAX. 4 Bar  
 58 Psi

**! Water - Wasser - Vand - Vatten - Water - Leau !**  
**! MAX 1 Minute - Minut - Minuut !**

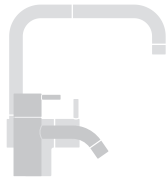




|          |  |
|----------|--|
| NR51:    | VR5251, VR2279+B+C, VR2A                                       |
| NR52:    | VR2A, VR5252, VR5253, VR5255, VR5256, VR2279+B+C, VR3113, VR2A |
| NR64:    | VR5251, VR2279+B+C, VR2A                                       |
| VR3113:  | VR3109, VR3110, VR5255   |
| VR5250+: | VR5248+, VR5249+, VR5257, VR5258, VR5259, VR5260               |
| VR5257+: | VR5257+, VR5259+   |
| VR5258+: | VR5258+, VR5260+   |
| VR5268+: | 2xVR2C, VR1902, VR5268   |
| VR5410+: | 2xVR2C, VR5270+  |



|        |             |             |      |
|--------|-------------|-------------|------|
| 5003B  | 5004B       | 5004L       |      |
| 3x2001 | 3x2001, 001 | 3x2001, 001 | 2001 |

|  |   |                          |
|--|---|--------------------------|
|  <p> <b>vola</b><br/>         Lunavej 2<br/>         DK-8700 Horsens<br/>         Tlf : + 45 7023 5500<br/>         sales@vola.com<br/>         www.vola.com       </p> | <h2>VOLA 5400V</h2> <p> <b>5400FV, 5400NV</b><br/> <b>5400RV, 5400TV</b><br/> <b>5600V</b> </p> | Date<br>May 22           |
|  |   | Rev.<br><b>5</b>         |
|  |   | Sheet<br><b>SB 10.54</b> |