

VOLA 5100, 5100X, 5200V, 5300  
 VOLA 5400DV, 5400V, 5400NV & A3/A4  
 VOLA 5400TV, 5400FV, 5400RV & A3/A4  
 VOLA 5600V & A3/A4



Fitting instruction  
 Montageanleitung  
 Monteringsvejledning

Monteringsvægledning  
 Montage hanleiding  
 Manuel de montage



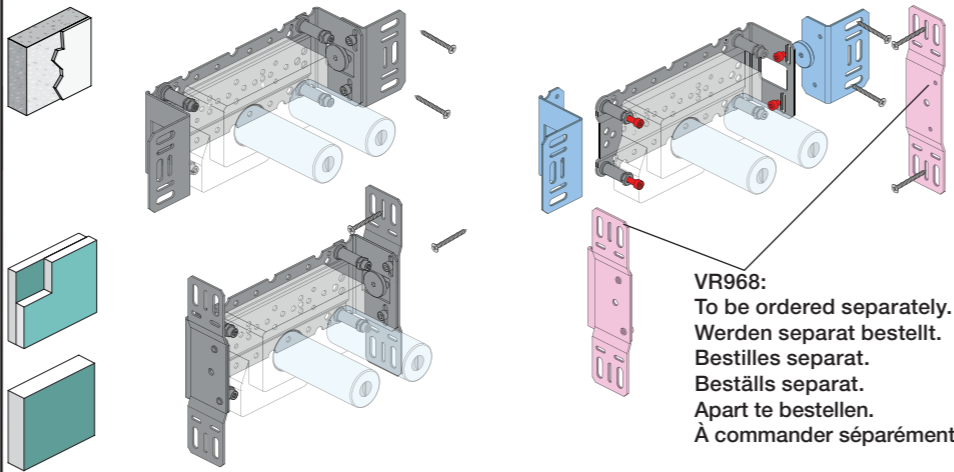
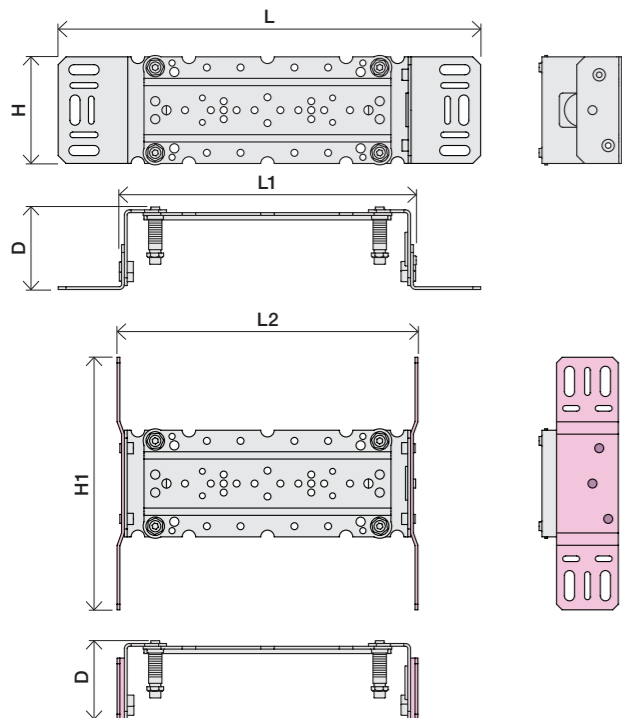
www.vola.com

5000\_V4\_40998504  
 04-01-2023

vola



|                                    | L                 | L1                | L2                | H               | H1               | D               |
|------------------------------------|-------------------|-------------------|-------------------|-----------------|------------------|-----------------|
| 5400DV                             | 377 mm<br>14 3/4" | 260 mm<br>10"     | 268 mm<br>10 1/2" | 95 mm<br>3 3/4" | 186 mm<br>7 3/8" | 70 mm<br>2 3/4" |
| 5100, 5200V, 5300,<br>5400V, 5600V | 475 mm<br>19 3/4" | 355 mm<br>14"     | 367 mm<br>14 1/2" |                 |                  |                 |
| 5100X, 5400NV, 5400TV              | 552 mm<br>21 3/4" | 435 mm<br>17"     | 447 mm<br>17 5/8" |                 |                  |                 |
| 5400FV, 5400RV                     | 630 mm<br>25 1/2" | 514 mm<br>20 3/8" | 522 mm<br>20 1/2" |                 |                  |                 |



VR968:  
 To be ordered separately.  
 Werden separat bestellt.  
 Bestilles separat.  
 Beställs separat.  
 Apart te bestellen.  
 À commander séparément.

**A** Max.: 10 Bar/145 psi  
 Max. 65°C, 150°F

USA - For use with showerheads rated at 5.7 L/min. (1.5 gpm.) or higher.

AUS - Hot water inlet: Max. 50°C, 122°F. (AS 4032)

Data, l/min. / (Gpm) 3 Bar/43.5 Psi:

5100/5200V/5300: A 5400/5600A3: A - C  
 5400/5600: A - B 5400/5600A4: A - D

| 5400<br>5600 | 5400A3<br>5600A3 | 5400A4<br>5600A4 | A        | M        | B        | M        | C        | M        | D        |
|--------------|------------------|------------------|----------|----------|----------|----------|----------|----------|----------|
| 2            | 2                | 2                | A        | M        | B        | M        | C        | M        | D        |
| 3            | 3                | 3                | 32/(8.5) | 16/(4.2) | -        | -        | -        | -        | -        |
| Out 2        | Out 1            | Out 1            | -        | -        | 32/(8.5) | 16/(4.2) | -        | -        | -        |
| Out 3        | Out 2            | Out 2            | -        | -        | -        | -        | 32/(8.5) | 16/(4.2) | -        |
| -            | Out 3            | Out 3            | -        | -        | -        | -        | -        | -        | 32/(8.5) |
| -            | -                | Out 4            | -        | -        | -        | -        | -        | -        | -        |

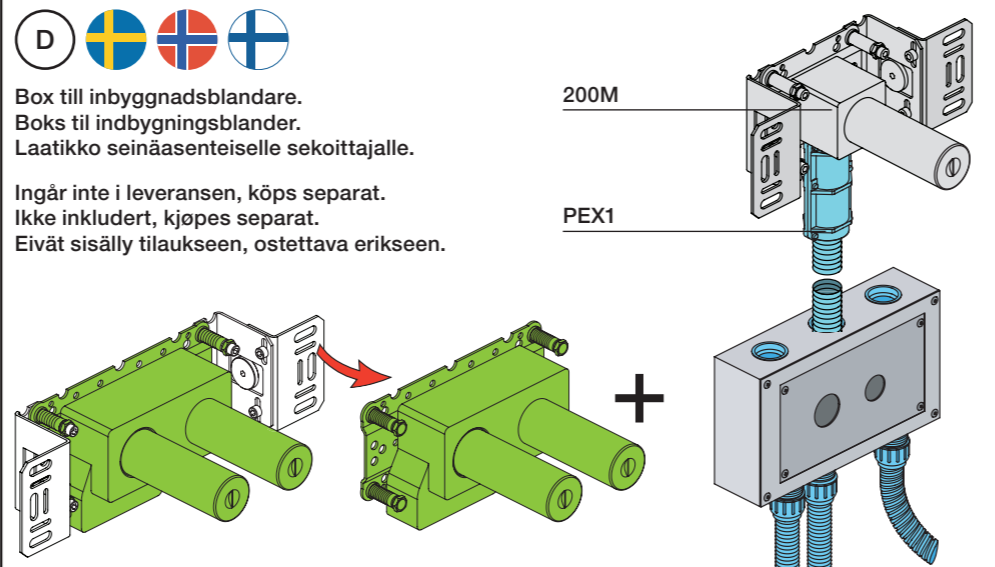
**B** Check the local legislation.  
 Bitte die örtlichen Vorschriften überprüfen.  
 Tjek de lokale regler.  
 Kontrollera lokala föreskrifter  
 Nazitten lokale regelgeving.  
 Vérifiez la législation locale.



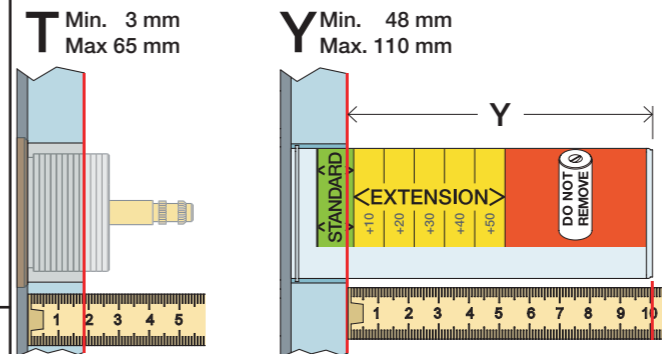
**C** DE: Bitte separat beiliegende Anleitung für die Schallentkopplung VR972 beachten

**D** Box till inbyggnadsblandare.  
 Boks til indbygningsblandere.  
 Laatikko seinäasenteiselle sekoittajalle.

Ingår inte i leveransen, köps separat.  
 Ikke inkludert, kjøpes separat.  
 Eivät sisälly tilaukseen, ostettava erikseen.

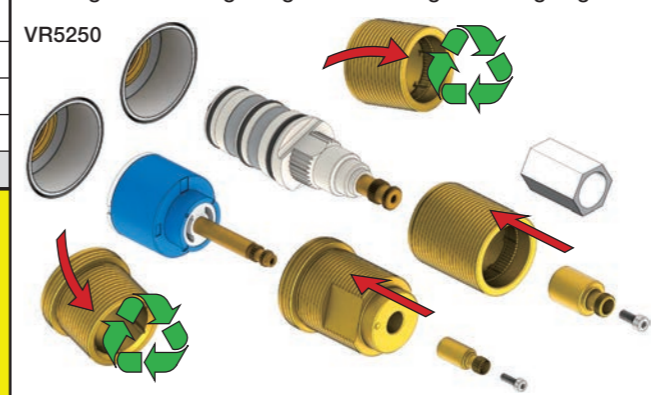


Extension  
 Verlängerung  
 Forlængerdele  
 Förlängning  
 Aanpassing  
 Modification

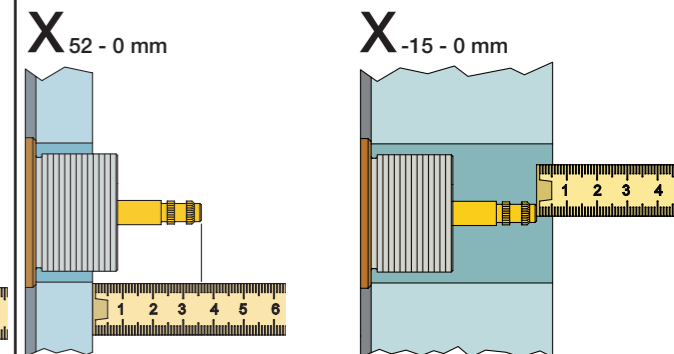


|            | T           | Y    | VR5250/VR5410/VR2019 |
|------------|-------------|------|----------------------|
| 3 - 15 mm  | 110 - 98 mm | Std. |                      |
| 15 - 25 mm | 98 - 88 mm  | +10  |                      |
| 25 - 35 mm | 88 - 78 mm  | +20  |                      |
| 35 - 45 mm | 78 - 68 mm  | +30  |                      |
| 45 - 55 mm | 68 - 58 mm  | +40  |                      |
| 55 - 65 mm | 58 - 48 mm  | +50  |                      |

Fitting of extension  
 Montage von verlängerung  
 Montering af forlængerdele  
 Montering av förlängning

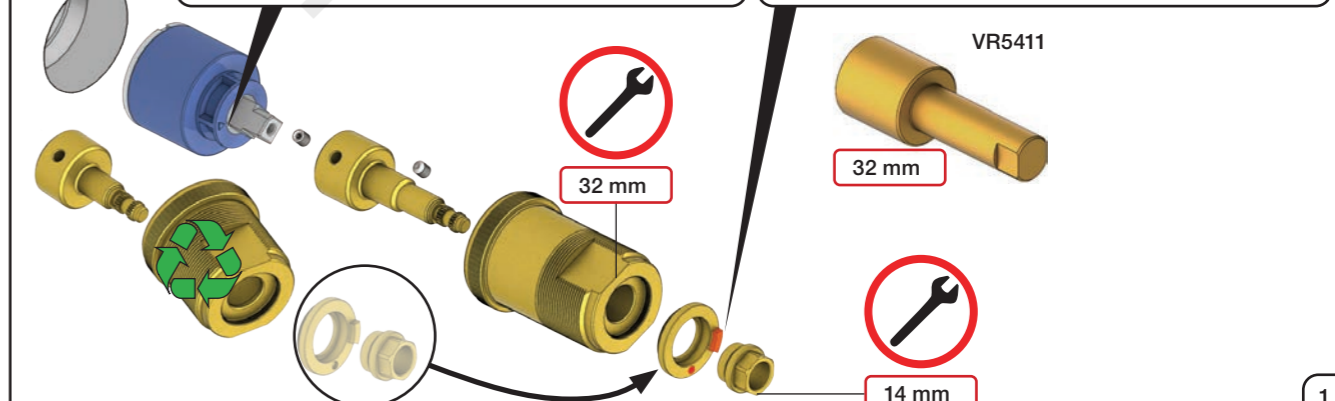
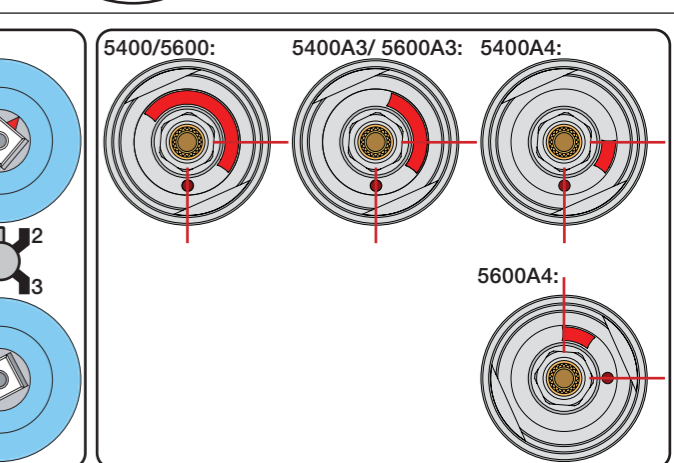
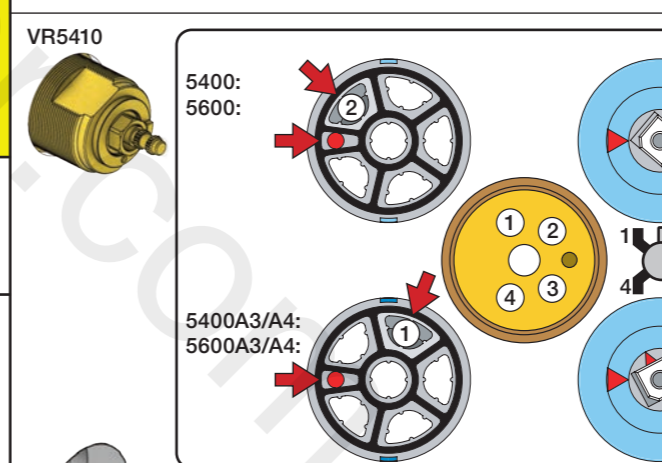
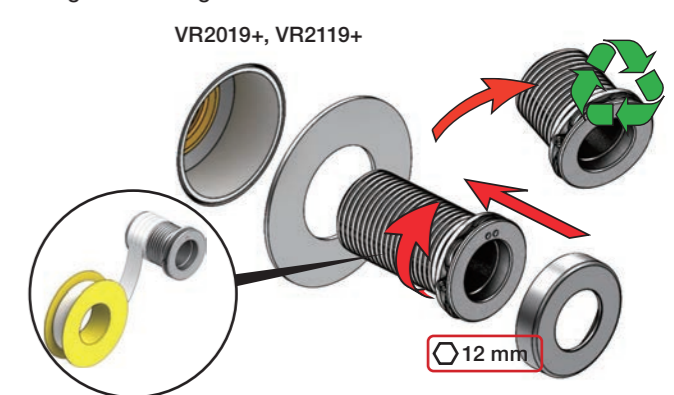


Extension, retrofit  
 Verlängerung, nachträglicher Einbau  
 Forlængerdele, eftermontering  
 Förlängning, eftermontering  
 Aanpassing na montage  
 Modification après installation



|             | X    | VR5250/VR5410/VR2019 |
|-------------|------|----------------------|
| 37 - 49 mm  | Std. |                      |
| 27 - 37 mm  | +10  |                      |
| 17 - 27 mm  | +20  |                      |
| 7 - 17 mm   | +30  |                      |
| -3 - 7 mm   | +40  |                      |
| -13 - -3 mm | +50  |                      |

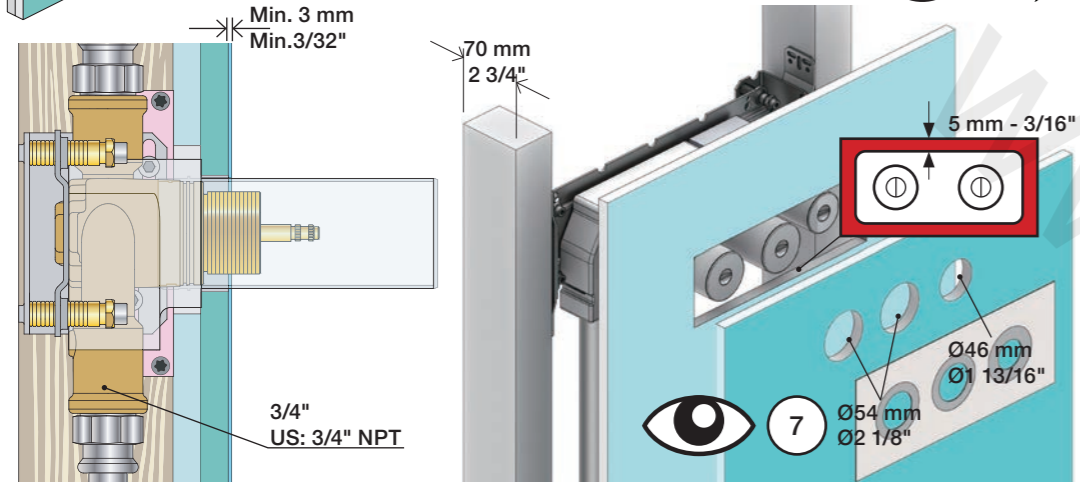
Montage van de verlengstukken  
 Montage des rallonges





**2x13 mm** Lightweight wall  
 Leichtwand  
 Let væg

Lätta konstruktion  
 Holle wandconstructie  
 Construction légère



**1x15 mm**  
**1x18 mm**  
**1x20 mm**

Lightweight wall  
 Leichtwand  
 Let væg

Lätta konstruktion  
 Holle wandconstructie  
 Construction légère



Masonry  
 Mauerwerk  
 Murverk

Murverk  
 Massieve wand  
 Mur Plein



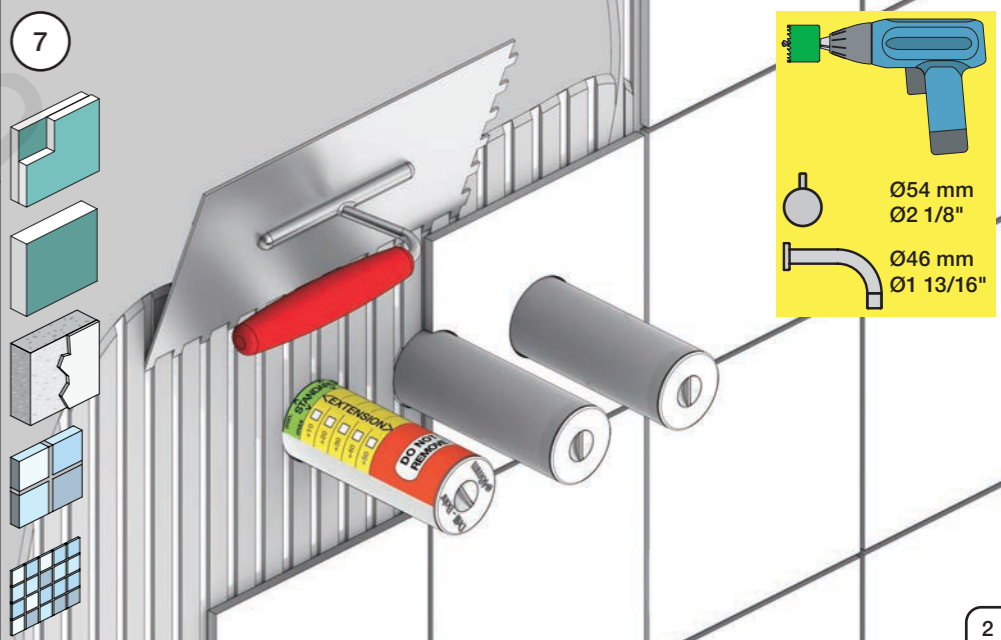
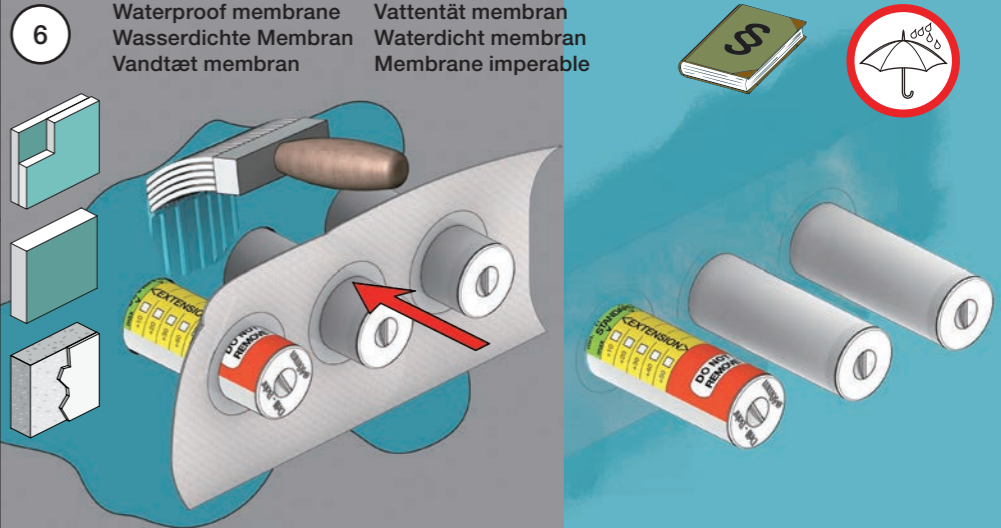
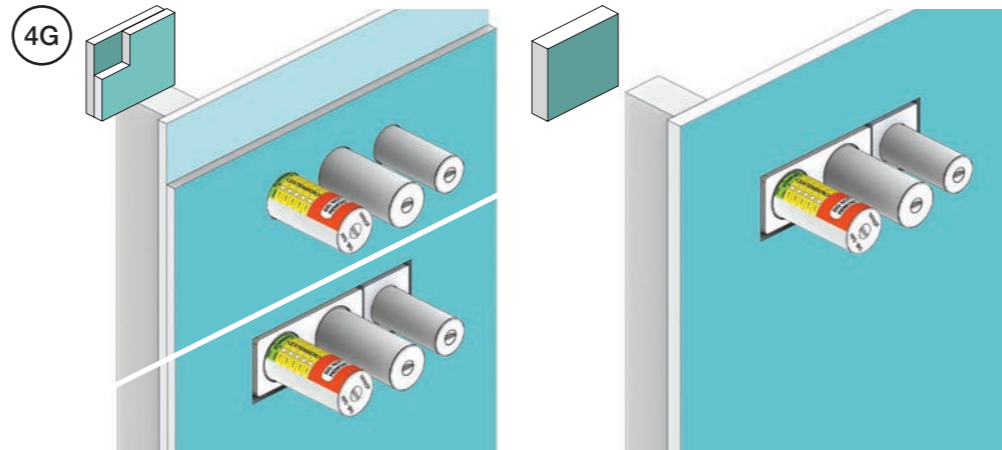
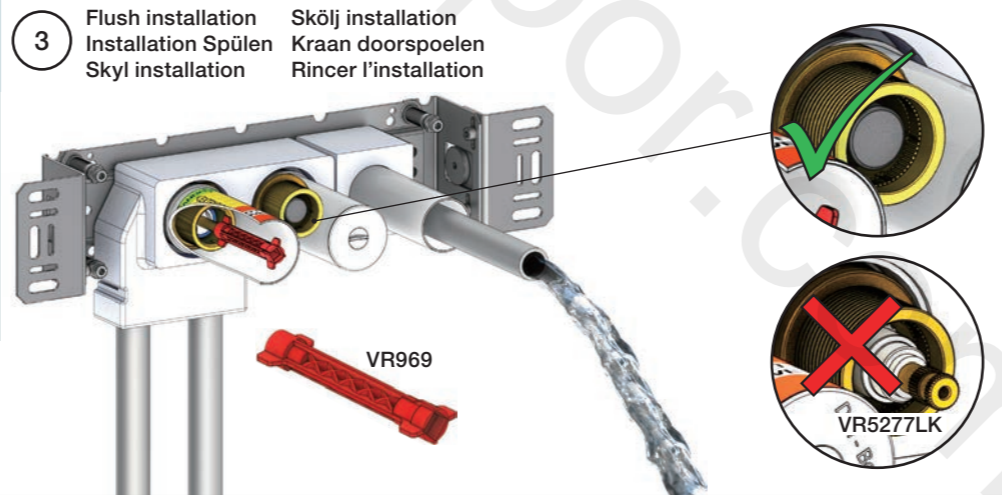
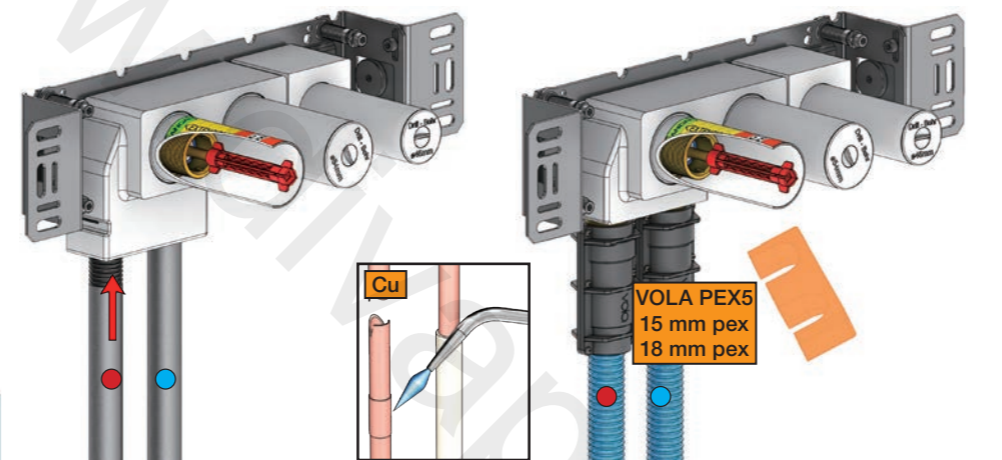
**2** Test Pressure  
 Prüfdruck  
 testtryk  
 Test tryk  
 Test druk  
 test de pression

Check the local legislation.  
 Bitte die örtlichen Vorschriften überprüfen.  
 Tjek de lokale regler.  
 Kontrollera lokala föreskrifter.  
 Nazitten lokale regelgeving.  
 Vérifiez la législation locale.

**1.** MAX. 16 Bar  
 232 Psi

**2.** MAX. 4 Bar  
 58 Psi

**! Water - Wasser - Vand - Vatten - Water - Leau !**  
**! MAX 1 Minute - Minut - Minuut !**

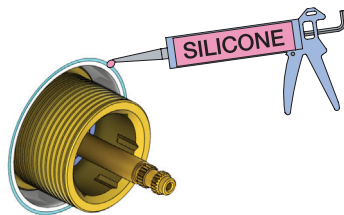
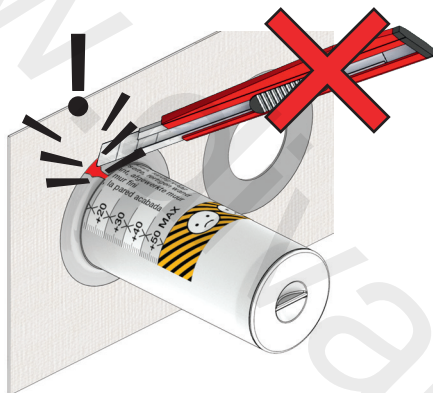


**Do not cut the membrane  
Die Membran nicht schneiden  
Skær ikke membranen  
Skär inte membranet  
Snij het membraan niet door  
Ne coupez pas la membrane  
No cortar la membrana**

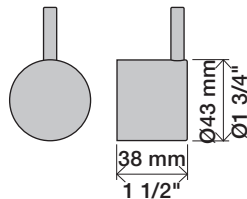
NR.51:



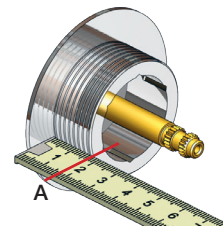
NR.52+64:



NR 51



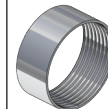
NR 51 - 1



VR2279

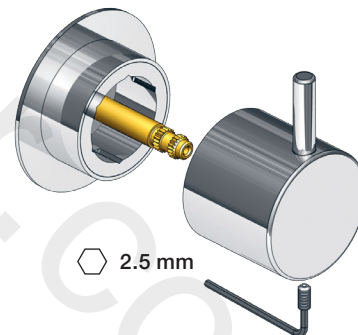
VR2279B

VR2279C

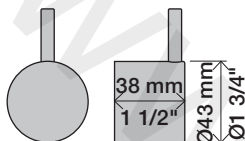


|         | A     |            |
|---------|-------|------------|
| VR2279  | 16 mm | 16 - 22 mm |
| VR2279B | 12 mm | 12 - 18 mm |
| VR2279C | 8 mm  | 8 - 15 mm  |

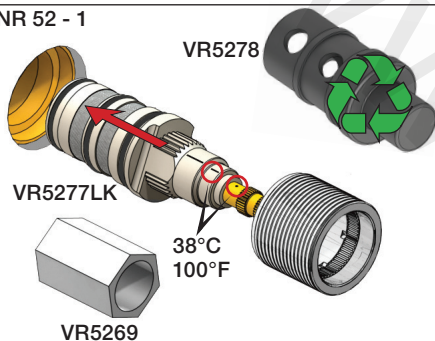
NR 51 - 2



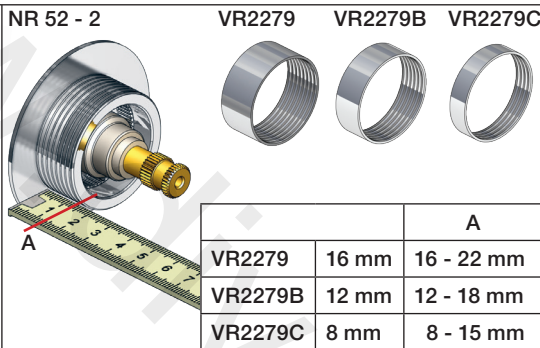
NR 52



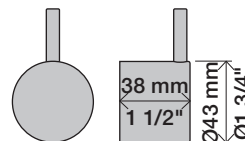
NR 52 - 1



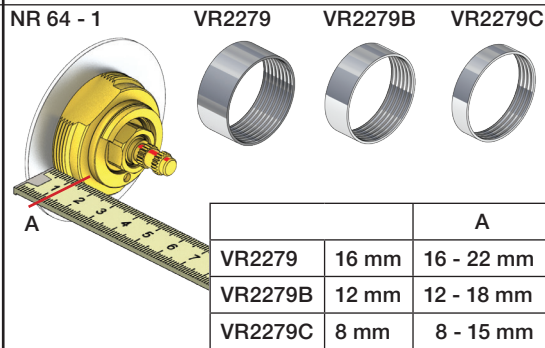
NR 52 - 2



NR 64

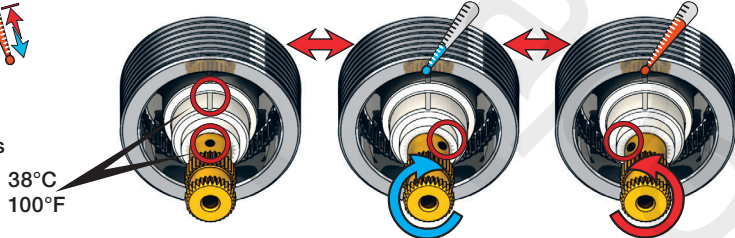


NR 64 - 1

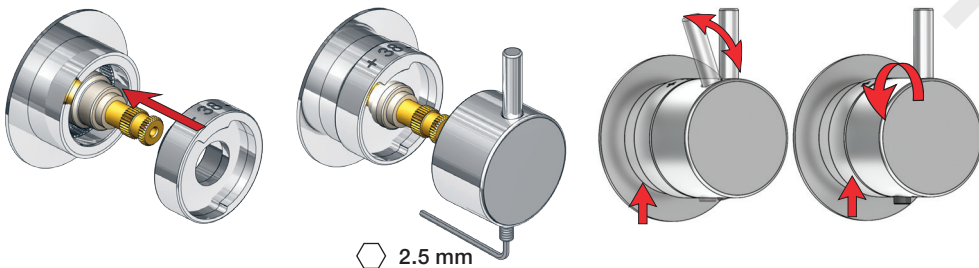


NR 52 - 3

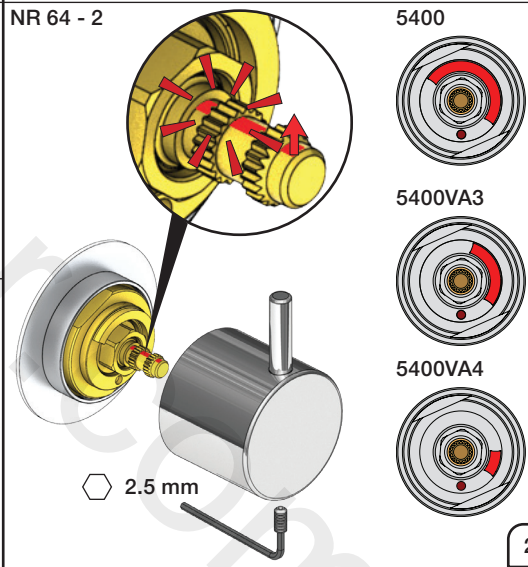
Anti scald settings  
 Verbrühschutz  
 Skoldningssikring  
 Skållnings skydd  
 Broeien verzekeringen  
 Prévention des brûlures

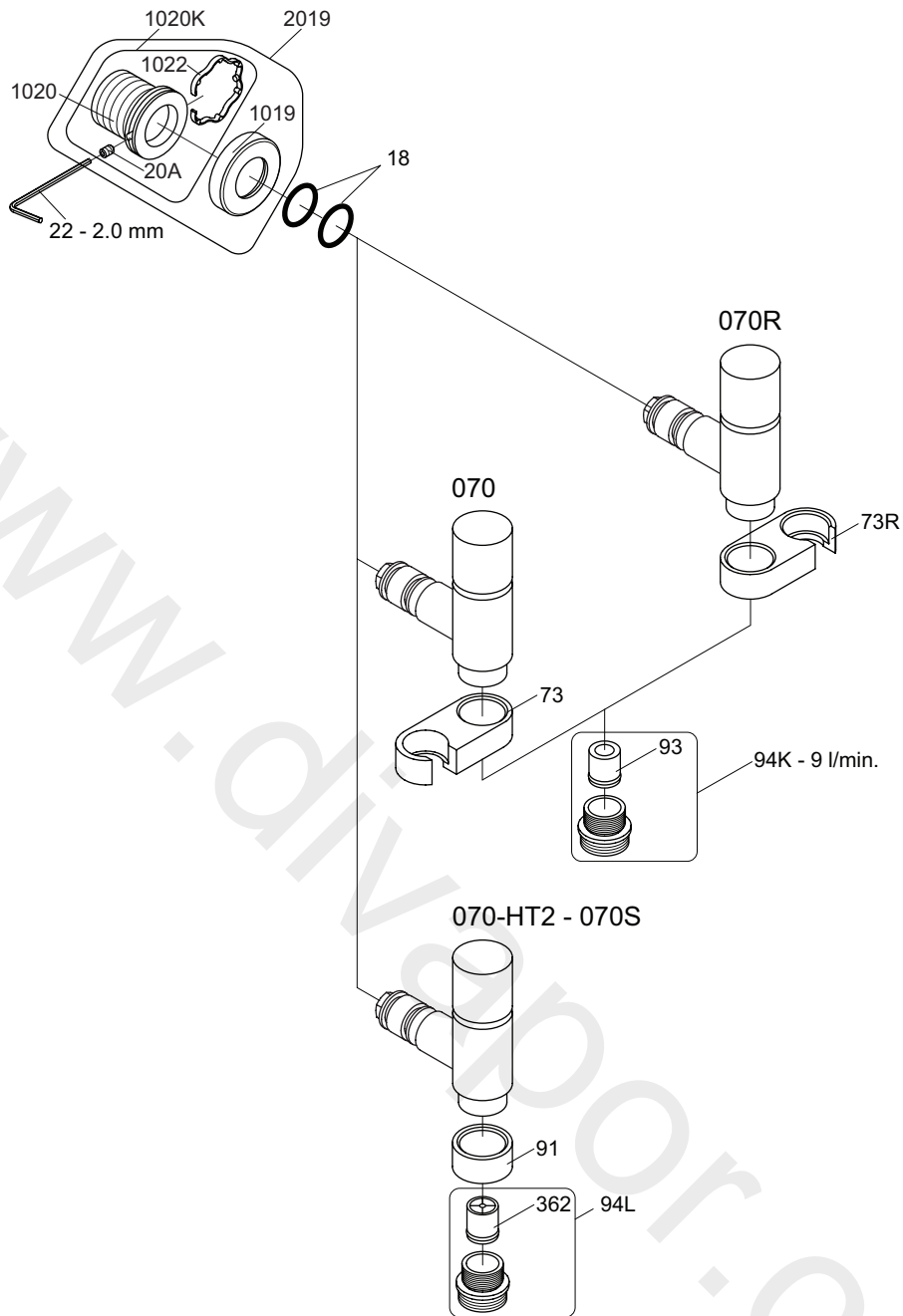


NR 52 - 4

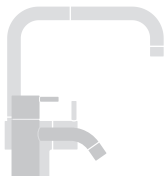


NR 64 - 2





VR1020K: VR20A, VR22, VR1020, VR1022  
 VR2019: VR20A, VR22, VR1019, VR1020, VR1022



**vola**  
 Lunavej 2  
 DK-8700 Horsens  
 Tlf : + 45 7023 5500  
 sales@vola.com  
 www.vola.com

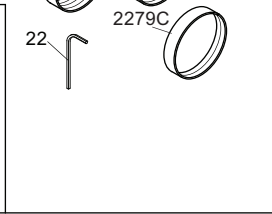
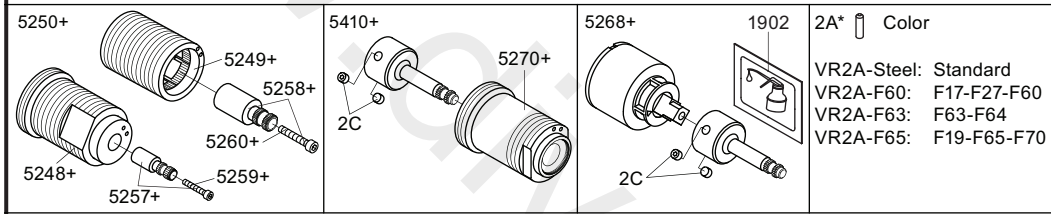
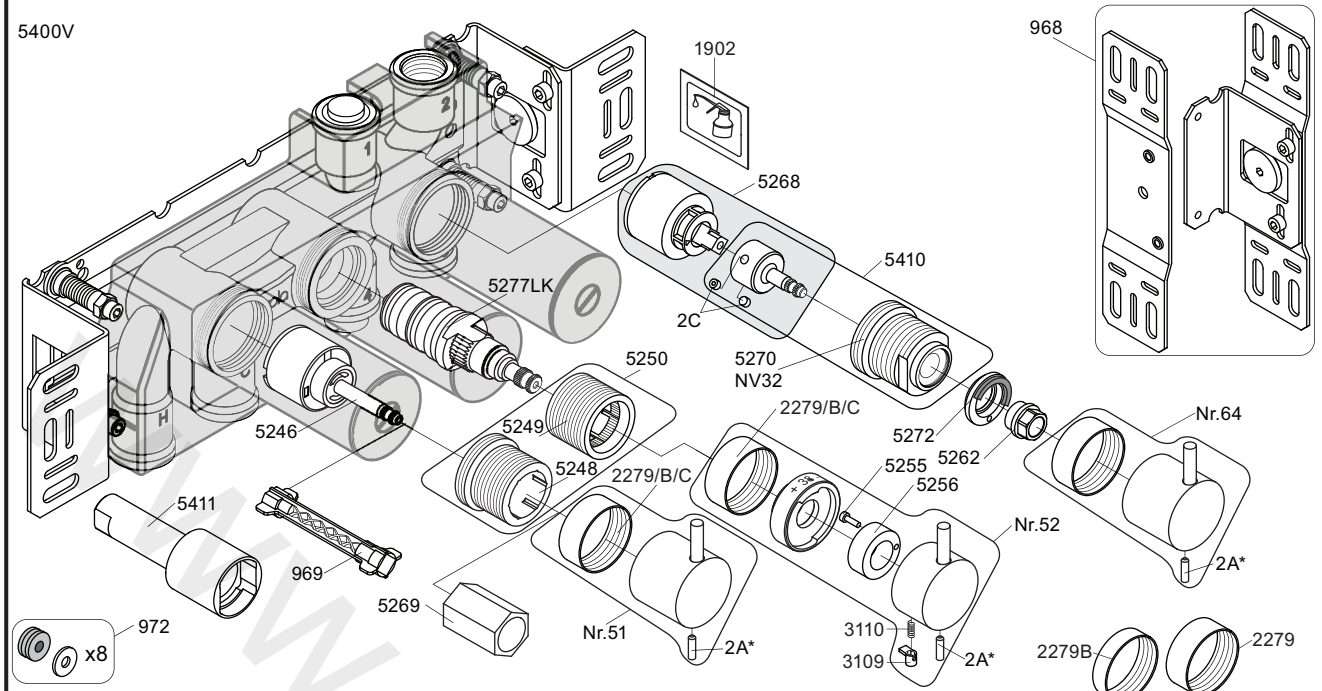
## VOLA 070, 070R 070-HT2

Date  
 Apr. 21

Rev.  
 5

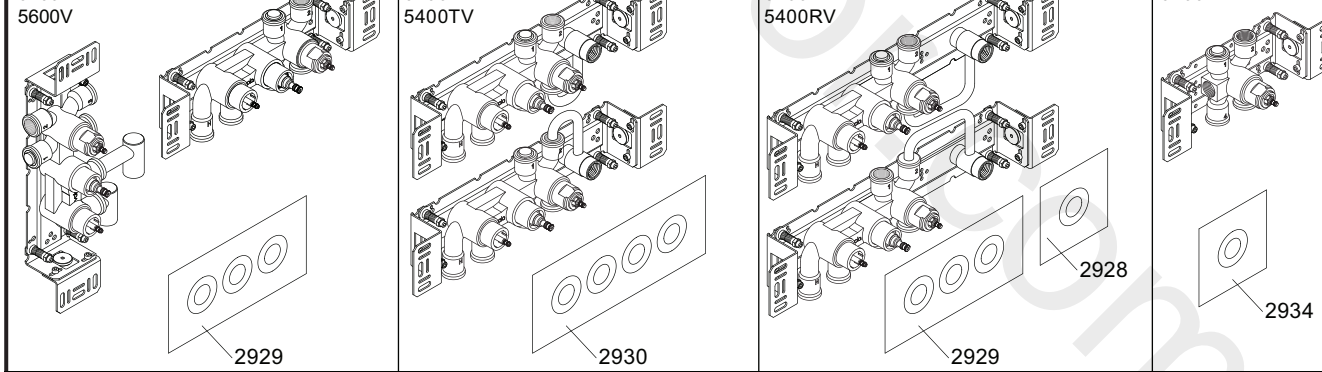
Sheet  
 SB 16

5400V



|                            |       |       |      |   |
|----------------------------|-------|-------|------|---|
| 5250+                      | 5410+ | 5268+ | 1902 | 2A* Color   |
|                            |       |       |      | VR2A-Steel: Standard<br>VR2A-F60: F17-F27-F60<br>VR2A-F63: F63-F64<br>VR2A-F65: F19-F65-F70 |
| 5248+, 5257+, 5258+, 5259+ | 5270+ |       |      |   |

NR51: VR5251, VR2279+B+C, VR2A  
 NR52: VR2A, VR5252, VR5253, VR5255, VR5256, VR2279+B+C, VR3113, VR2A  
 NR64: VR5251, VR2279+B+C, VR2A  
 VR3113: VR3109, VR3110, VR5255  
 VR5250+: VR5248+, VR5249+, VR5257, VR5258, VR5259, VR5260  
 VR5257+: VR5257+, VR5259+  
 VR5258+: VR5258+, VR5260+  
 VR5268+: 2xVR2C, VR1902, VR5268  
 VR5410+: 2xVR2C, VR5270+



|               |                    |                    |             |
|---------------|--------------------|--------------------|-------------|
| <p>5003B</p>  | <p>5004B</p>       | <p>5004L</p>       | <p>2001</p> |
| <p>3x2001</p> | <p>3x2001, 001</p> | <p>3x2001, 001</p> | <p>2001</p> |

|   |  |                   |
|---|--|-------------------|
| <p><b>vola</b><br/>Lunavej 2<br/>DK-8700 Horsens<br/>Tlf : + 45 7023 5500<br/>sales@vola.com<br/>www.vola.com</p> | <p><b>VOLA 5400V</b><br/>5400FV, 5400NV<br/>5400RV, 5400TV<br/>5600V</p> | Date<br>May 22    |
|   |  | Rev.<br>5         |
|   |  | Sheet<br>SB 10.54 |