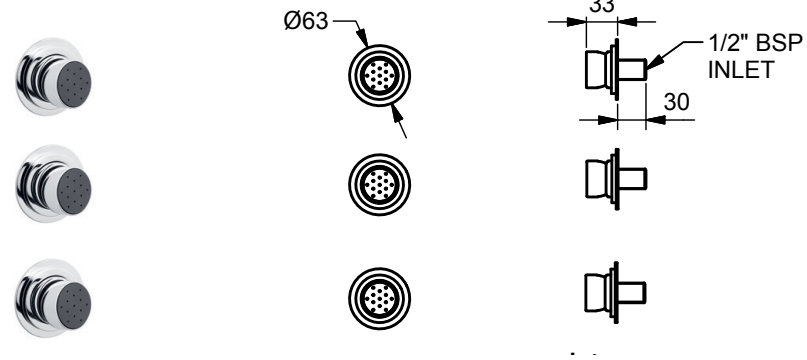


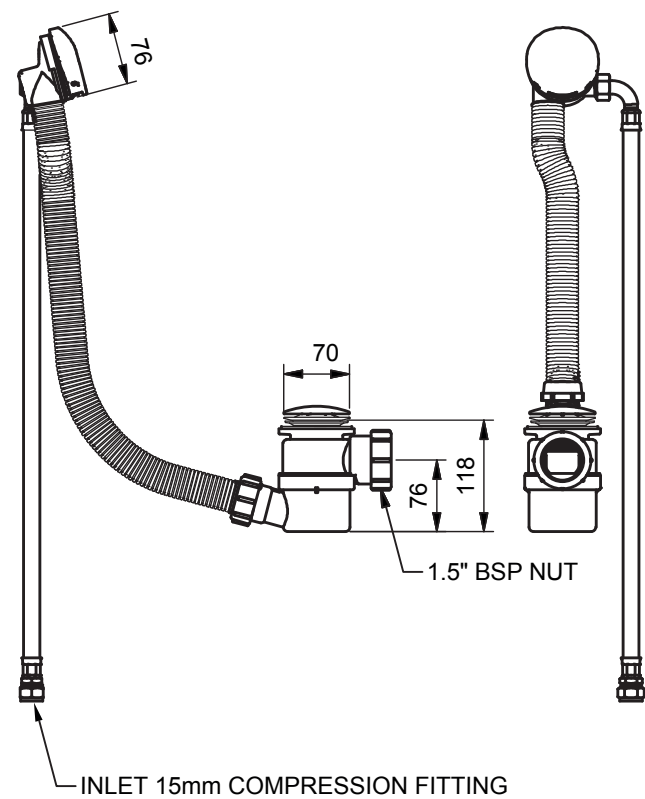
6170
Bodyjet Set of Three



Models	Plumbing Information	Materials
--------	----------------------	-----------

6170 Without Plate	Inlets 1/2 inch	Brass, ABS
6175 With Plate		

6180
Bath Filler with Push Down Click Waste



Plumbing Information	Materials
----------------------	-----------

Inlet 15mm compression	Brass
------------------------	-------

Flow Rate Information	
-----------------------	--

0.5 bar	33.00 L/min
1.0 bar	44.00 L/min
3.0 bar	65.00 + L/min