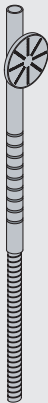


Fitting instruction
 Montageanleitung
 Monteringsvejledning
 Monteringsvægledning
 Montage hanleiding
 Manuel de montage



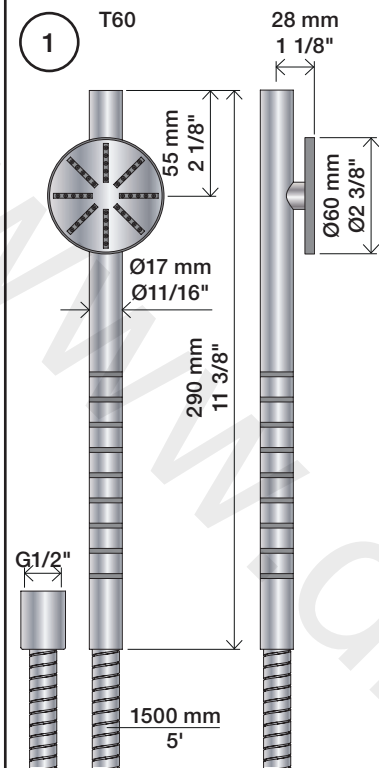
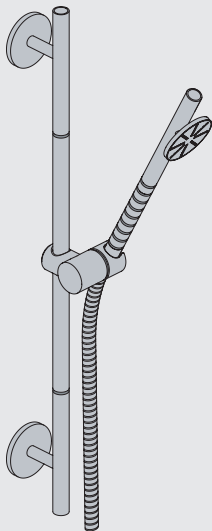
T60:



T68:



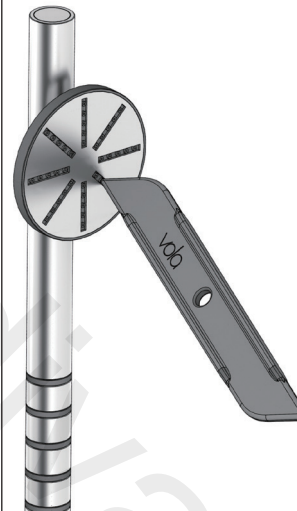
T65:



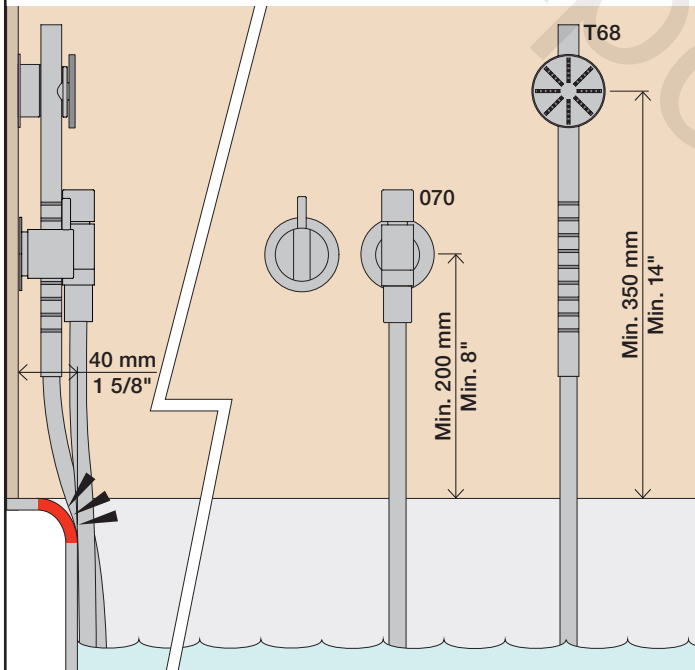
Data	Bar:	1	2	3	4	5
T60	(l/min) (Gal/min)	6.9 1.8	9.8 2.6	12 3.2	14 3.7	15 4.1
Max. 65°C. 150°F						

USA:
 Max. flow rate:
 1.6 Gal/min
 6.0 l/min.

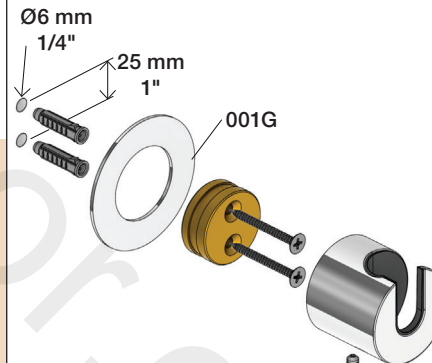
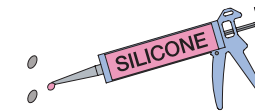
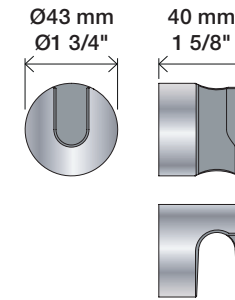
Service - VR556



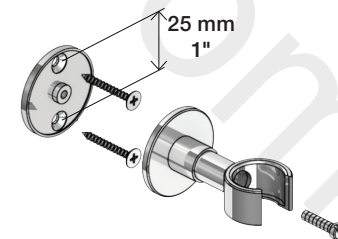
Bathtub
 Badewanne
 Badekar
 Badkar
 Badkuip
 Baignoire



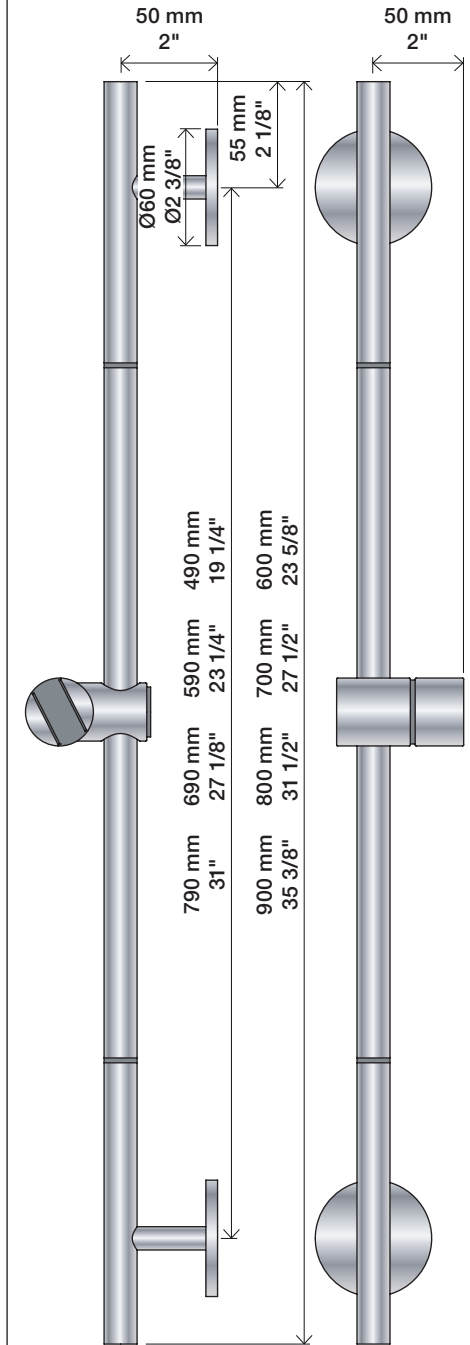
2 T68



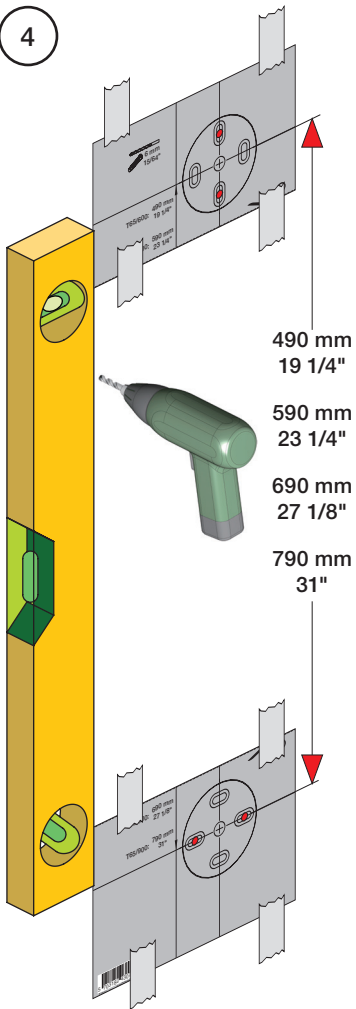
T8 → T68



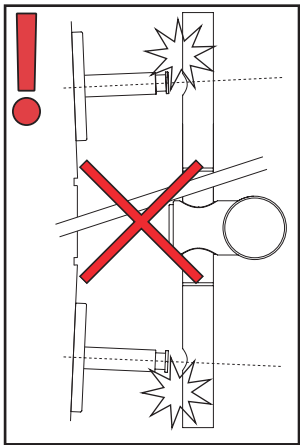
3 T65



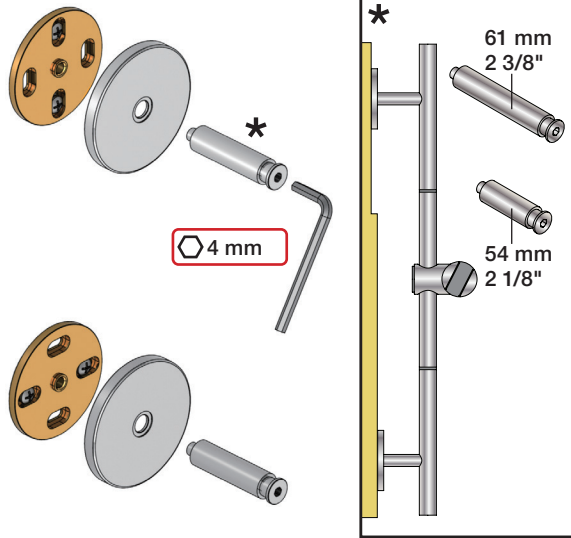
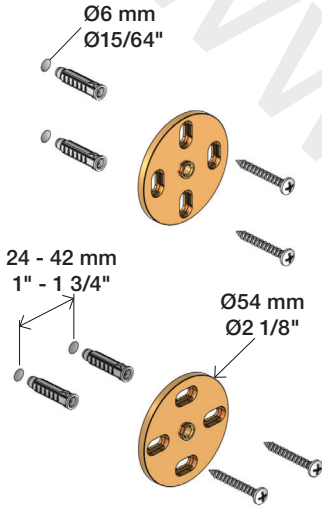
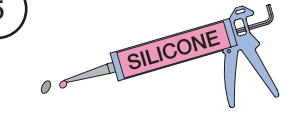
4



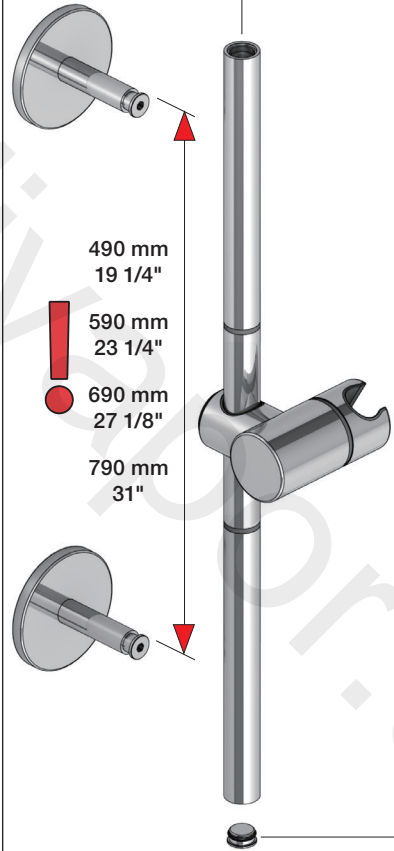
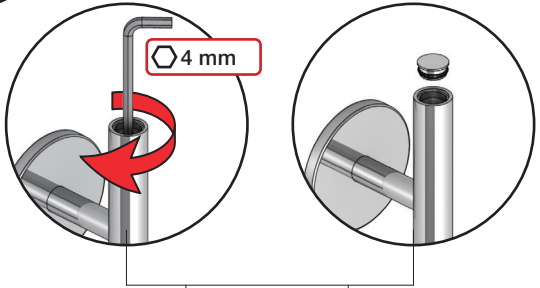
490 mm
19 1/4"
590 mm
23 1/4"
690 mm
27 1/8"
790 mm
31"



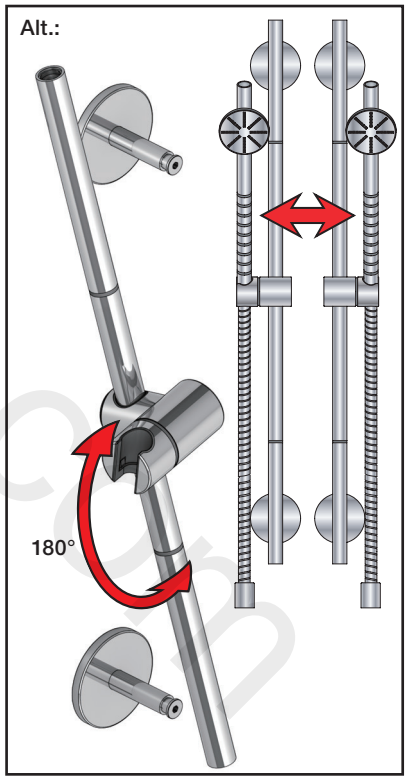
5



6



490 mm
19 1/4"
590 mm
23 1/4"
690 mm
27 1/8"
790 mm
31"

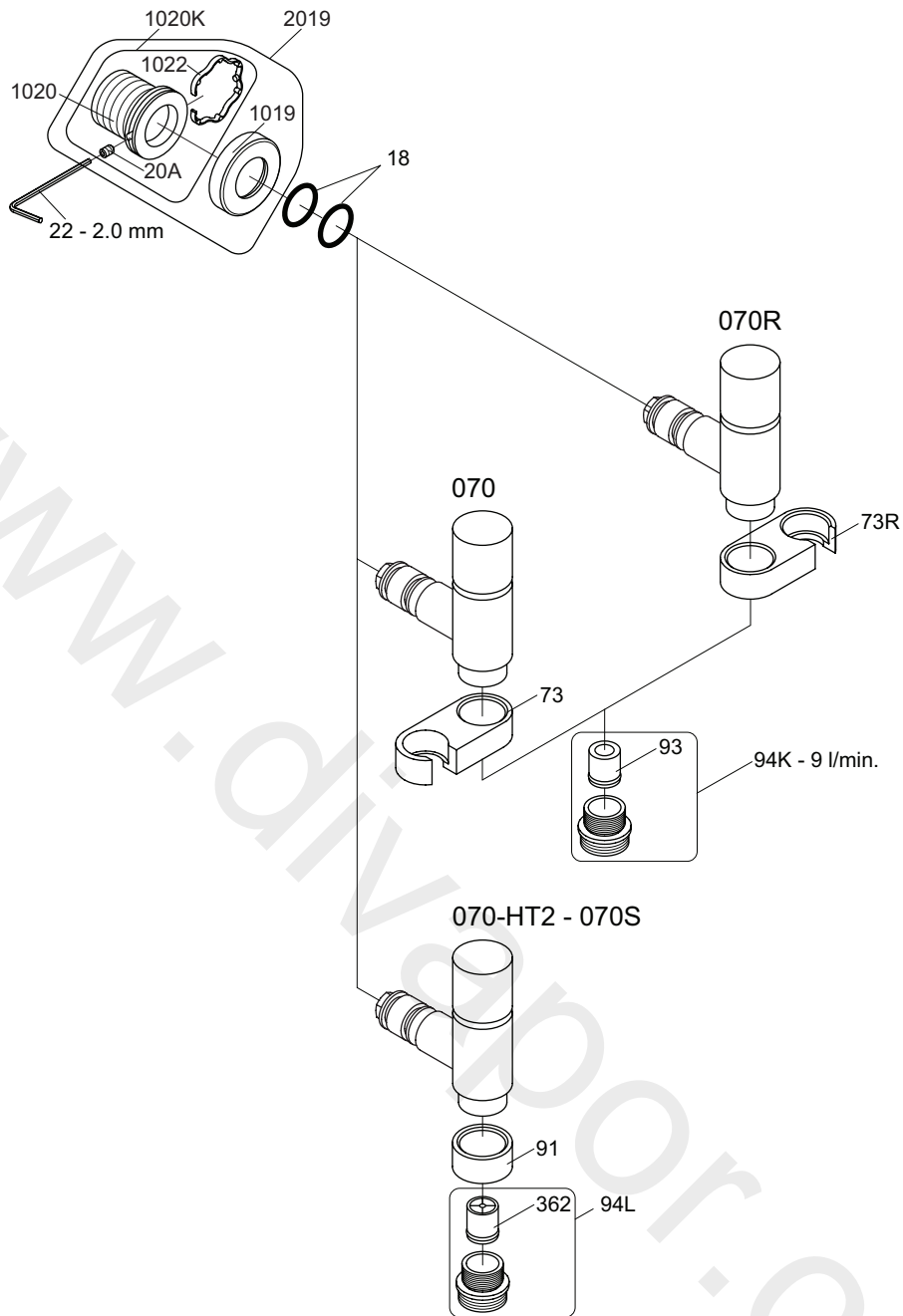


7



8





VR1020K: VR20A, VR22, VR1020, VR1022
 VR2019: VR20A, VR22, VR1019, VR1020, VR1022



vola
 Lunavej 2
 DK-8700 Horsens
 Tlf : + 45 7023 5500
 sales@vola.com
 www.vola.com

VOLA 070, 070R 070-HT2

Date
 Apr. 21

Rev.
 5

Sheet
 SB 16