

# AQUALISA

## AQUAVALVE 700 THERMO CONCEALED MIXER SHOWER

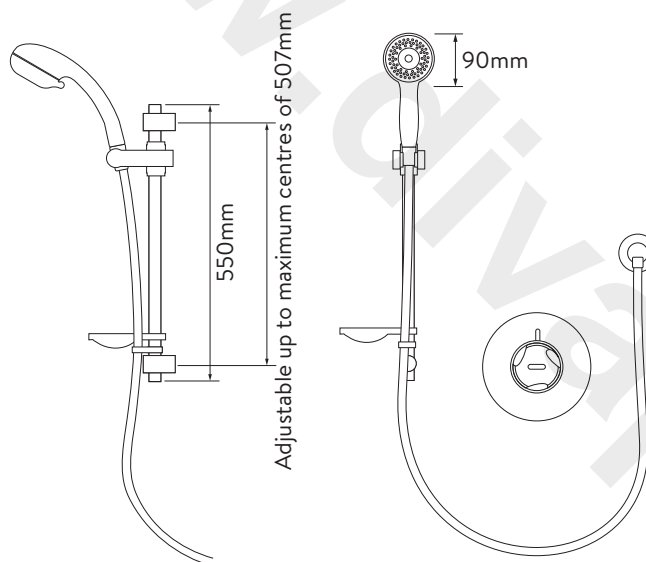
700.50.01

CHROME

### DIMENSIONAL DRAWINGS

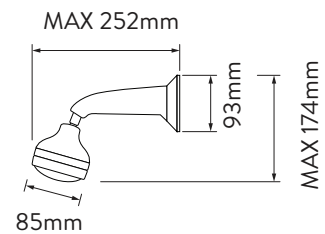
(The above SKU doesn't come with the heads shown as standard)

#### ADJUSTABLE HEAD

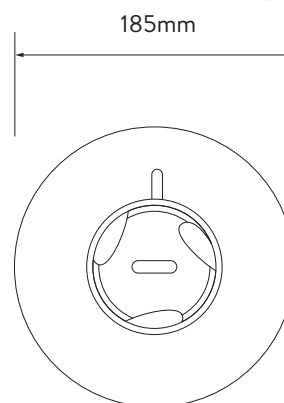
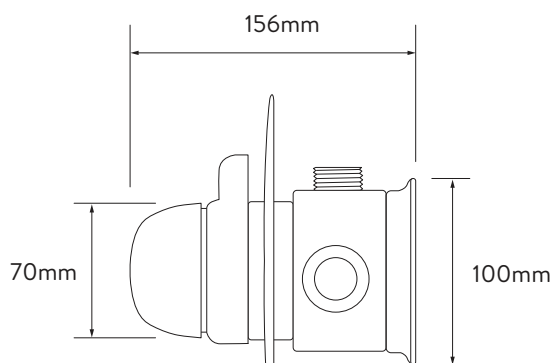


99.40.01 (VARISPRAY)  
99.20.01 (TURBOSTREAM)

#### FIXED HEAD



99.50.01 (VARISPRAY)  
99.30.01 (TURBOSTREAM)



Distance from back face of valve to finished wall surface  
(includes 10mm allowance for tiles) MIN 68mm, MAX 82mm

# AQUALISA

## AQUAVALVE 700 THERMO CONCEALED MIXER SHOWER

700.50.01

CHROME

---

### TECHNICAL SPECIFICATIONS

Minimum pressure requirements	0.1 bar
Maximum pressure requirements	10 bar
Inlet fitting connections	3/4" BSP inlet threads
Inlet supply positions	Hot/left, cold/right
Outlet connections	3/4" BSP outlet thread
Supply temperature	5 - 20°C Cold Supply 55 - 65°C Hot Supply
Water system	Gravity, Boosted Gravity, Combi and Balanced High Pressure
Features	Quality, solid brass shower valve
	Choice of varispray or turbostream height adjustable or fixed shower head with multiple spray patterns
	Accessorise by adding body-jets
	Maximum temperature can be set at installation
Colour	Chrome
Guarantee period	3-year guarantee (valve)
	2-year guarantee (head and kit)