

**Novus Loop**  
**Single lever bath mixer for exposed installation**  
 Finish: **Chrome** Article Number: **71340000**



### Description

**product features**

- 2 functions
- projection: 192 mm
- centre distance: 150 ± 12 mm
- spray type mixer: normal spray
- flow rate for bath spout at 3 bar: 19 l/min
- flow rate of hand shower at 3 bar: 16 l/min
- ceramic cartridge
- temperature limitation adjustable
- diverter with automatic resetting
- non-return valve
- with silencer
- suitable for continuous flow water heaters
- connection dimension: DN15
- connection type: s-shaped connections
- wall-mounted
- min. operating pressure: 1 bar
- max. operating pressure: 10 bar

### Technology



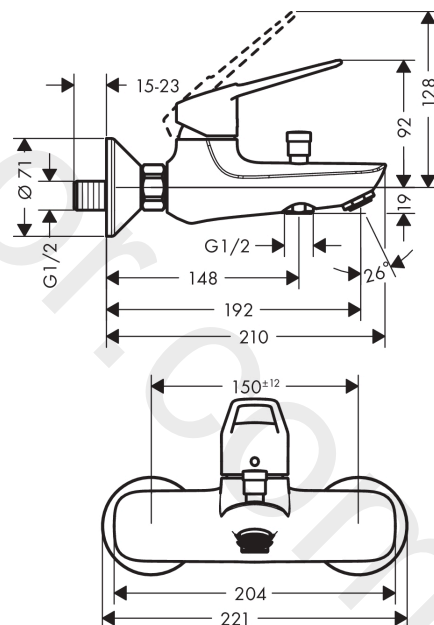
### Certificates / Sustainability



### Product image



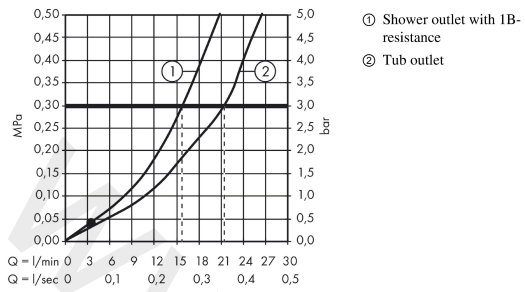
### Scale drawing



**Novus Loop**  
**Single lever bath mixer for exposed installation**  
 Finish: **Chrome** Article Number: **71340000**



**Flowchart**

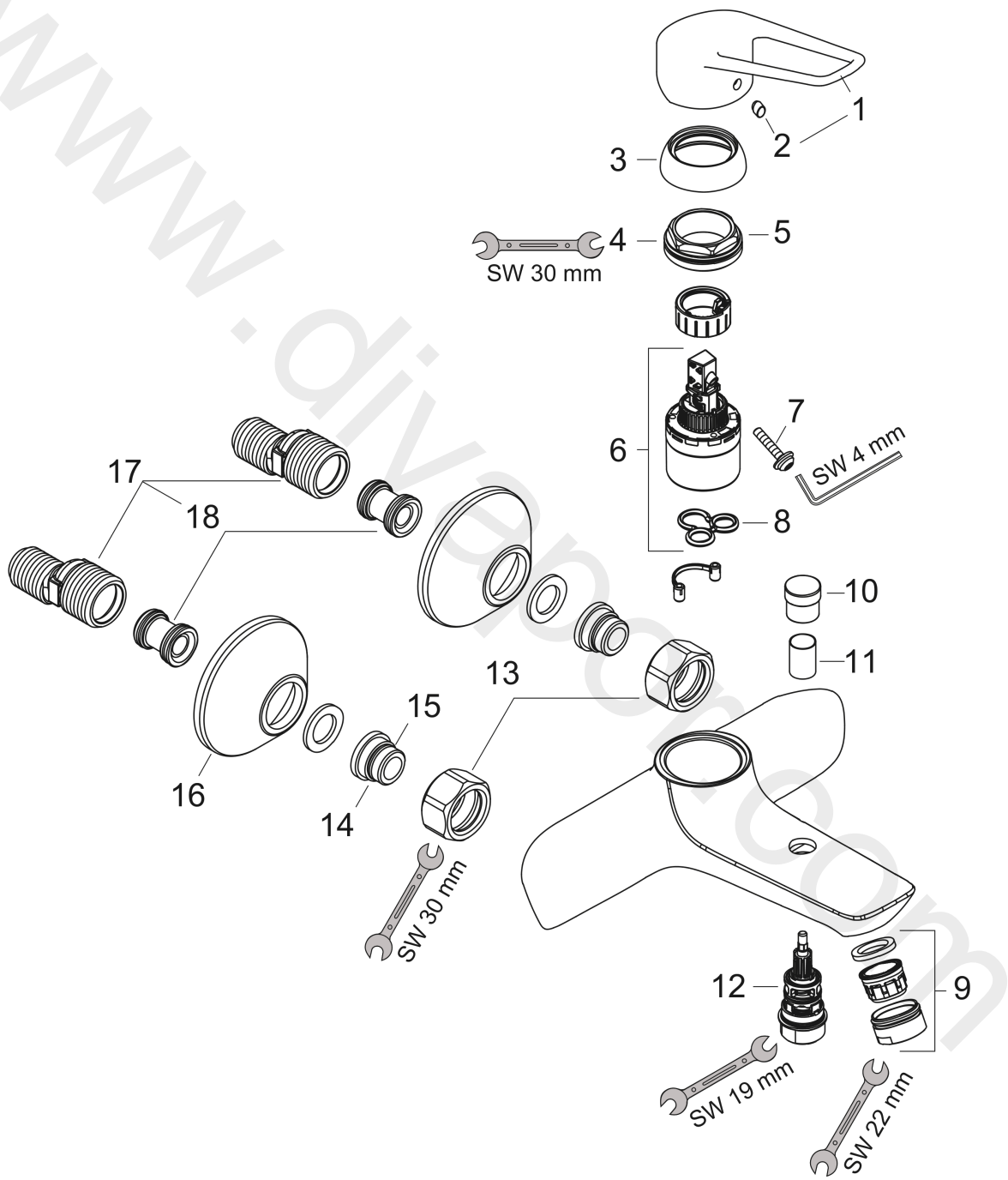


**Novus Loop**  
**Single lever bath mixer for exposed installation**  
 Finish: **Chrome** Article Number: **71340000**



**Exploded Drawing**

Year of production: >10/17



**Novus Loop**  
**Single lever bath mixer for exposed installation**  
 Finish: **Chrome** Article Number: **71340000**



## Spare part list

Year of production: >10/17

Pos.	Description	Article Number	Price	PU
1	handle	93194000	£ 51,00	1
2	screw cover	96338000	£ 3,30	1
3	flange	97406000	£ 20,50	1
4	nut	97209000	£ 16,10	1
5	O-Ring 32x2	98193000	£ 3,30	1
6	cartridge, assy	92730000	£ 35,00	1
7	locking screw for handle	95140000	£ 6,10	1
8	seal	95008000	£ 9,00	1
9	aerator M24x1 (30 l/min)	96512000	£ 16,10	1
10	diverter knob	97981000	£ 20,50	1
11	sleeve	97979000	£ 16,10	1
12	selector	97978000	£ 64,00	1
13	set of nuts	96157000	£ 35,00	1
14	connecting thread	97220000	£ 16,10	1
15	O-ring 15x2	98163000	£ 3,30	1
16	escutcheon Ø 70 mm	94135000	£ 13,30	1
17	set of S-unions (±12 mm)	94140000	£ 51,00	1
18	noise reduction	96429000	£ 6,10	1