

**Vernis Blend****Electronic basin mixer with temperature pre-adjustment battery operation**Finish: **Chrome** Article Number: **71502000****Description****product features**

- ComfortZone 100
- projection: 112 mm
- spray type: normal spray
- swiveling spray former
- maximum flow rate at 3 bar: 5 l/min
- temperature pre-adjustable
- with isolated water conduction - without contact with nickel and lead
- non-return valve
- infrared sensor technology
- automatic environmental adjustment of infrared sensor
- battery condition indicator available
- battery operation 6 V Lithium-battery, type CR-P2 (lifetime approx. 7 years, at 150 actuations per day, battery included in scope of supply)
- running time adjustable
- running time: 10 s, 20 s, 30 s
- hygiene rinse activatable (automatic water flow)
- frequency of hygiene rinse: 24 h, 48 h, 72 h
- flushing time hygiene rinse: 10 s, 20 s, 30 s
- permanent rinse activatable (single water flow for 200 seconds, suitable for thermal disinfection)
- cleaning mode: manual water stop for washbasin cleaning
- connection dimension: DN15
- dirt filters in the connection hoses
- frequency of hygiene rinse and flushing time hygiene rinse are dependent on each other (24 h - 10 s, 48 h - 20 s, 72 h - 30 s)
- EU taxonomy: max. 6 l/min - Substantial Contribution (SC) possible

**Article Details**

Price excl. VAT

245,83 £

**Technology**

**Vernis Blend**

**Electronic basin mixer with temperature pre-adjustment battery operation**

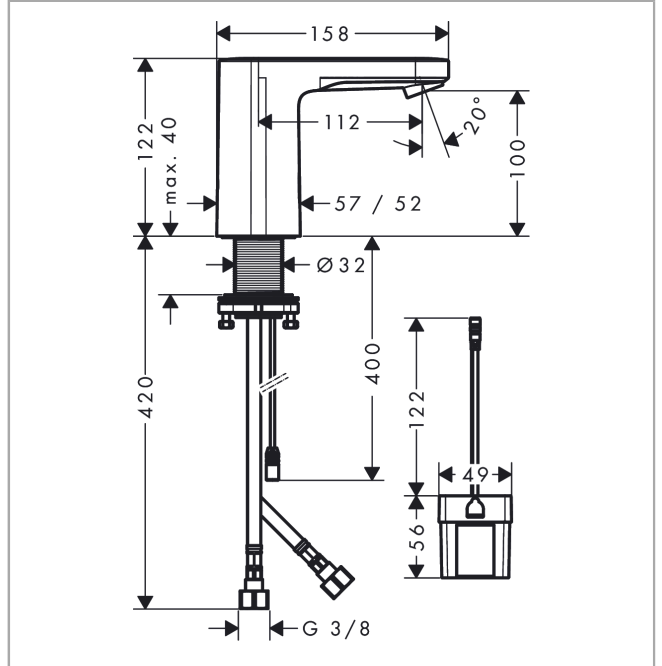
Finish: **Chrome** Article Number: **71502000**



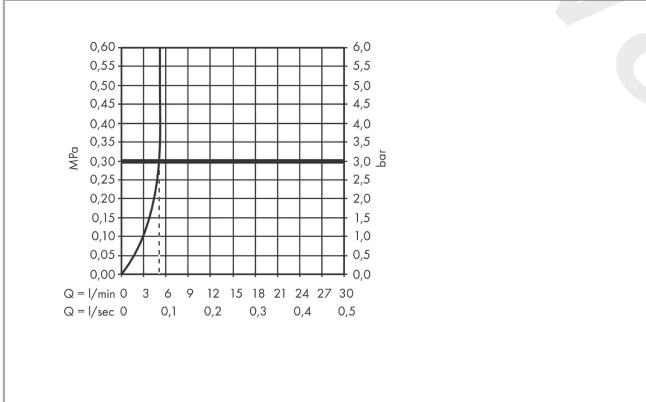
**Product image**



**Scale drawing**



**Flowchart**



**Vernis Blend**

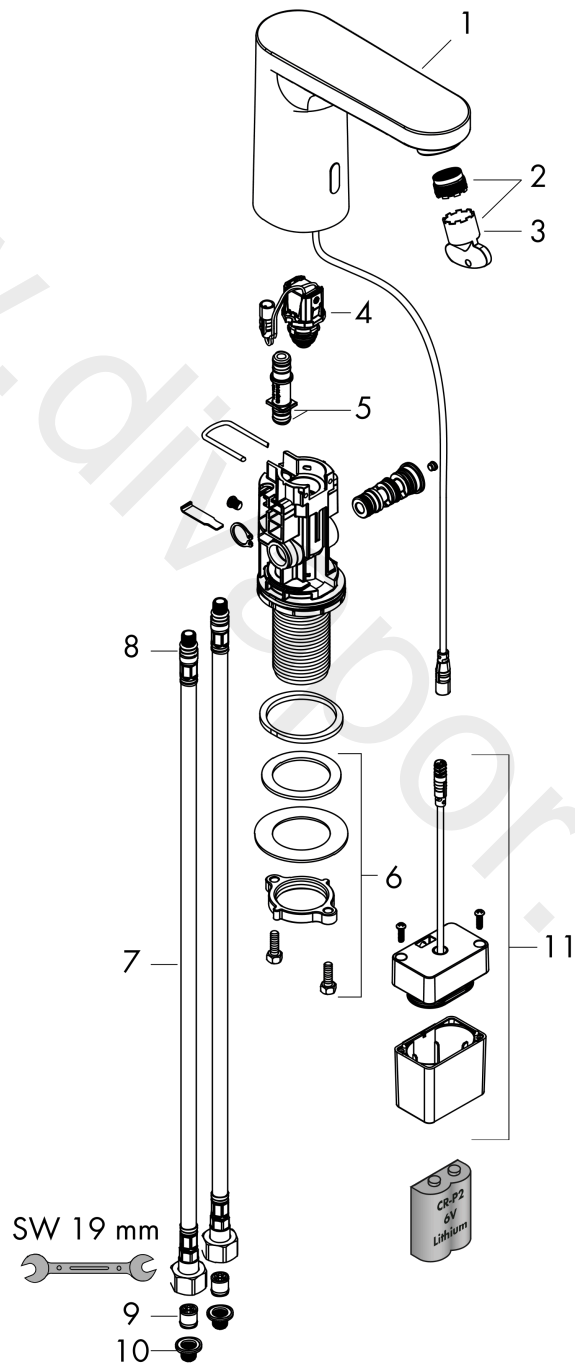
**Electronic basin mixer with temperature pre-adjustment battery operation**

Finish: **Chrome** Article Number: **71502000**



**Exploded Drawing**

Year of production: >05/21



**Vernis Blend****Electronic basin mixer with temperature pre-adjustment battery operation**Finish: **Chrome** Article Number: **71502000****Spare part list**

Year of production: &gt;05/21

Pos.	Description	Article Number	Price	PU
1	mixer-hood	94454000	-	1
2	aerator M18x1 (5 l/min)	94451000	£ 16,10	1
3	service tool	93750000	£ 9,00	1
4	solenoid valve	94453000	£ 110,00	1
5	O-ring 8x1,5	98423000	£ 3,30	1
6	fixing set (Ø 32)	13961000	£ 25,00	1
7	connection hose 450 mm M8x0,75 G3/8	93405000	£ 43,00	1
8	O-ring 7x1,5	98422000	£ 3,30	1
9	non return valve DW 10	96456000	£ 9,00	1
10	filter packing	95291000	£ 13,30	1
11	battery box	94455000	£ 43,00	1
a	Thermostat	15346000	-	1
b	fixation extension 35 mm	13898000	£ 79,00	1
c	lever collar	97548000	£ 3,30	1