

Vernis Blend
Single lever basin mixer 70 with pop-up waste set
 Finish: **Chrome** Article Number: **71550000**



Description

product features

- consists of: single lever basin mixer, waste set
- ComfortZone 70
- projection: 89 mm
- spout height: 71 mm
- handle variant: lever handle
- spray type: normal spray
- swiveling spray former
- maximum flow rate at 3 bar: 5 l/min
- ceramic cartridge
- temperature limitation adjustable
- suitable for continuous flow water heaters
- pop-up waste set G 1¼
- material waste set: synthetic
- connection type: G ¾ connections
- connection dimension: DN15
- EU taxonomy: max. 6 l/min - Substantial Contribution (SC) possible
- WRAS 2101057
- WRAS 2101057 - WRAS Approval Letter

Article Details

Price excl. VAT 75,83 £

Technology



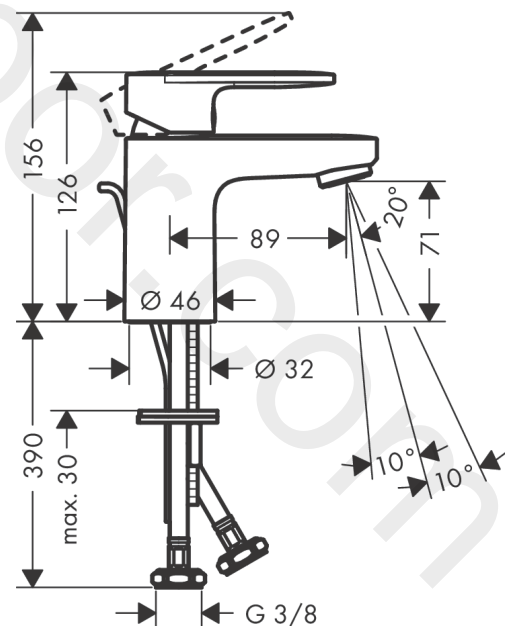
Certificates / Sustainability



Product image



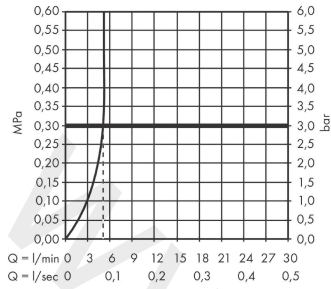
Scale drawing



Vernis Blend
Single lever basin mixer 70 with pop-up waste set
 Finish: **Chrome** Article Number: **71550000**



Flowchart



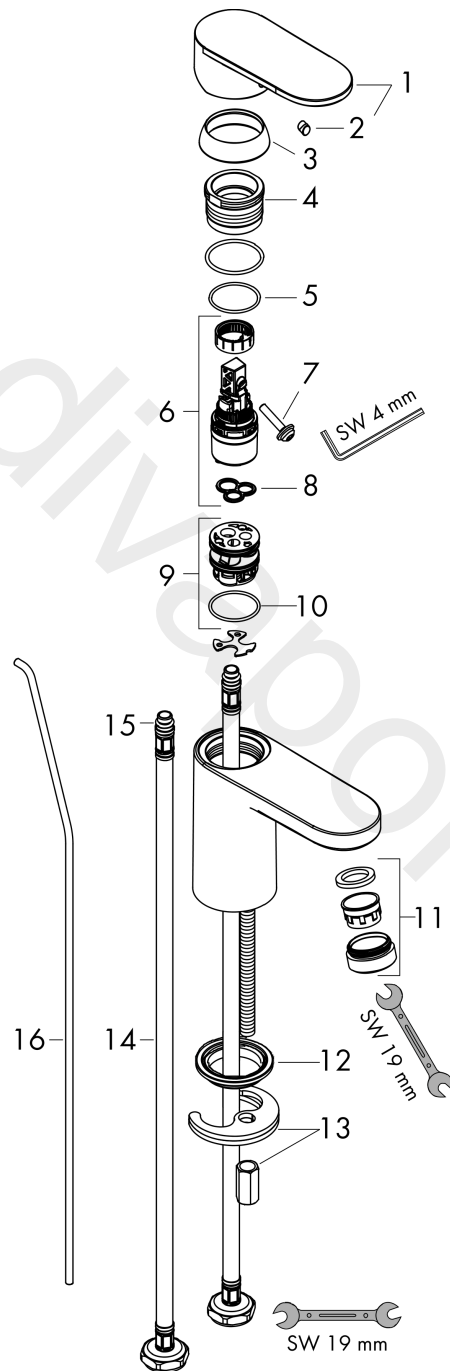
www.divapor.com

Vernis Blend
Single lever basin mixer 70 with pop-up waste set
 Finish: **Chrome** Article Number: **71550000**



Exploded Drawing

Year of production: >01/21



Vernis Blend

Single lever basin mixer 70 with pop-up waste set

Finish: **Chrome** Article Number: **71550000**



Spare part list

Year of production: >01/21

Pos.	Description	Article Number	Price	PU
1	handle	93678000	£ 35,00	1
2	screw cover	96338000	£ 3,30	1
3	flange	93680000	£ 9,00	1
4	nut	93681000	£ 20,50	1
5	O-ring 24x1,5	98434000	£ 3,30	1
6	cartridge, assy	97685000	£ 64,00	1
7	locking screw for handle	95140000	£ 6,10	1
8	seal	98865000	£ 35,00	1
9	adapter for cartridge	98866000	£ 35,00	1
10	O-ring 23x2	98398000	£ 3,30	1
11	aerator swivelling M24x1 (5 l/min)	93834000	£ 20,50	1
12	seal Ø 42	98722000	£ 6,10	1
13	fixing set	96016000	£ 35,00	1
14	connection hose 450 mm M8x0,75 G3/8	97206000	£ 35,00	1
15	O-ring 7x1,5	98422000	£ 3,30	1
16	pull rod	93683000	£ 13,30	1
a	pop up waste	92168000	£ 43,00	1
b	lever arm 340mm (ball-Ø12mm)	96324000	£ 25,00	1