

Focus M42

Single lever kitchen mixer 220, 1jet

Finish: **Chrome** Article Number: **71802007**



Description

product features

- consists of: single lever kitchen mixer
- swivel range 360°
- normal spray
- connection dimension: DN15
- maximum flow rate at 3 bar: 6,2 l/min
- ceramic cartridge
- connection type: G ½ connections
- temperature limitation adjustable
- suitable for continuous flow water heaters

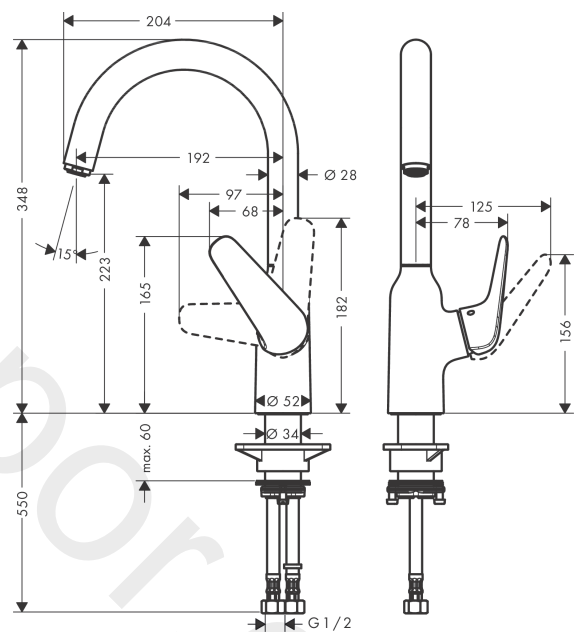
Technology



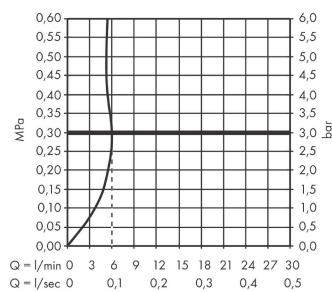
Product image



Scale drawing



Flowchart

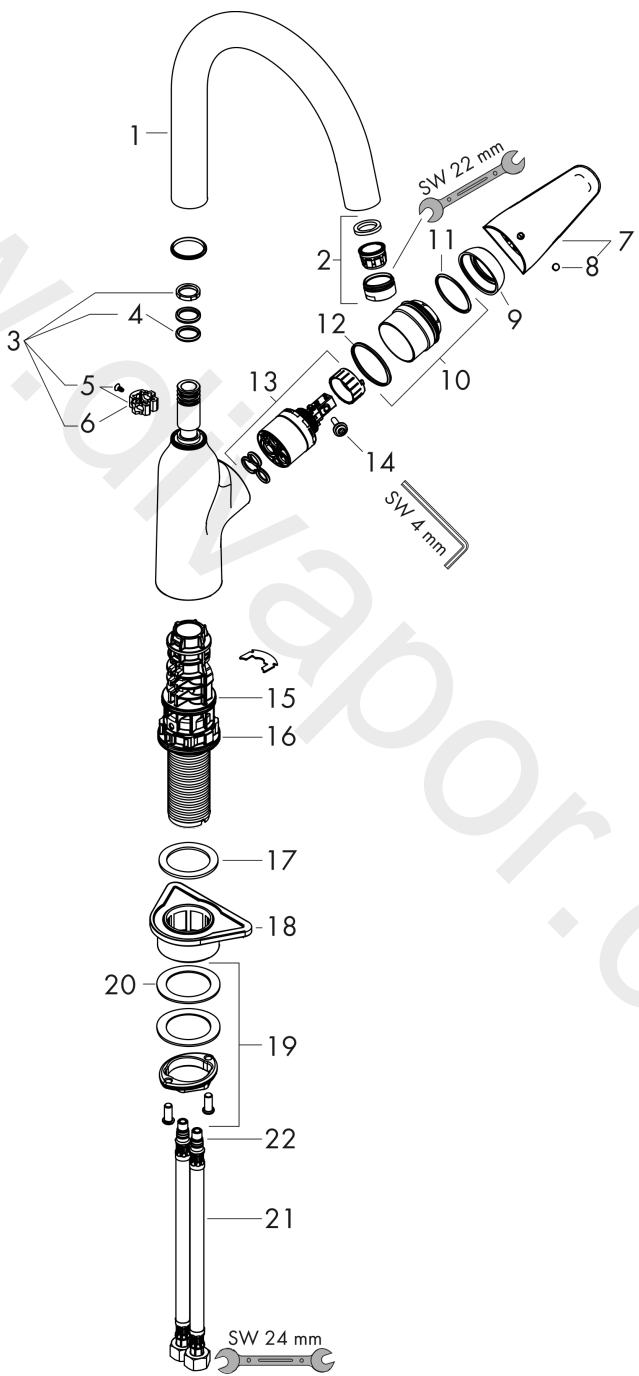


Focus M42
Single lever kitchen mixer 220, 1jet
 Finish: **Chrome** Article Number: **71802007**



Exploded Drawing

Year of production: >10/18



Focus M42

Single lever kitchen mixer 220, 1jet

Finish: **Chrome** Article Number: **71802007**



Spare part list

Year of production: >10/18

Pos.	Description	Article Number	Price	PU
1	spout cpl.	93347000	£ 173,00	1
2	aerator M24x1 (5 l/min)	13185000	£ 22,30	1
3	sealing set	92646000	£ 20,50	1
4	O-Ring 14x2,5	98189000	£ 3,30	1
5	screw	97662000	£ 9,00	1
6	axialring	97558000	£ 3,30	1
7	handle	93344000	-	1
8	screw cover	96338000	£ 3,30	1
9	flange	97406000	£ 20,50	1
10	nut	93346000	£ 51,00	1
11	O-Ring 32x2	98193000	£ 3,30	1
12	O-ring 36x2	98156000	£ 3,30	1
13	cartridge, assy	92730000	£ 35,00	1
14	locking screw for handle	95140000	£ 6,10	1
15	seal	95008000	£ 9,00	1
16	O-ring 38x2	98396000	£ 3,30	1
17	O-ring 44x2,5	98162000	£ 3,30	1
18	support	97523000	£ 6,10	1
19	fixing set (special)	93253000	£ 20,50	1
20	lever collar	97548000	£ 3,30	1
21	connection hose 600 mm M8x0,75 G1/2	92482000	£ 43,00	1
22	O-ring 6,6x1,6	93019000	£ 3,30	1