

Focus M42

Single lever kitchen mixer 150, EcoSmart, pull-out spout, 1jet

Finish: **Chrome** Article Number: **71865000**

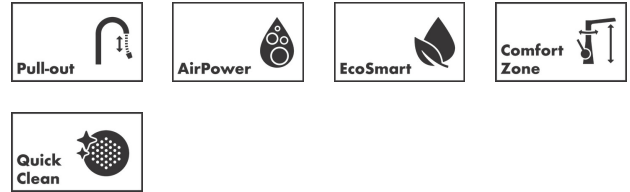


Description

product features

- ComfortZone 150
- swivel range 120°
- normal spray
- MagFit magnetic shower support
- connection dimension: DN15
- maximum flow rate at 3 bar: 4,9 l/min
- ceramic cartridge
- connection type: G 3/8 connections
- temperature limitation adjustable
- integrated non-return valve
- suitable for continuous flow water heaters
- extension length up to 50 cm
- EU taxonomy: max. 6 l/min - Substantial Contribution (SC) possible

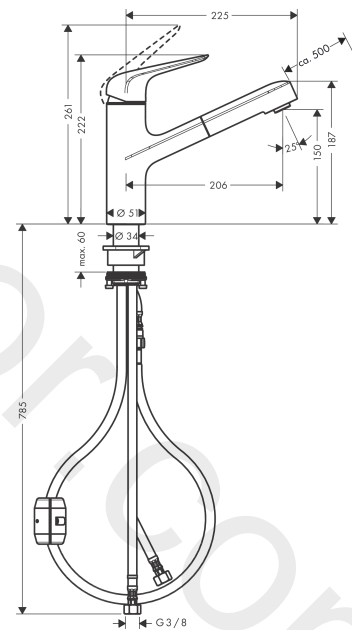
Technology



Product image



Scale drawing



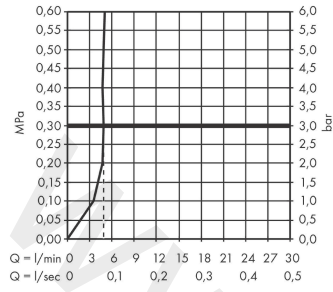
Focus M42

Single lever kitchen mixer 150, EcoSmart, pull-out spout, 1jet

Finish: **Chrome** Article Number: **71865000**



Flowchart



Focus M42

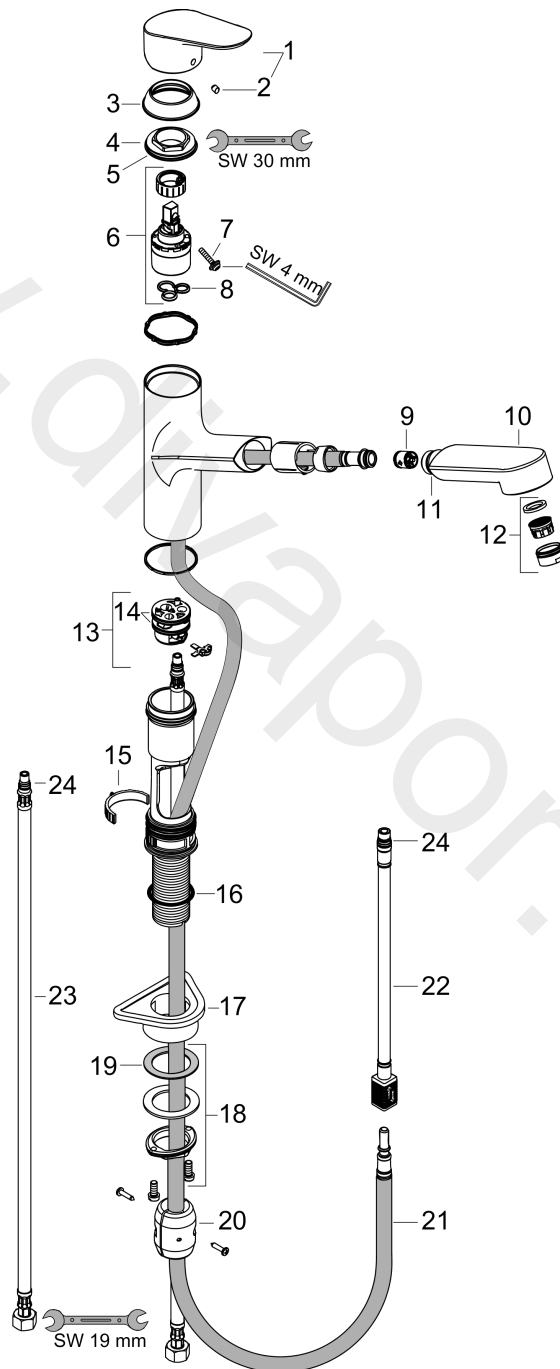
Single lever kitchen mixer 150, EcoSmart, pull-out spout, 1jet

Finish: **Chrome** Article Number: **71865000**



Exploded Drawing

Year of production: >05/20



Focus M42**Single lever kitchen mixer 150, EcoSmart, pull-out spout, 1jet**Finish: **Chrome** Article Number: **71865000****Spare part list**

Year of production: >05/20

Pos.	Description	Article Number	Price	PU
1	handle	93336000	-	1
2	screw cover	96338000	-	1
3	flange	97995000	-	1
4	nut	97996000	-	1
5	O-ring 41x2	98212000	-	1
6	cartridge, assy	95646001	-	1
7	locking screw for handle	95140000	-	1
8	seal	95008000	-	1
9	set of non return valves DW 15	97350000	-	1
10	handspray	93563000	-	1
11	O-ring 18x1,5	98231000	-	1
12	aerator M24x1 (15 l/min)	13913000	-	1
13	adapter for cartridge	95911000	-	1
14	O-Ring 30x2	98186000	-	1
15	locating ring	92211000	-	1
16	O-Ring 36x2,5	98190000	-	1
17	support	97523000	-	1
18	fixing set (Ø 34)	95049000	-	1
19	lever collar	97548000	-	1
20	weight	92500000	-	1
21	hose 1,25 m	95506000	-	1
22	connection hose 600 mm	92264000	-	1
23	connection hose 900 mm M8x0,75 G3/8	98758000	-	1
24	O-ring 7x1,5	98422000	-	1