

Talis S
Single lever basin mixer 80 LowFlow without waste set
 Finish: **Chrome** Article Number: **72018000**



Description

product features

- ComfortZone 80
- projection: 97 mm
- spout height: 68 mm
- handle variant: pin handle
- maximum flow rate at 3 bar: 2,7 l/min
- ceramic cartridge
- temperature limitation adjustable
- suitable for continuous flow water heaters
- connection type: G 3/8 connections
- connection dimension: DN15
- WRAS 2110027
- WRAS 2110027 - Approval letter

Article Details

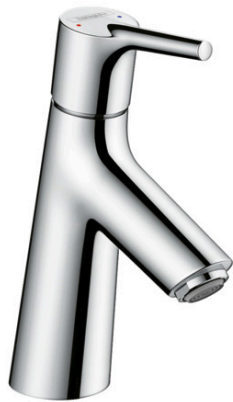
Price excl. VAT

162,50 £

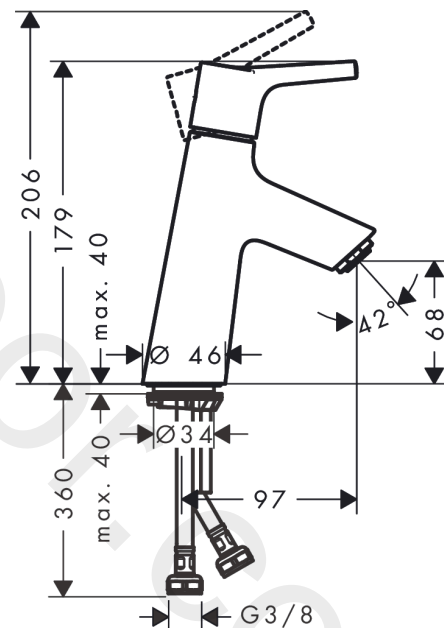
Technology



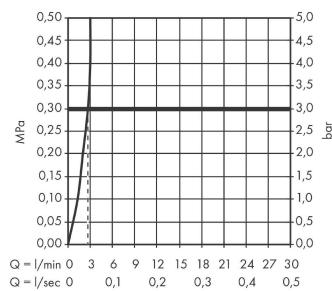
Product image



Scale drawing



Flowchart

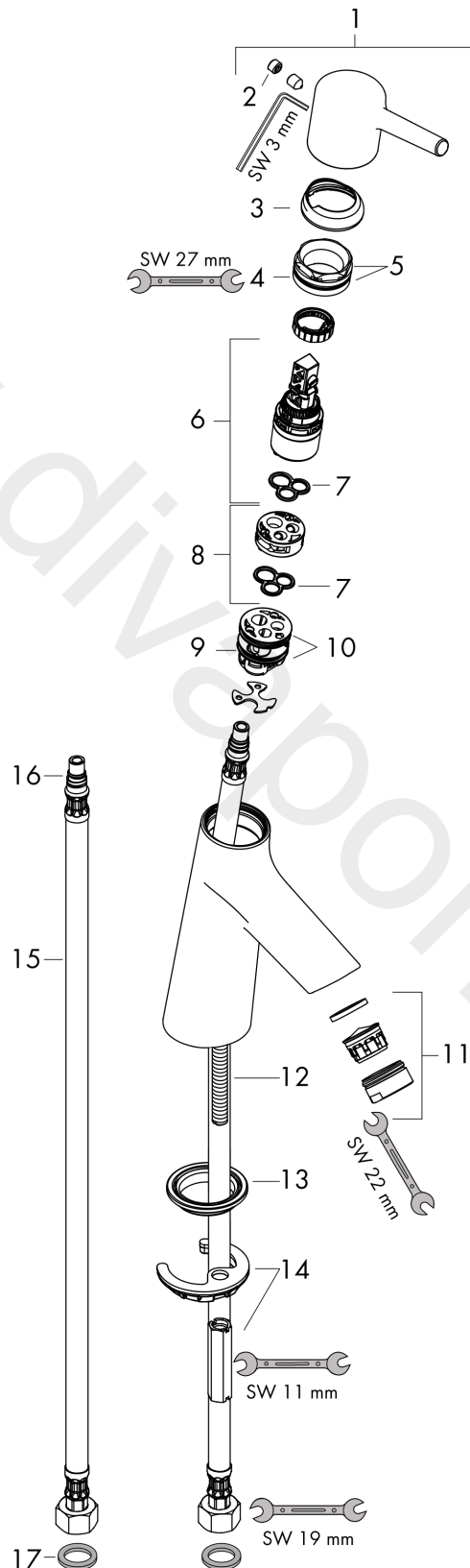


Talis S
Single lever basin mixer 80 LowFlow without waste set
 Finish: **Chrome** Article Number: **72018000**



Exploded Drawing

Year of production: >10/15



Talis S
Single lever basin mixer 80 LowFlow without waste set
 Finish: **Chrome** Article Number: **72018000**



Spare part list

Year of production: >10/15

Pos.	Description	Article Number	Price	PU
1	handle	92626000	£ 35,00	1
2	screw cover	95704000	£ 3,30	1
3	flange	92625000	£ 35,00	1
4	nut	92627000	£ 20,50	1
5	O-ring 27x1,5	92527000	£ 13,30	1
6	cartridge, assy	95973001	£ 79,00	1
7	seal	98865000	£ 35,00	1
8	adapter for cartridge	92628000	£ 20,50	1
9	adapter for cartridge	98866000	£ 35,00	1
10	O-ring 23x2	98398000	£ 3,30	1
11	aerator M24x1	98453000	£ 20,50	1
12	screw M8 x 68	97736000	£ 6,10	1
13	seal	97608000	£ 6,10	1
14	fixing set	96016000	£ 35,00	1
15	connection hose 450 mm M8x0,75 G3/8	97206000	£ 35,00	1
16	O-ring 7x1,5	98422000	£ 3,30	1
17	sealing set	95581000	£ 6,10	1