

Talis S

Single lever basin mixer for concealed installation wall-mounted with spout 16.5 cm

Finish: **Chrome** Article Number: **72110000**



Description

product features

- consists of: single lever basin mixer for concealed installation wall-mounted, waste set
- projection: 165 mm
- handle variant: lever handle
- spray type: normal spray
- maximum flow rate at 3 bar: 5 l/min
- ceramic cartridge
- temperature limitation adjustable
- suitable for continuous flow water heaters
- non-closing waste set
- material waste set: metal
- connection type: basic set
- connection dimension: DN15
- EU taxonomy: max. 6 l/min - Substantial Contribution (SC) possible
- WRAS 2303069
- WRAS 2303069 - Approval letter 2303069

Article Details

Price excl. VAT

262,50 £

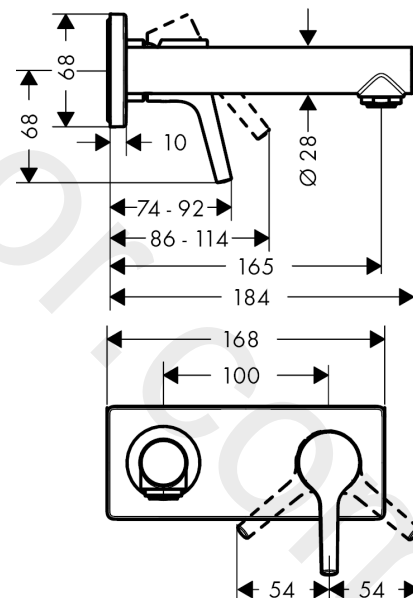
Technology



Product image



Scale drawing



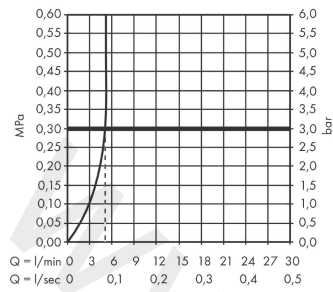
Talis S

Single lever basin mixer for concealed installation wall-mounted with spout 16.5 cm

Finish: **Chrome** Article Number: **72110000**



Flowchart



www.divapor.com

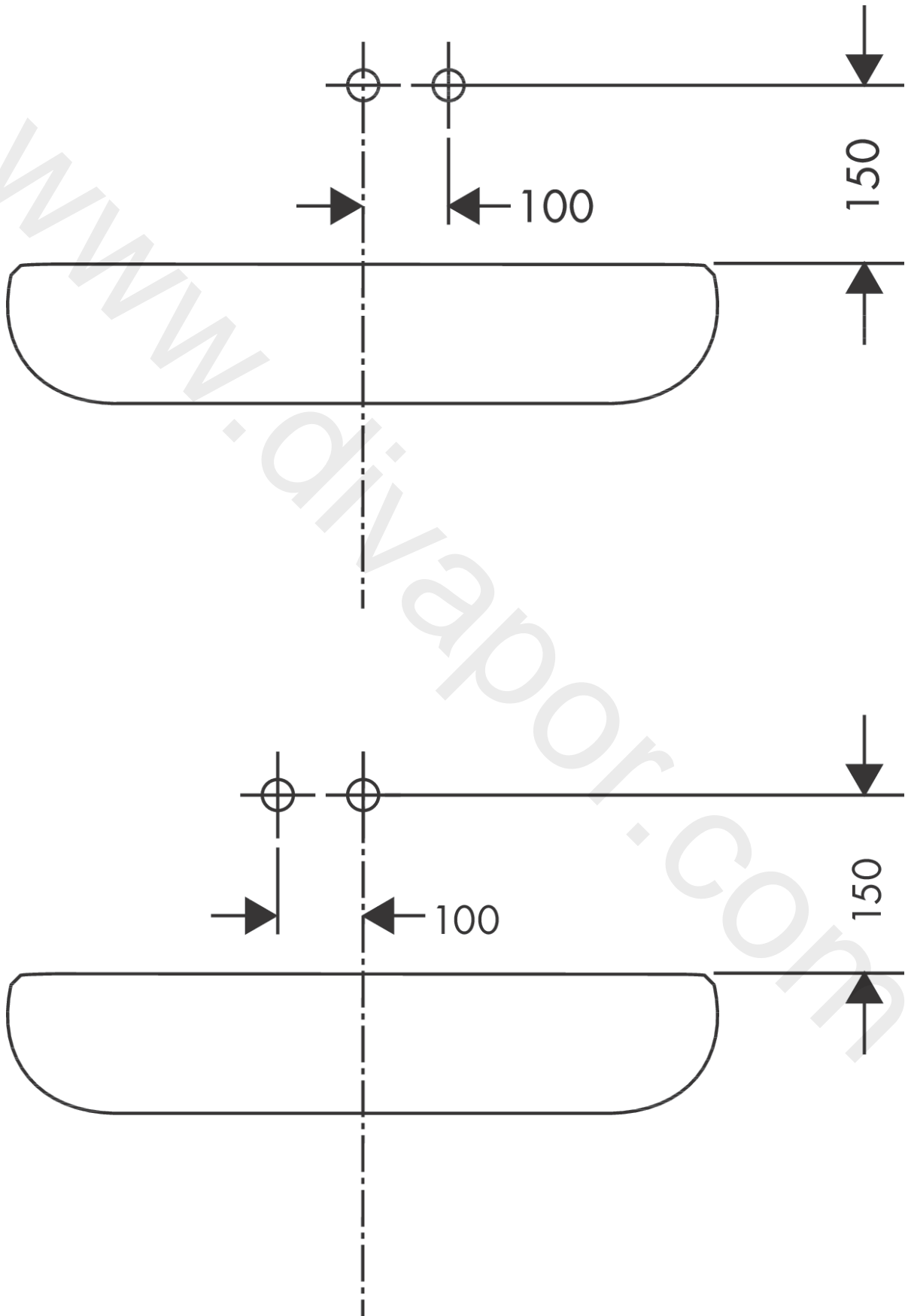
Talis S

Single lever basin mixer for concealed installation wall-mounted with spout 16.5 cm

Finish: **Chrome** Article Number: **72110000**



Installation examples



Talis S

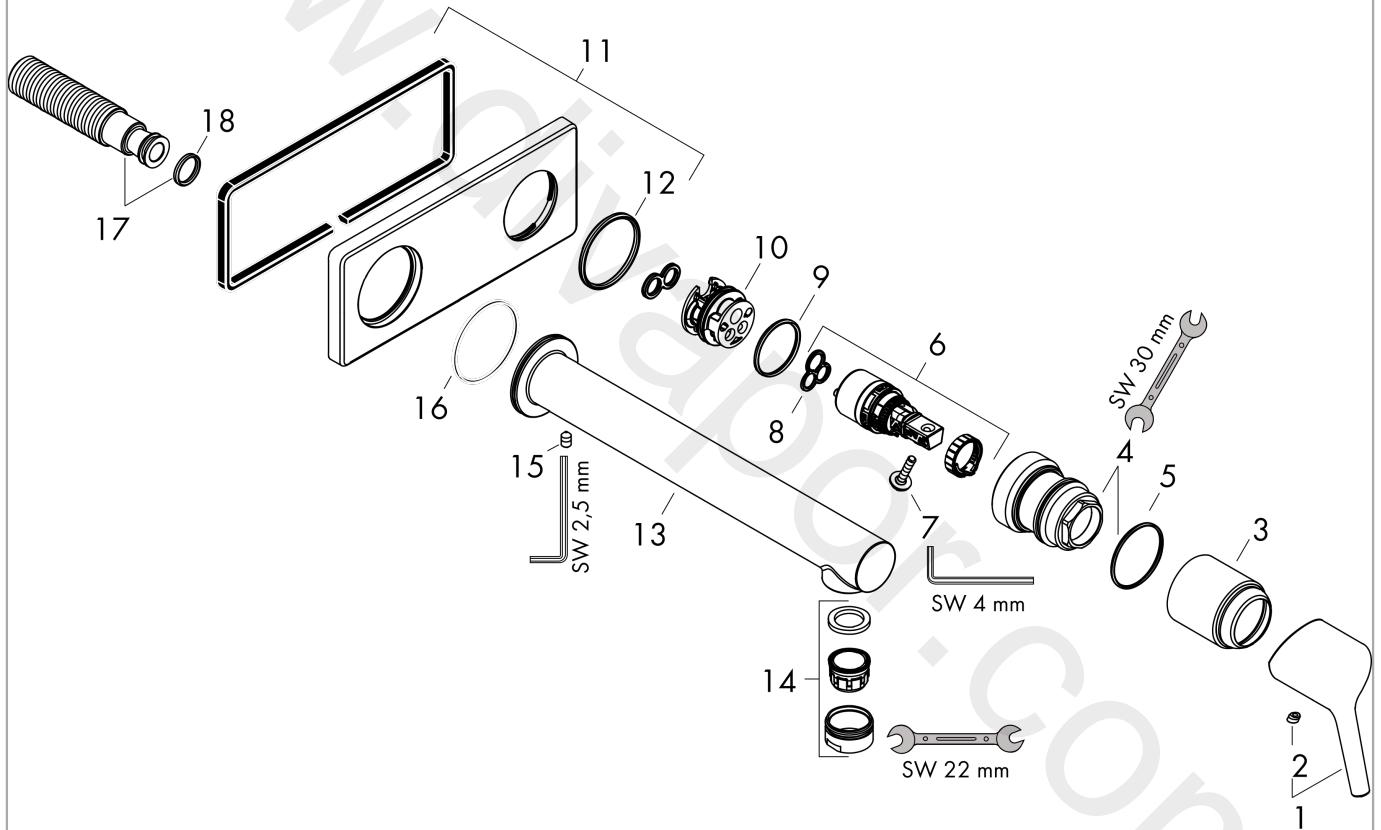
Single lever basin mixer for concealed installation wall-mounted with spout 16.5 cm

Finish: **Chrome** Article Number: **72110000**



Exploded Drawing

Year of production: >10/15



Talis S**Single lever basin mixer for concealed installation wall-mounted with spout 16.5 cm**Finish: **Chrome** Article Number: **72110000****Spare part list**

Year of production: >10/15

Pos.	Description	Article Number	Price	PU
1	handle	92648000	£ 64,00	1
2	screw cover	96338000	£ 3,30	1
3	flange	92657000	£ 20,50	1
4	nut	92658000	£ 35,00	1
5	O-ring 33x1,5	98164000	£ 3,30	1
6	cartridge, assy	97685000	£ 64,00	1
7	locking screw for handle	95140000	£ 6,10	1
8	seal	98865000	£ 35,00	1
9	O-ring 26x2	98147000	£ 3,30	1
10	adapter for cartridge	95634000	£ 13,30	1
11	escutcheon	92649000	£ 64,00	1
12	O-ring 35x3	98435000	£ 3,30	1
13	spout 165 mm	92655000	£ 173,00	1
14	aerator M24x1 (5 l/min)	13185000	£ 22,30	1
15	hollow set screw M5x8	92851000	£ 3,30	1
16	O-Ring 36x2,5	98190000	£ 3,30	1
17	connecting thread G½	95626000	£ 43,00	1
18	O-ring 13x2	98128000	£ 3,30	1
a	base body	13622180	£ 355,00	1
b	extension set 25 mm for 13622180	31971000	£ 169,00	1
c	waste	50001000	£ 71,00	1
d	Grease	90920000	£ 16,10	1
e	adapter for exchanged connections	93819000	£ 173,00	1