

RADA MX1 20NCUK
INTELLIGENT CARE BASIN TAP

- Non Touch IR flow control
- Brass valve engine (no plastics)
- Integral smooth bore copper outlet pipe
- Open bore flow insert, removable for easy cleaning
- Copper inlet tails
- High internal valve flow velocity
- Air tested at factory
- Programmable duty flushing / Thermal disinfection
- Integral 12 month data log
- Networkable using modbus RTU over RS485
- HTM04-01 Compliant

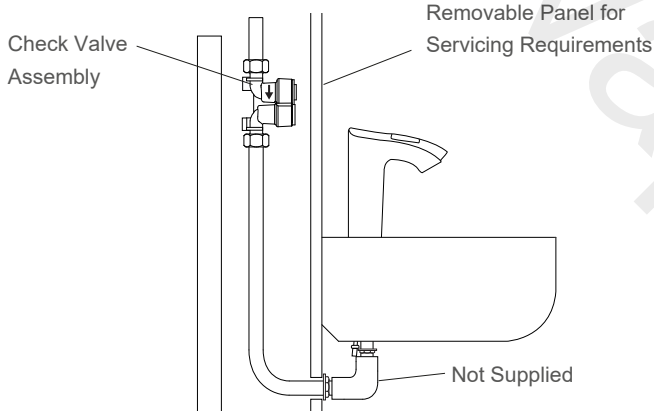


Specify as:

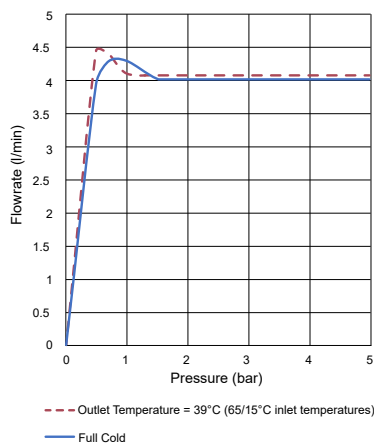
Rada MX1 20NCUK (72941-CP)

Intelligent thermostatic basin tap with non-touch flow (IR) control, smooth bore copper outlet pipe with open bore flow insert, copper tails, programmable temperatures, run time, automated blend duty flush and cold flush, thermal disinfection, integral 12 month data log and optional connection to building network systems.

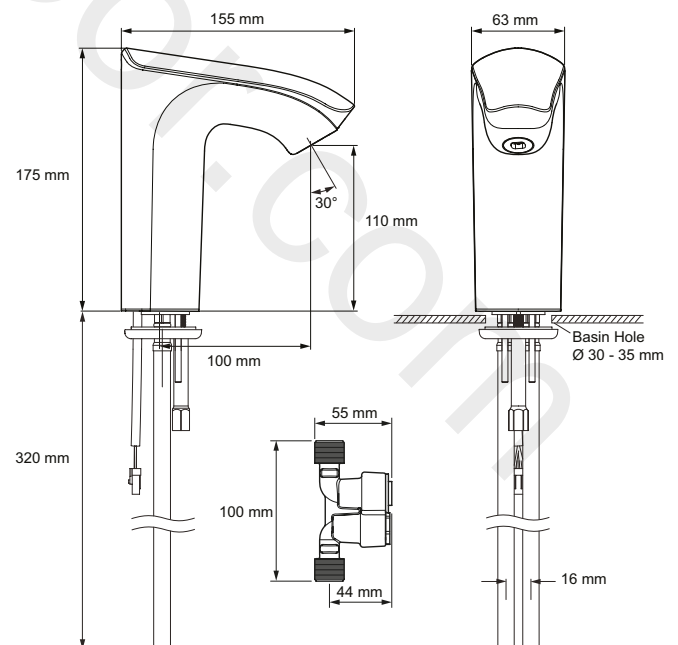
Installation Diagram



Flow Diagram



Dimensions (mm)



Kohler Mira Limited
Cromwell Road
Cheltenham
Gloucestershire
GL52 5EP

Specification Enquiries
Tel: 0344 571 1777 (Option 1)
Email: rada_technical@mirashowers.com
www.radacontrols.com



TECHNICAL SPECIFICATION

Operation

Flow: Infra red non-touch activation

Approvals

WRAS
KIWA UK
TMV3 (HP-WE)
BEAB EN 60730-2-8
EN 61558-2-16 (Power Supply)

Temperature

Factory pre-set: 39°C
Programmable range - Min: 33°C Max: 45°C
Note: Full cold can be selected during programming
Maximum hot water: 55 - 65°C (80°C for thermal disinfection)
Temperature check mode: Allows measurement of blend as well as hot and cold inlet supplies

Pressure Range

Note: Hot and cold supply pressures should be nominally equal.
Maximum static pressure: 10 bar
Minimum dynamic pressure: 1 bar
Maximum dynamic pressure: 5 bar

Connections

Basin hole diameter range: 30 - 35 mm
Ware thickness: Max 38 mm
Copper tails: 10 mm Self-coloured and open ended to allow cutting to desired length
Checkvalve / filter / flow regulator assembly with integral isolation: 1/2" BSP / 15 mm compression

Flow

Modes: On/Off (Timed, Blocking)
Flow duration: Programmable (1 sec - 60 mins)

Electrical Specification

Power supply unit is supplied
Power supply output: Rated voltage: 12 Vdc
Rated current: 2.5 A
Power supply input: Rated voltage: 100 Vac - 240 Vac
Rated current: 1.0 A
Frequency: 50/60 Hz

IP Ratings

Tap: IP X4
Power supply unit: IP X4

Programming Options

Programming via Rada App using iOS tablet over Bluetooth
Blend Duty Flushing:
Operating modes: Off, Standard, Smart
Activation time: Real time scheduling (hrs/mins)
Interval period: 1 hr - 1 Week
Flush duration: 1 sec - 25 mins
Set temperature: Programmable

Cold Only Flushing:

Activation time: Real time scheduling (hrs/mins)
Interval period: 1 hr - 1 Week
Flush duration: 5 sec - 10 mins

Thermal Disinfection:

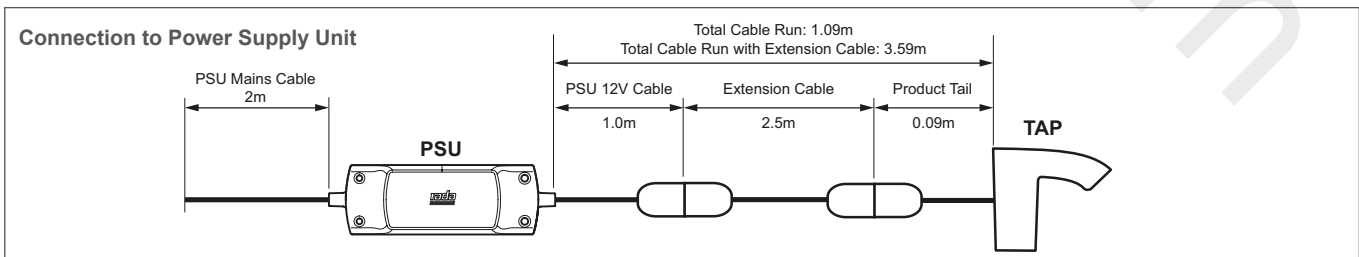
Operating modes: Off, Standard, Exponential
Flush duration: 1 - 30 mins
Minimum temperature: Programmable

Networking

The MX1 Taps are networkable using modbus RTU over an RS485 connection.
This enables the MX1 Taps to be linked to a Building Management System (Refer to separate IC Networking Datasheet - P6480).

Accessory

Part no. 76705-NA: Rada (ACI 9) 2.5m extension cable
Part no. 1.1664.234.1: Pall Filter Adaptor



Kohler Mira Limited
Cromwell Road, Cheltenham
Gloucestershire, GL52 5EP

Specification Enquiries
Tel: 0344 571 1777 (Option 1)
Email: rada_technical@mirashowers.com
www.radacontrols.com

Rada is a registered trademark of Kohler Mira Limited.
The company reserves the right to alter product specification without notice.
© September 2019 Kohler Mira Limited. All rights reserved.
No part of this document, or any accompanying document, may be reproduced or transmitted in any form or by any means, including photocopying or electronically, without the permission of Kohler Mira Limited.

A KOHLER COMPANY

