

**RADA MX1 60UK**  
 INTELLIGENT CARE PANEL MOUNT TAP WITH TEMPERATURE CONTROL

- Non Touch IR flow control
- Non Touch capacitive temperature control
- Brass valve engine (no plastics)
- Integral smooth bore copper outlet pipe
- Open bore flow insert, removable for easy cleaning
- High internal valve flow velocity
- Air tested at factory
- Programmable duty flushing / Thermal disinfection
- Integral 12 month data log
- Networkable using modbus RTU over RS485
- HTM04-01 Compliant

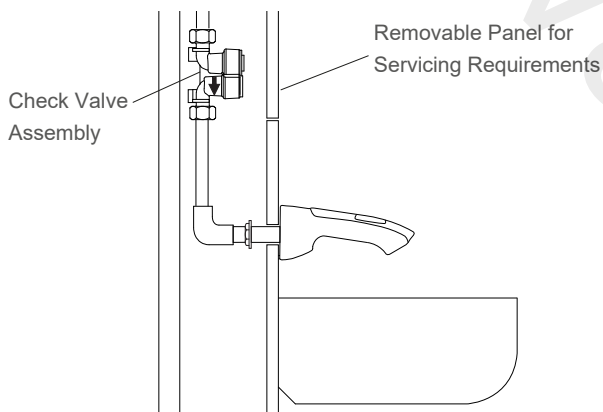


**Specify as:**

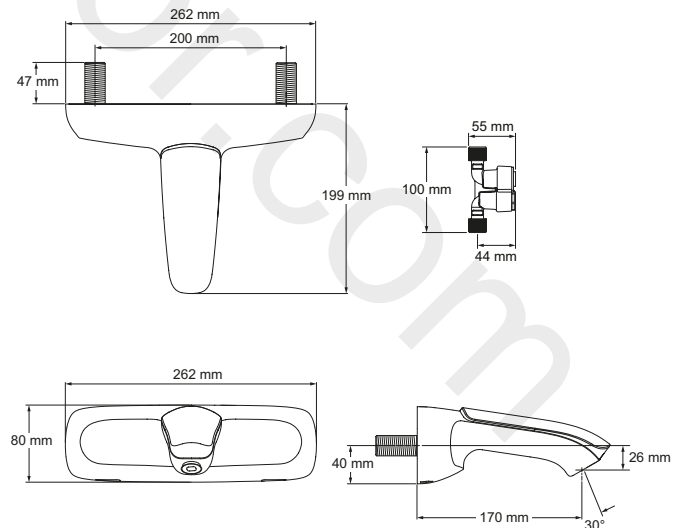
**Rada MX1 60UK (72946-CP)**

Intelligent thermostatic panel mount tap with non-touch flow (IR) and temperature (capacitive) controls, smooth bore copper outlet pipe with open bore flow insert, check valve/filter unit, programmable temperatures, run time, automated blend duty flush and cold flush, thermal disinfection, integral 12 month data log and optional connection to building network systems.

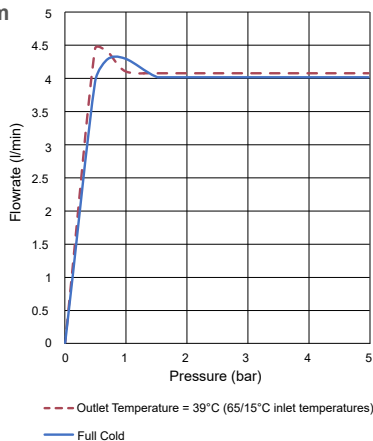
**Installation Diagram**



**Dimensions (mm)**



**Flow Diagram**



**Kohler Mira Limited**  
 Cromwell Road  
 Cheltenham  
 Gloucestershire  
 GL52 5EP

**Specification Enquiries**  
 Tel: 0344 571 1777 (Option 1)  
 Email: rada\_technical@mirashowers.com  
 www.radacontrols.com



TECHNICAL SPECIFICATION

**Operation**

Flow: Infra red non-touch activation.  
 Temperature adjustment: Capacitive sensor, allowing either non-touch adjustment by either holding or waving hand up to 35 mm above temperature graphic, or touch control, using the temperature graphic pads.

**Approvals**

WRAS  
 KIWA UK  
 TMV3 (HP-WE)  
 BEAB EN 60730-2-8  
 EN 61558-2-16 (Power Supply)

**Temperature**

Factory pre-set: 39°C  
 Factory pre-set temp. range – Min: 37°C, Max: 41°C  
 Programmable range – Min: 33°C Max: 45°C  
 Note: Full cold can be selected during programming  
 Maximum hot water: 55 - 65°C (80°C for thermal disinfection)  
 Temperature check mode: Allows measurement of blend as well as hot and cold inlet supplies

**Pressure Range**

Note: Hot and cold supply pressures should be nominally equal.  
 Maximum static pressure: 10 bar  
 Minimum dynamic pressure: 1 bar  
 Maximum dynamic pressure: 5 bar

**Connections**

15 mm Compression or 1/2" BSP  
 Checkvalve / filter / flow regulator assembly with integral isolation:  
 1/2" BSP / 15 mm compression

**Flow**

Modes: On/Off (Timed, Blocking)  
 Flow Duration: Programmable (1 sec - 60 mins)

**Electrical Specification**

Power supply unit is supplied  
 Power supply output: Rated voltage: 12 Vdc  
 Rated current: 2.5 A  
 Power supply input: Rated voltage: 100 Vac - 240 Vac  
 Rated current: 1.0 A  
 Frequency: 50/60 Hz

**IP Ratings**

Tap: IP X4  
 Power supply unit: IP X4

**Programming Options**

Programming via Rada App using iOS tablet over Bluetooth  
 Blend Duty Flushing:  
 Operating modes: Off, Standard, Smart  
 Activation time: Real time scheduling (hrs/mins)  
 Interval period: 1 hr - 1 Week  
 Flush duration: 1 sec - 25 mins  
 Set temperature: Programmable

**Cold Only Flushing:**

Activation time: Real time scheduling (hrs/mins)  
 Interval period: 1 hr - 1 Week  
 Flush duration: 5 sec - 10 mins

**Thermal Disinfection:**

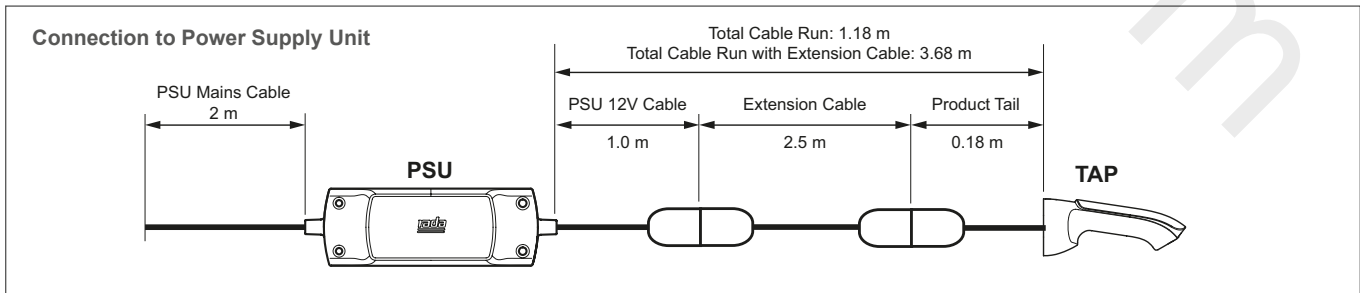
Operating modes: Off, Standard, Exponential  
 Flush duration: 1 - 30 mins  
 Minimum temperature: Programmable

**Networking**

The MX1 Taps are networkable using modbus RTU over an RS485 connection.  
 This enables the MX1 Taps to be linked to a Building Management System (Refer to separate IC Networking Datasheet - P6480).

**Accessory**

Part no. 76705-NA: Rada (ACI 9) 2.5m extension cable  
 Part no. 1.1664.234.1: Pall Filter Adaptor



**Kohler Mira Limited**  
 Cromwell Road, Cheltenham  
 Gloucestershire, GL52 5EP

**Specification Enquiries**  
 Tel: 0344 571 1777 (Option 1)  
 Email: rada\_technical@mirashowers.com  
 www.radacontrols.com

Rada is a registered trademark of Kohler Mira Limited.  
 The company reserves the right to alter product specification without notice.  
 © September 2019 Kohler Mira Limited. All rights reserved.  
 No part of this document, or any accompanying document, may be reproduced or transmitted in any form or by any means, including photocopying or electronically, without the permission of Kohler Mira Limited.

A KOHLER COMPANY

