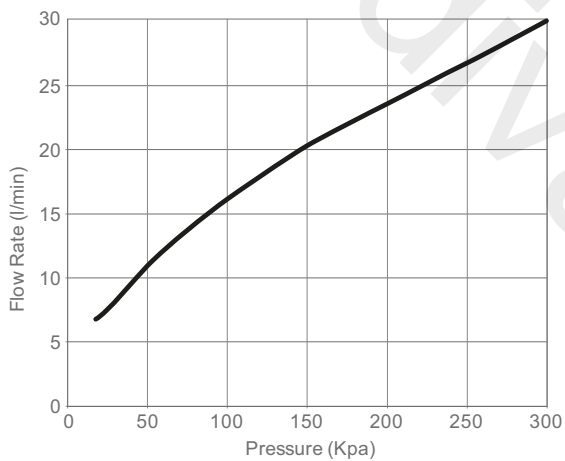


RADA SF1 10 EV
SHOWER KIT - SURFACE MOUNTED VALVES

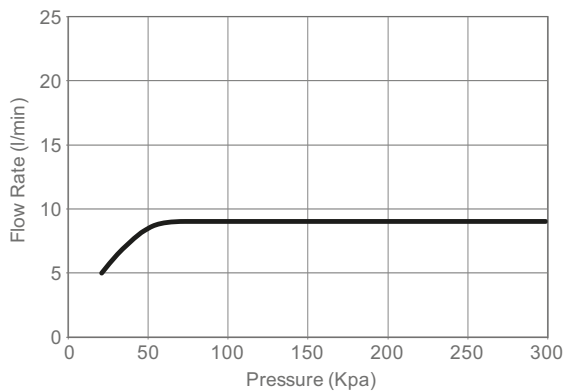
- Single mode removable spray plate
- Silicone nozzle mat – removable for cleaning
- 1.25 m smooth, easy-clean hose
- Easy one-handed height adjustment of hand shower
- 675 mm slide rail
- 8 L/min flow regulator supplied



Flow Diagram



Handset only with no Flow regulator



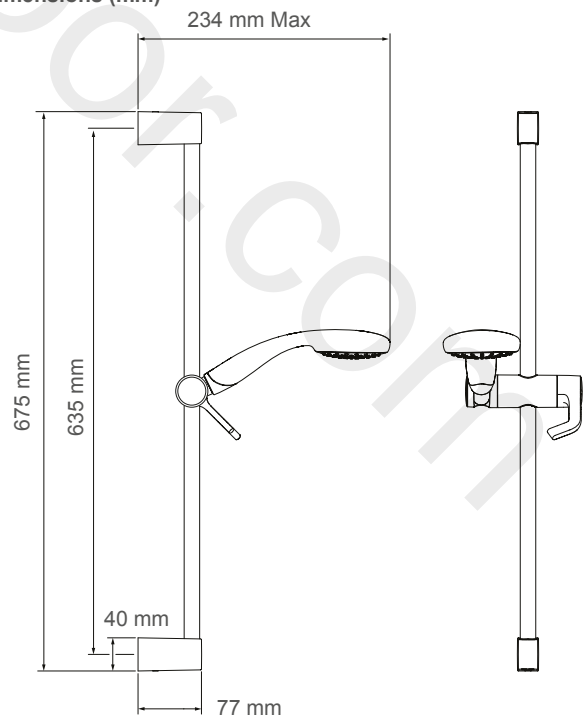
Handset only with 8L/min Flow regulator fitted

Specify as:

Rada SF1 10 EV (72964-CP)

Shower fittings kit with chrome hand shower, removable single mode spray plate, 1.25 m smooth hose, easy adjustable clamp bracket, hose retaining ring and 675 mm slide rail.

Dimensions (mm)



TECHNICAL SPECIFICATION

Operation

Height of hand shower can be adjusted with one hand by lightly pressing on the clamp bracket lever control and moving up or down.

Approvals

WRAS
KIWA UK
KIWA NV - EN 1112 and EN 1113

Temperature

Maximum Hot Water – 60°C

Pressure Range

Minimum dynamic pressure: 0.2 bar
Maximum dynamic pressure: 3.0 bar

Connections

The shower hose terminates with a ½" BSP female thread.

Optional Flow Regulators (not supplied)

6 lit/min Flow Regulator - Part No. 1264159-NA

Accessories

Rada SF1 40 - 1.25 m Cat 5 Hose/Ring - Part No: 19027-NA
Rada SF1 50 - 1.25 m Hose - Part No: 76125-NA
Rada SF1 55 - 1.50 m Hose - Part No: 76126-NA
Rada SF1 60 - Handset Single Mode - Part No: 77322-CP
Rada SF1 65 - Handset Coloured Rings - Part No: 78156-NA

Kohler Mira Limited
Cromwell Road, Cheltenham
Gloucestershire, GL52 5EP

Specification Enquiries
Tel: 0844 571 1777, Fax: 0844 472 3076
Email: rada_technical@mirashowers.com
www.radacontrols.com

Rada is a registered trademark of Kohler Mira Limited.
The company reserves the right to alter product specification without notice.
© October 2016 Kohler Mira Limited. All rights reserved.
No part of this document, or any accompanying document, may be reproduced or transmitted in any form or by any means, including photocopying or electronically, without the permission of Kohler Mira Limited.

A **KOHLER** COMPANY

