



SWADLING

BRASSWARE

Invincible Floor Mounted Non-thermostatic Mixer Installation Instructions



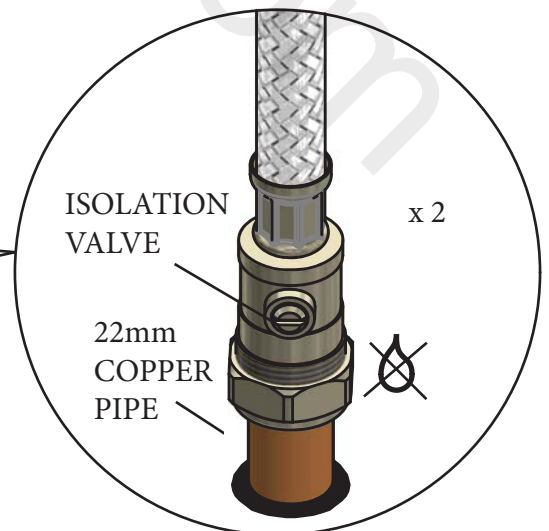
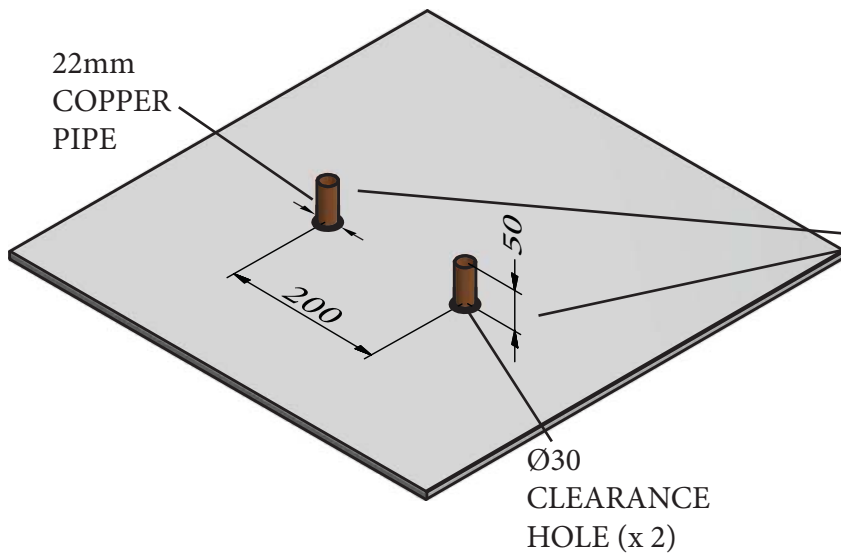
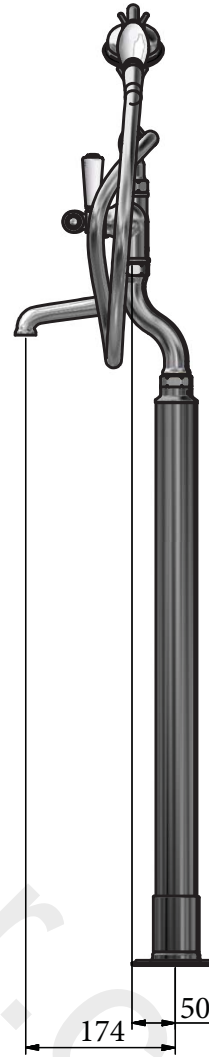
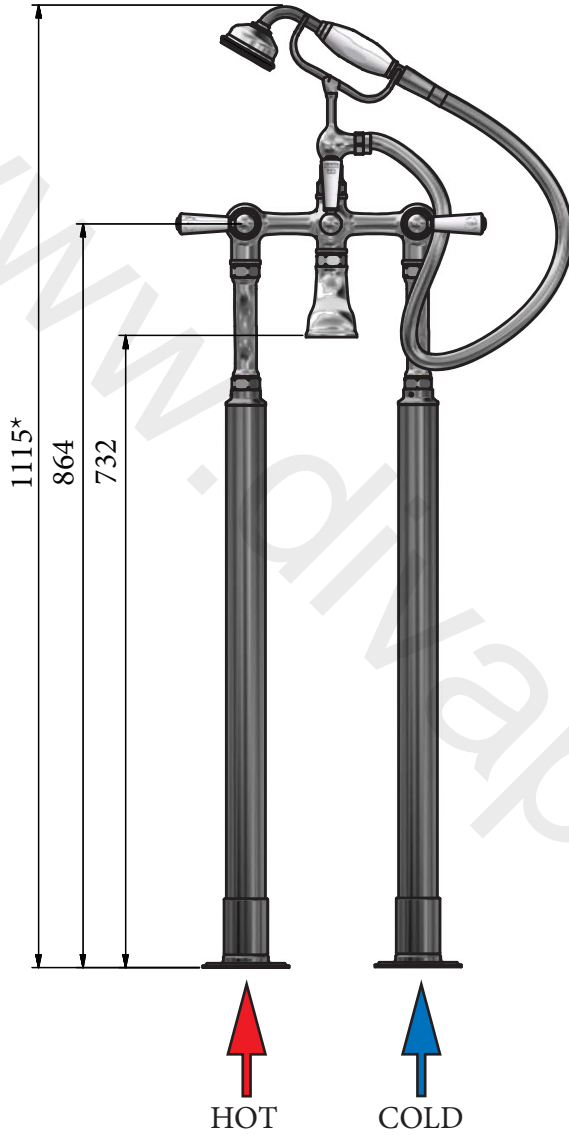
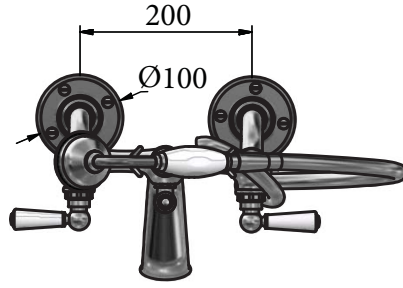
	White Ceramic	Black Ceramic
Bath and Shower	7840	7849
Bath filler only	7870	7879

Before disposing of the carton and commencing installation, please check all parts against the parts list on back page. Please contact us immediately if any parts are missing or damaged.

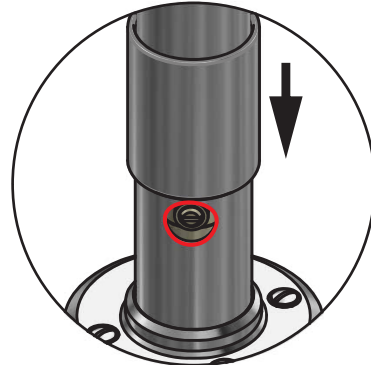
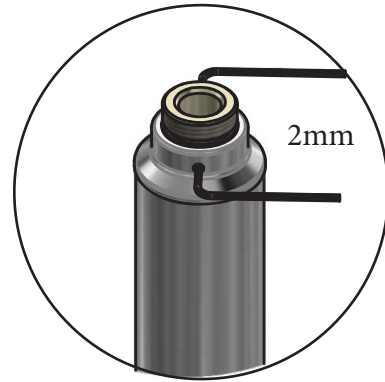
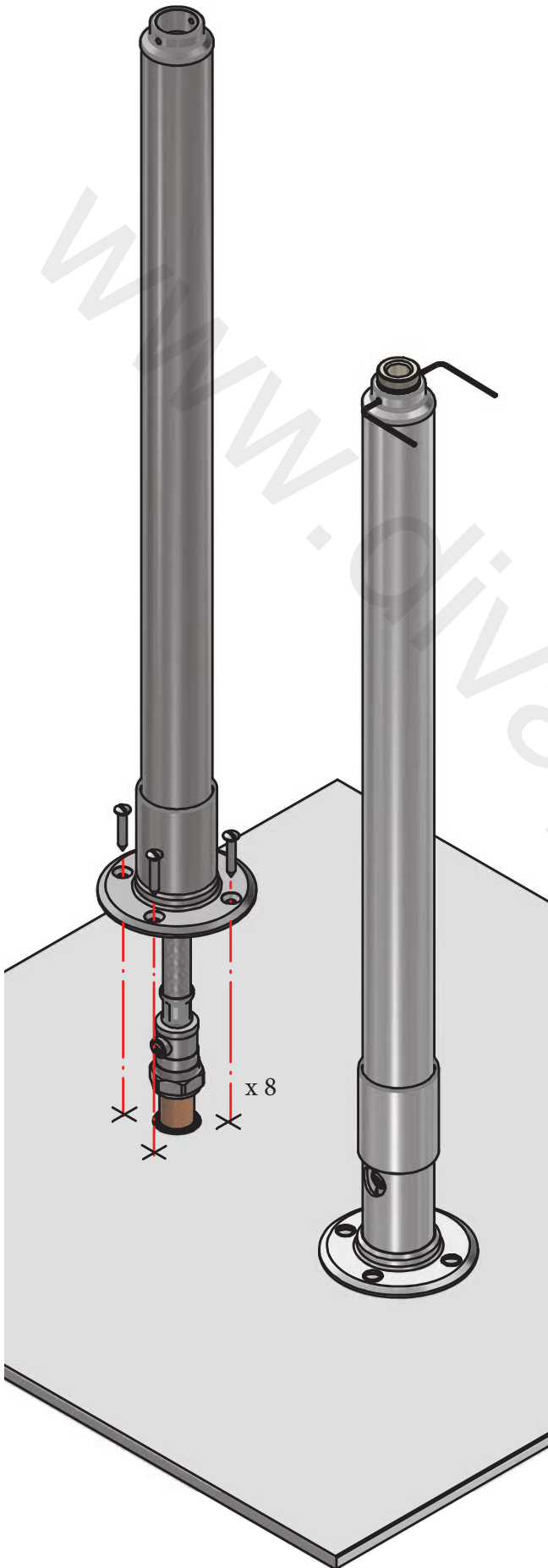
Swadling Brassware, Churchward Road, Yate, Bristol, BS37 5PL
Telephone: 02392 255536 Email: tech@swadlingbrassware.co.uk

DIMENSIONS & PLUMBING

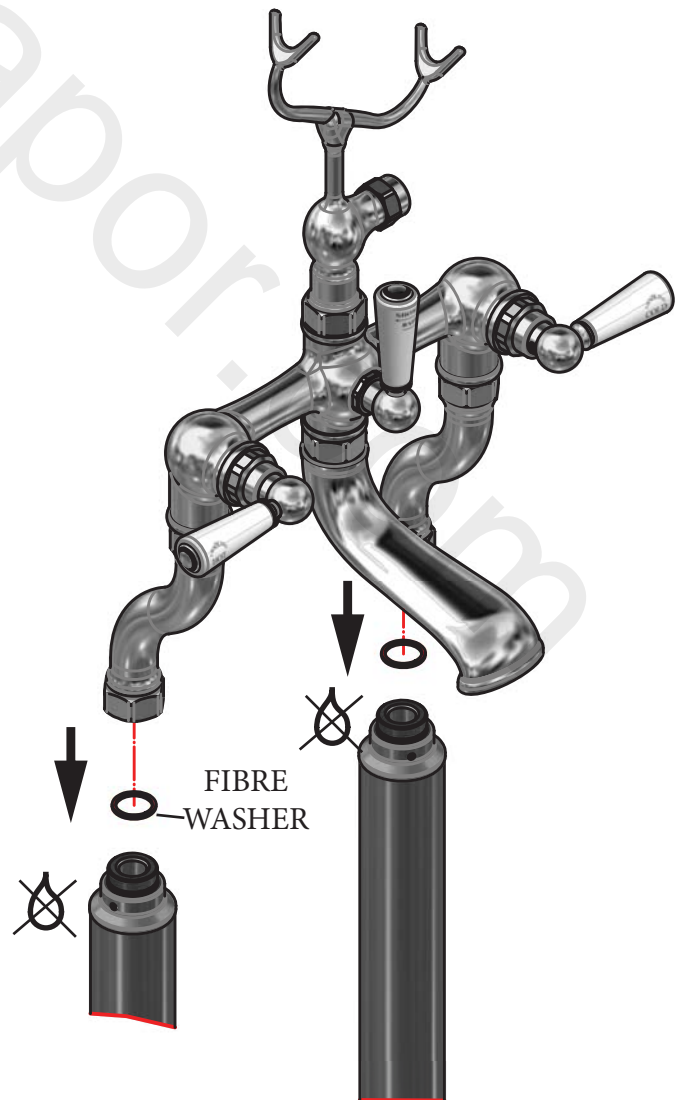
*HAND SHOWER OPTION ONLY AVAILABLE WITH MODELS: 7840/7849



INSTALLATION



ENSURE HOLE IN TUBE
LINES UP WITH ISOLATION VALVE



PARTS LIST

*PARTS ONLY
 AVAILABLE WITH MODELS:
 7840/7849

