



SWADLING

BRASSWARE

Engineer Wall Mount 3 Hole Basin Mixer (Manifold)
Installation Instructions

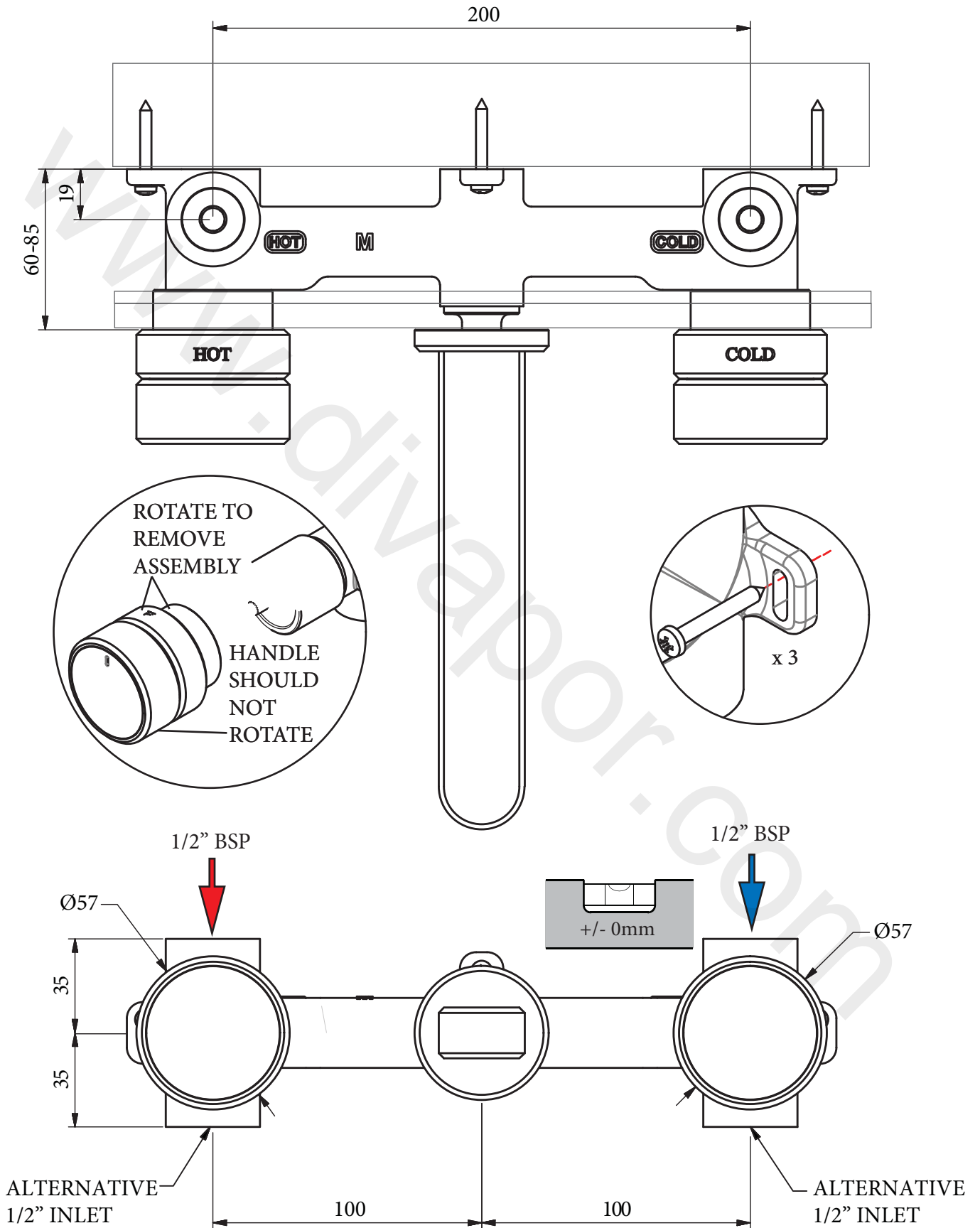


Standard Spout 8690
Long Spout 8710

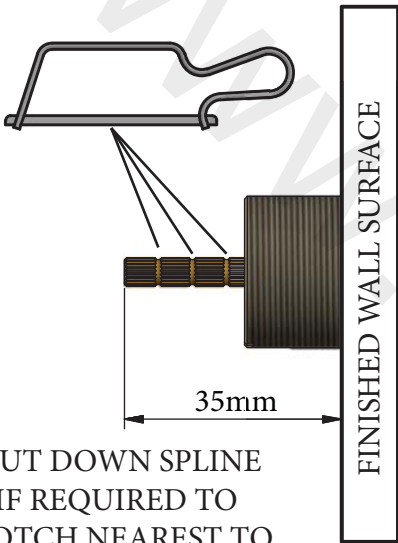
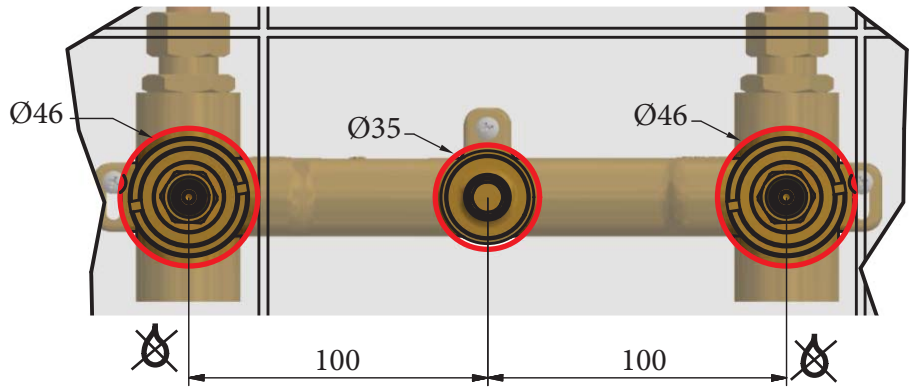
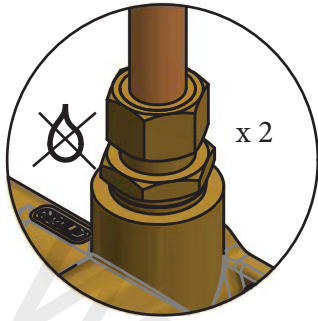
Before disposing of the carton and commencing installation, please check all parts against the parts list on back page. Please contact us immediately if any parts are missing or damaged.

Swadling Brassware, Churchward Road, Yate, Bristol, BS37 5PL
Telephone: 02392 255536 Email: tech@swadlingbrassware.co.uk

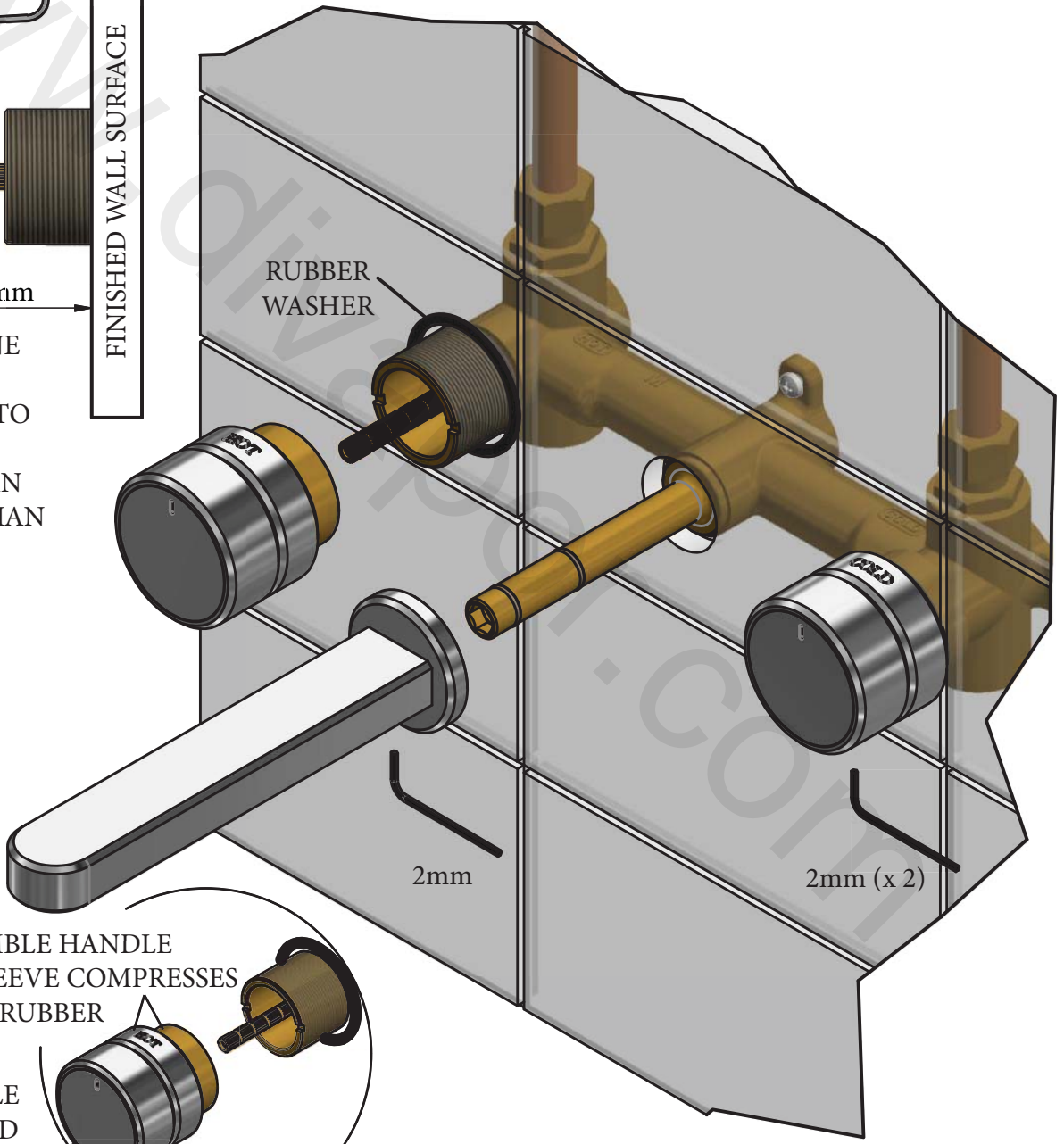
DIMENSIONS



INSTALLATION



CUT DOWN SPLINE
IF REQUIRED TO
NOTCH NEAREST TO
35mm
(NOTE: SPLINE CAN
NOT BE LONGER THAN
35mm)



RE-ASSEMBLE HANDLE
UNTIL SLEEVE COMPRESSES
AGAINST RUBBER
WASHER

HANDLE
SHOULD
NOT
ROTATE

ROTATE SLEEVE SO THAT ENGRAVING IS
AT THE TOP AND TIGHTEN GRUB SCREW

PARTS LIST

