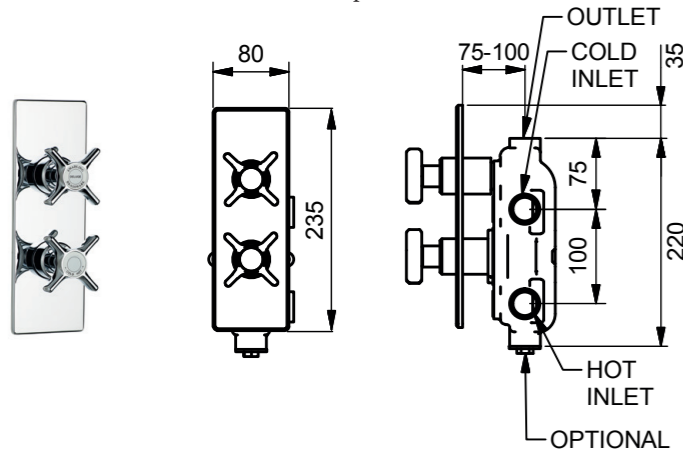


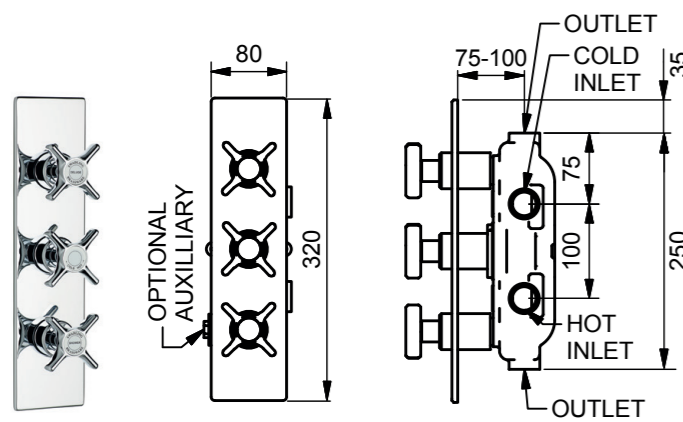
9100

Single Controlled Thermostatic Shower Mixer
One Controlled Outlet + Second Open Outlet



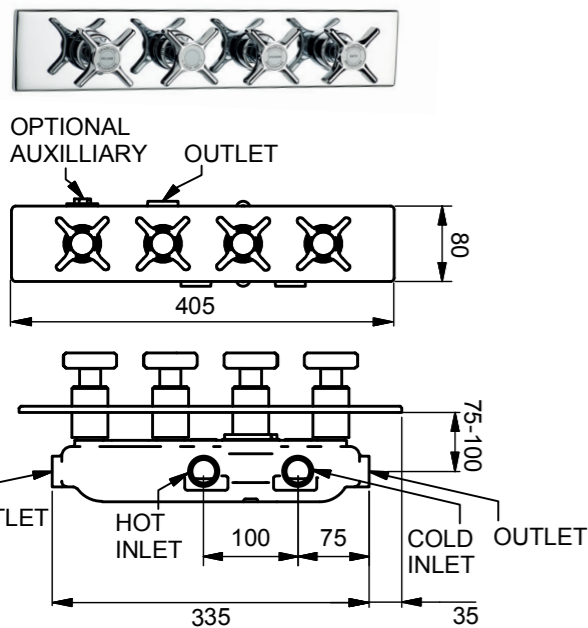
9200

Double Controlled Thermostatic Shower Mixer
Two Controlled Outlets + Third Open Outlet





9300



Triple Controlled Thermostatic Shower Mixer
Three Controlled Outlets + Fourth Open Outlet





9100, 9103, 9106, 9109

Models	Plumbing Information	Materials	Certifications
9100	White Glass Discs, Black Text <Hot/Cold; Shower>	Brass, Ceramic	 
9103	Mother of Pearl Discs. Collars Engraved <Swadling> <Hot/Cold >		
9106	Black Lip Pearl Discs. Collars Engraved <Swadling> <Hot/Cold >		
9109	Black Glass Discs, White Text <Hot/Cold; Shower>		
Flow Rate Information			
	0.5 bar	14.90 L/min	
	1.0 bar	21.24 L/min	
	3.0 bar	37.65 L/min	
Shower mixer body can be delivered in advance or separately to controls and plate. Surcharge may apply.			

9200, 9203, 9206, 9209

Models	Plumbing Information	Materials	Certifications
9200	White Glass Discs, Black Text <Hot/Cold; Shower; Deluge>	Brass, Ceramic	 
9203	Mother of Pearl Discs. Collars Engraved <Swadling> <Hot/Cold >		
9206	Black Lip Pearl Discs. Collars Engraved <Swadling> <Hot/Cold >		
9209	Black Glass Discs, White Text <Hot/Cold; Shower; Deluge>		
Flow Rate Information			
	0.5 bar	14.90 L/min	
	1.0 bar	21.24 L/min	
	3.0 bar	37.65 L/min	
Shower mixer body can be delivered in advance or separately to controls and plate. Surcharge may apply.			

9300, 9303, 9306, 9309

Models	Plumbing Information	Materials	Certifications
9300	White Glass Discs, Black Text <Hot/Cold; Shower; Deluge; Bath>	Brass, Ceramic	 
9303	Mother of Pearl Discs. Collars Engraved <Swadling> <Hot/Cold >		
9306	Black Lip Pearl Discs. Collars Engraved <Swadling> <Hot/Cold >		
9309	Black Glass Discs, White Text <Hot/Cold; Shower; Bath>		
Flow Rate Information			
	0.5 bar	13.69 L/min	
	1.0 bar	20.20 L/min	
	3.0 bar	35.72 L/min	
Shower mixer body can be delivered in advance or separately to controls and plate. Surcharge may apply.			