



SWADLING

BRASSWARE

Illustrious Deck Mount Non Thermostatic Bath Mixer Installation Instructions



Bath/Shower 9833
Bath filler only 9863

9830
9860

9836
9866

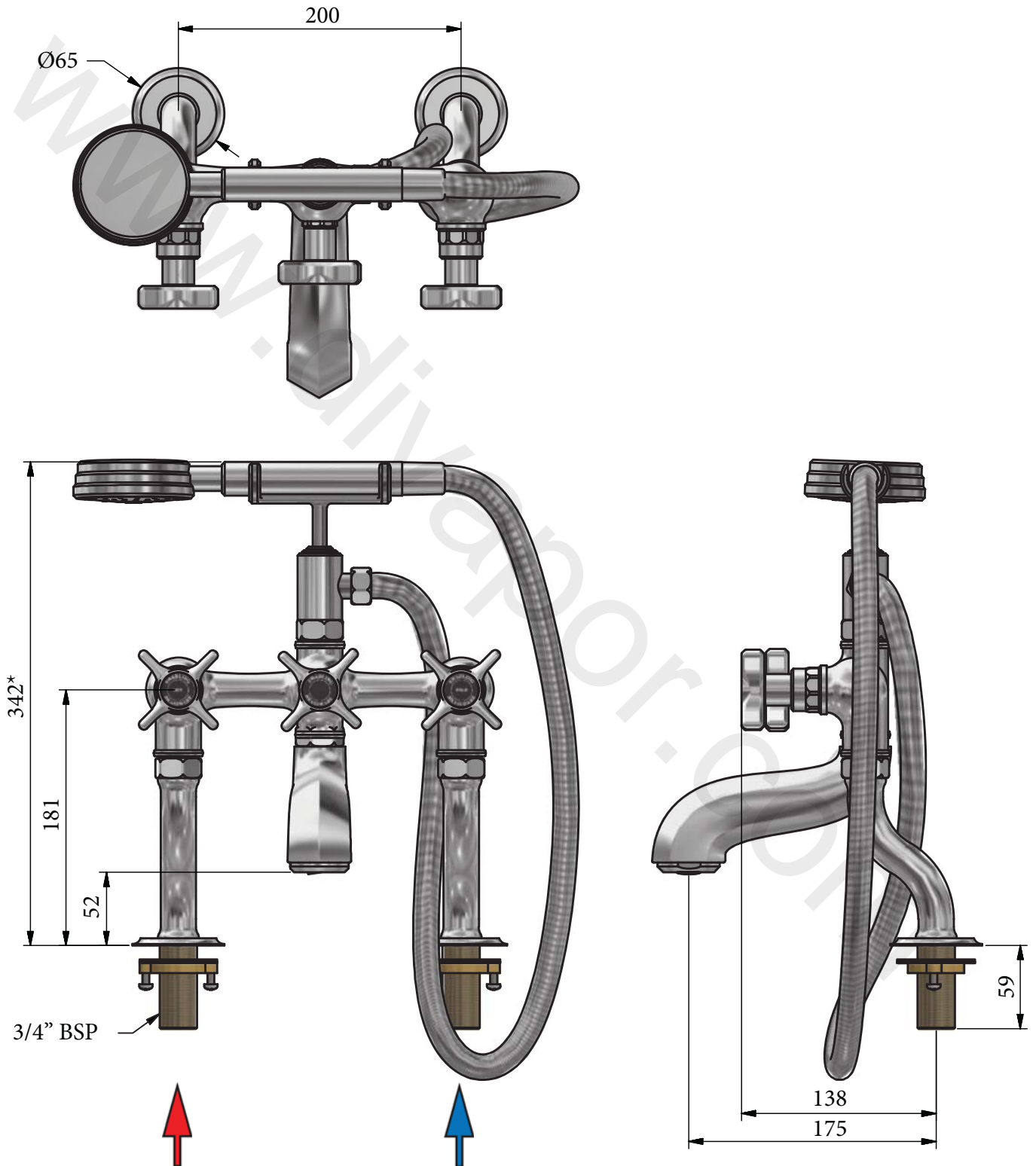
9839
9869

Before disposing of the carton and commencing installation, please check all parts against the parts list on back page. Please contact us immediately if any parts are missing or damaged.

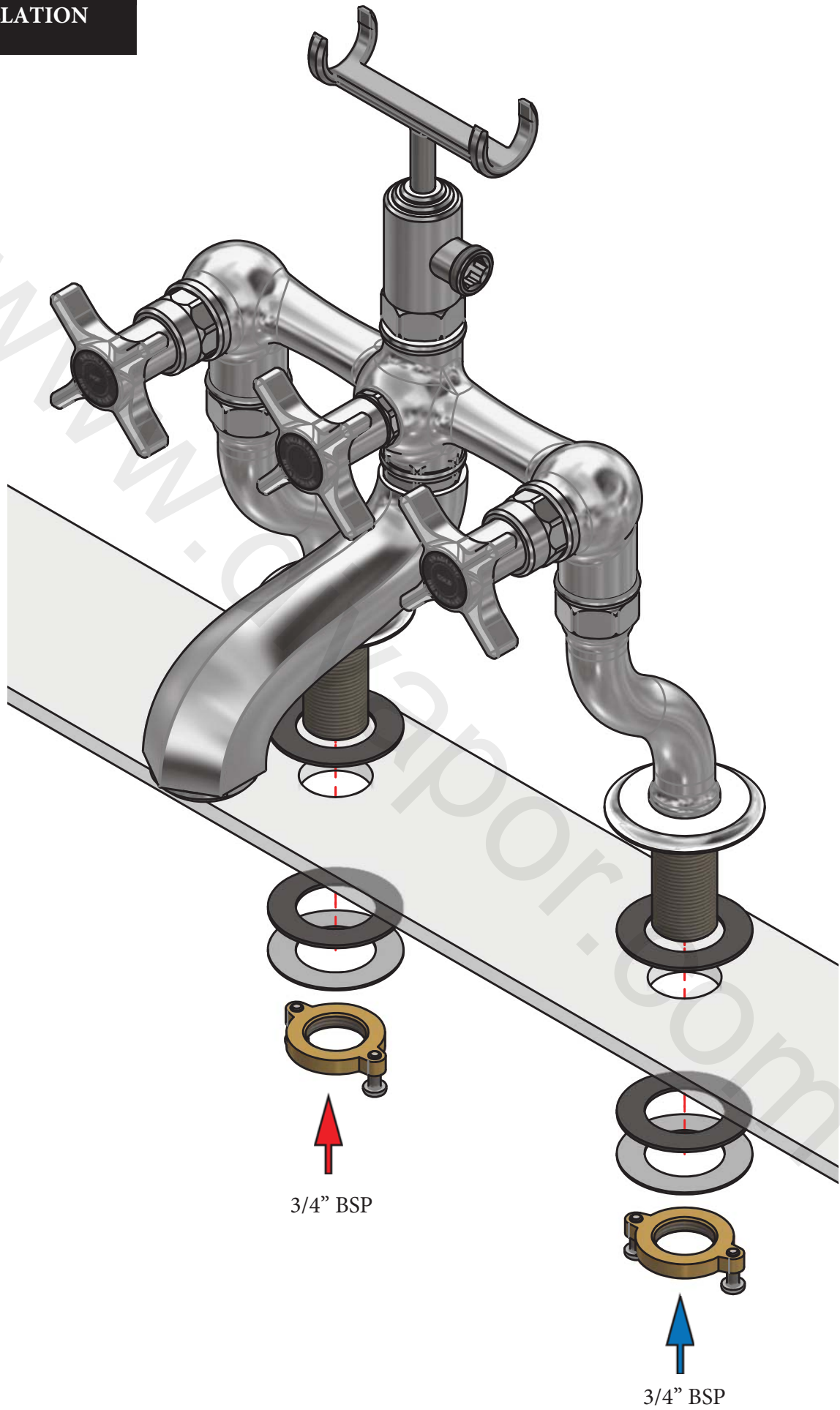
Swadling Brassware, Churchward Road, Yate, Bristol, BS37 5PL
Telephone: 02392 255536 Email: tech@swadlingbrassware.co.uk

DIMENSIONS

*HAND SHOWER OPTION
ONLY AVAILABLE WITH
MODELS:
9830/9833/9836/9839



INSTALLATION

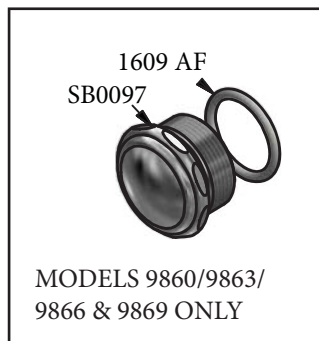
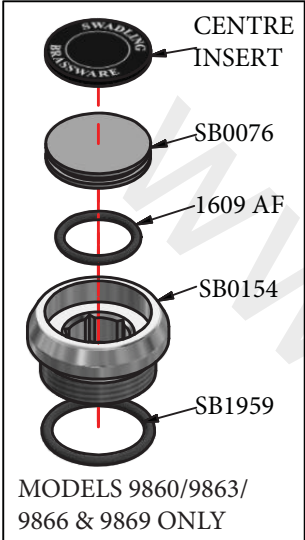


PARTS LIST

*PARTS ONLY AVAILABLE WITH MODELS:
9830/9833/9836/9839

HOT INSERT	
COLOUR	PART No.
MOP	S B0016
BLACK LIP MOP	S B0019
WHITE DISC	S B0009
BLACK DISC	S B0011

COLD INSERT	
COLOUR	PART No.
MOP	S B0017
BLACK LIP MOP	S B0020
WHITE DISC	S B0010
BLACK DISC	S B0012



CENTRE INSERT	
COLOUR	PART No.
MOP	S B0015
BLACK LIP MOP	S B0018
WHITE DISC	S B0013
BLACK DISC	S B0014

