



# SWADLING

## BRASSWARE

### Illustrious Floor Mounted Non-thermostatic Mixer Installation Instructions



Bath and Shower 9840  
Bath filler only 9870

9843  
9873

9846  
9876

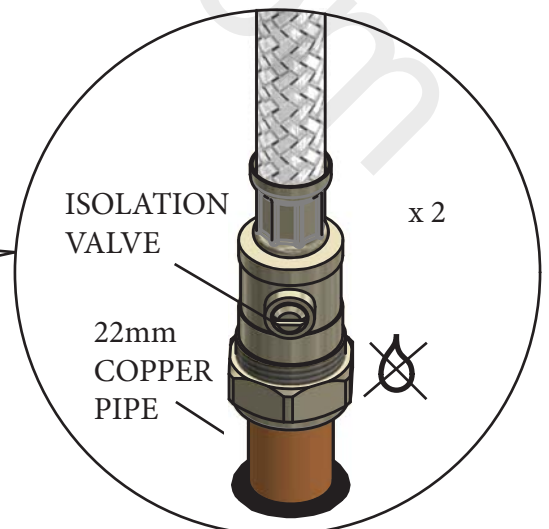
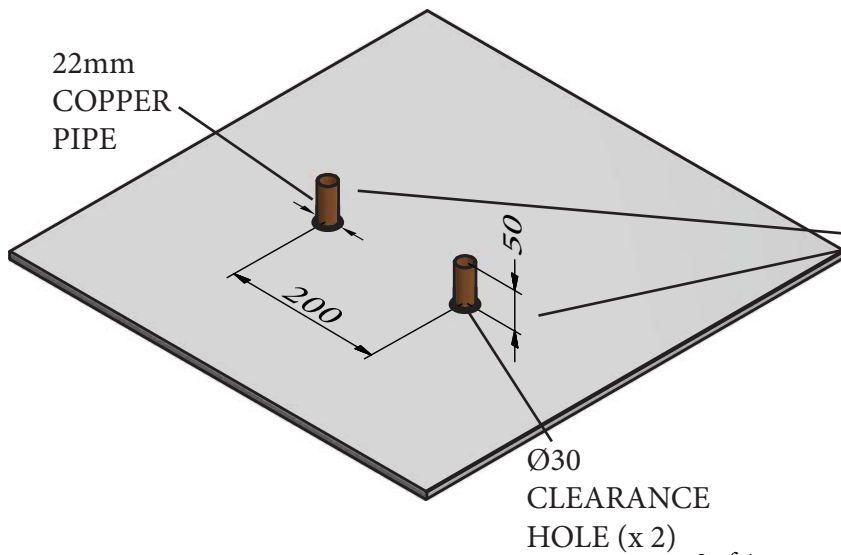
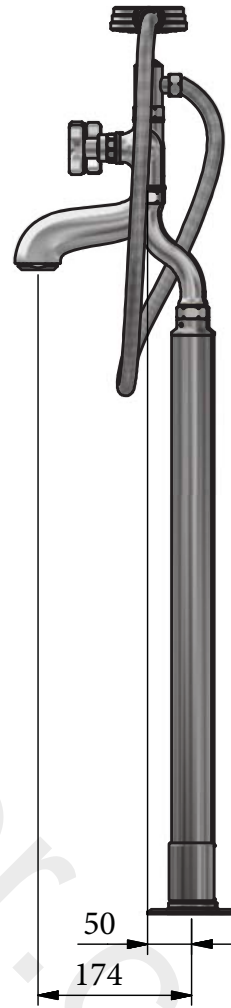
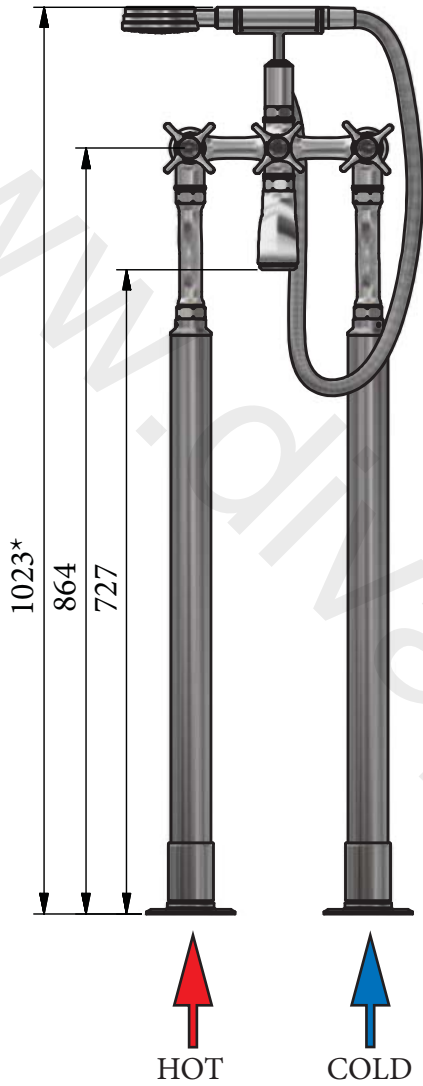
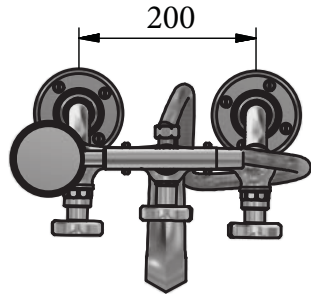
9849  
9879

Before disposing of the carton and commencing installation, please check all parts against the parts list on back page. Please contact us immediately if any parts are missing or damaged.

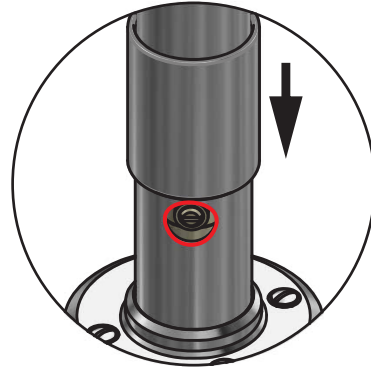
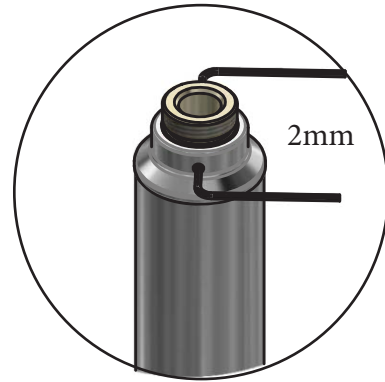
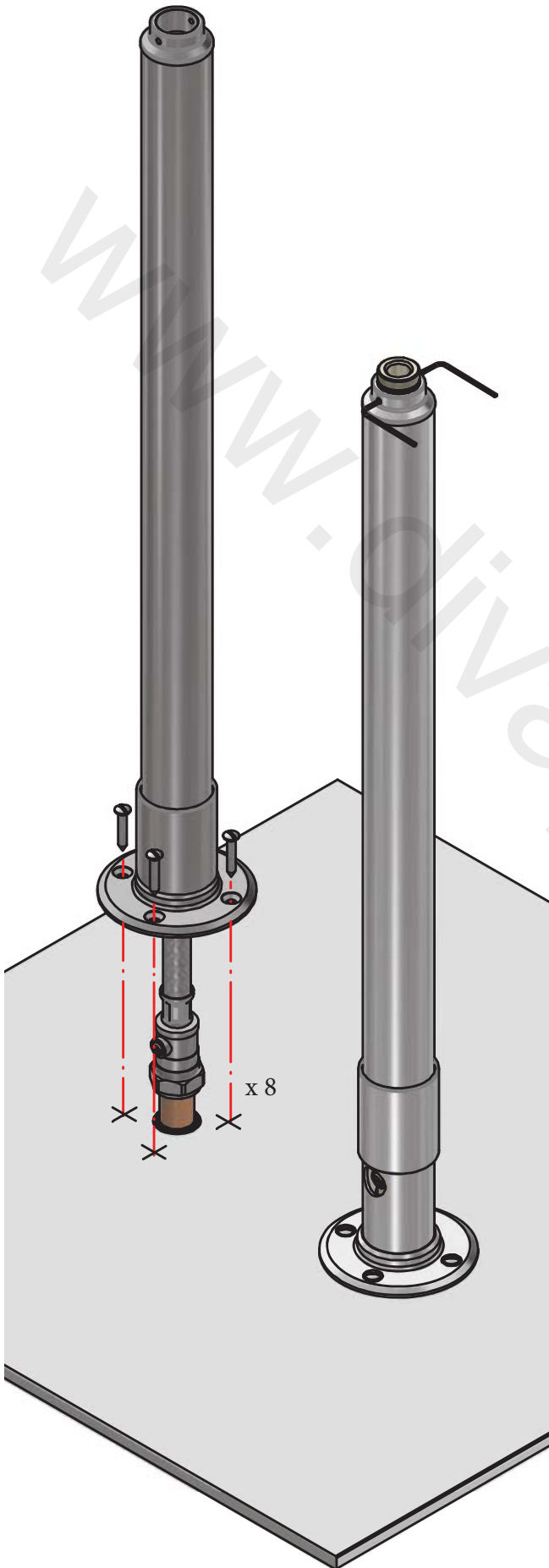
Swadling Brassware, Churchward Road, Yate, Bristol, BS37 5PL  
Telephone: 02392 255536 Email: tech@swadlingbrassware.co.uk

**DIMENSIONS  
& PLUMBING**

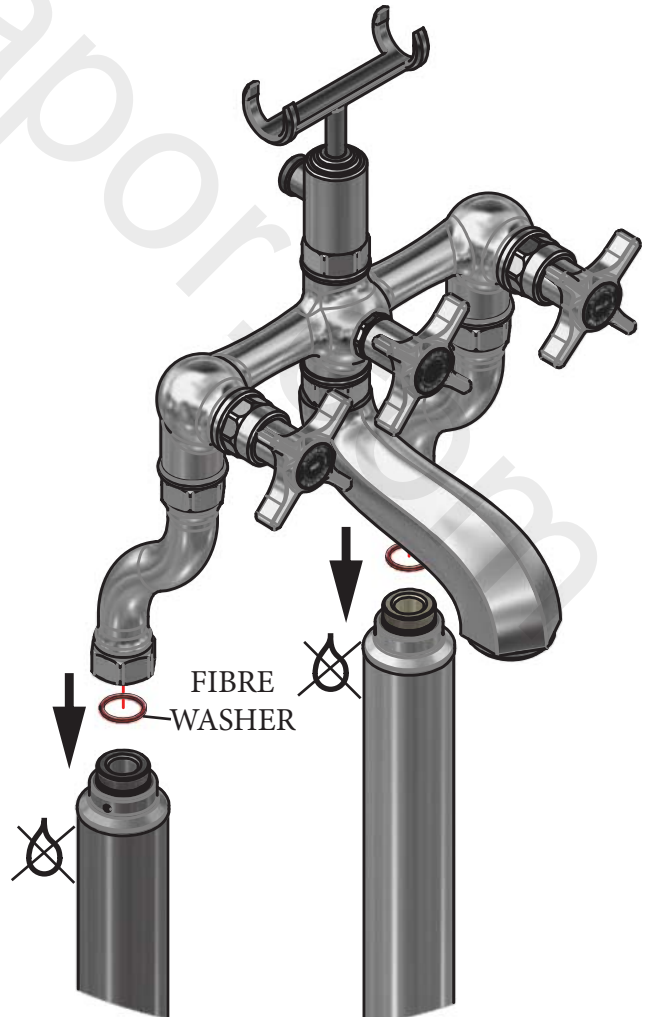
\*HAND SHOWER OPTION  
ONLY AVAILABLE WITH  
MODELS:  
9840/9843/9846/9849



# INSTALLATION



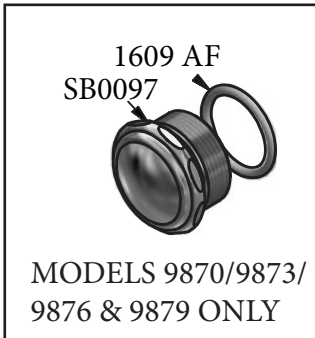
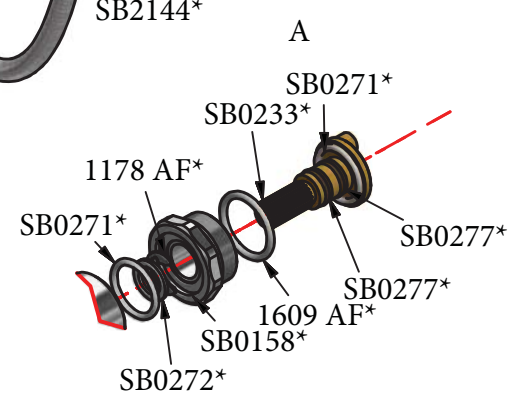
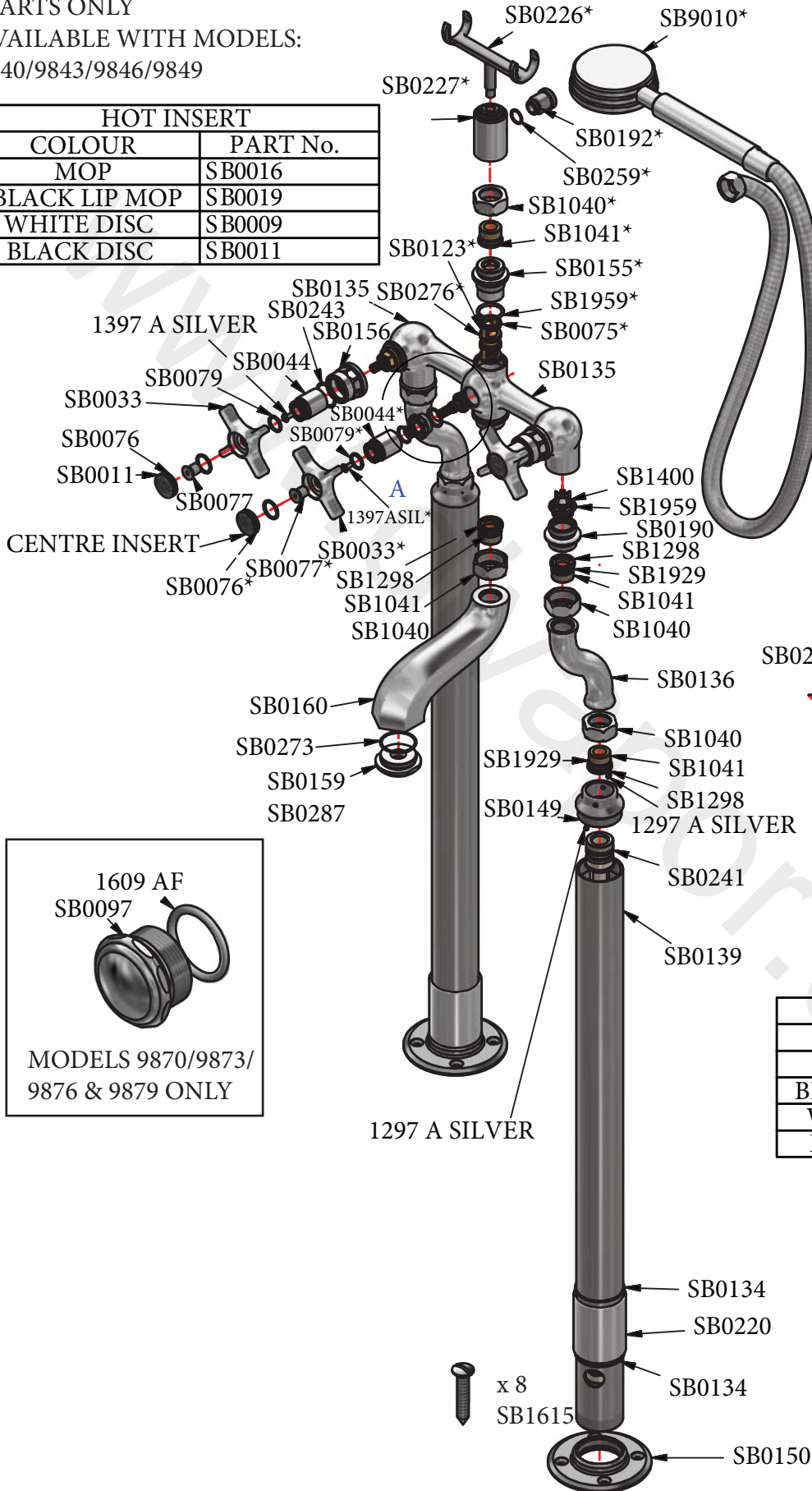
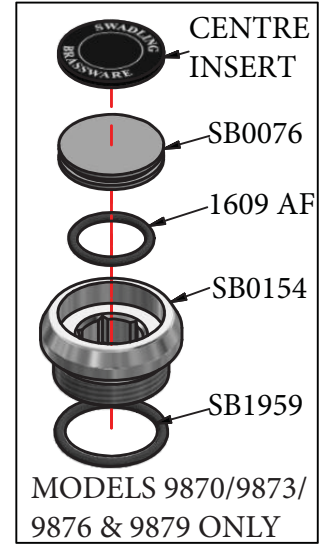
ENSURE HOLE IN TUBE  
LINES UP WITH ISOLATION VALVE



# PARTS LIST

\*PARTS ONLY  
 AVAILABLE WITH MODELS:  
 9840/9843/9846/9849

HOT INSERT	
COLOUR	PART No.
MOP	SB0016
BLACK LIP MOP	SB0019
WHITE DISC	SB0009
BLACK DISC	SB0011



COLD INSERT	
COLOUR	PART No.
MOP	SB0017
BLACK LIP MOP	SB0020
WHITE DISC	SB0010
BLACK DISC	SB0012

CENTRE INSERT	
COLOUR	PART No.
MOP	SB0015
BLACK LIP MOP	SB0018
WHITE DISC	SB0013
BLACK DISC	SB0014