

# AQUAS<sup>®</sup> INSTRUCTION GUIDE AND USER MANUAL

INSTANTANEOUS ELECTRIC WATER HEATER - INDULGE TOUCH  
By AQUABELLA SHOWER CO.,LTD.



**IMPORTANT!**  
This Step-by-Step guide should be given to the customer  
after installation and demonstration.

These instructions contain all the necessary fitting and operating instructions for your electric shower. Care taken during the installation will provide a long, trouble free life from your shower.

# PLEASE READ THIS IMPORTANT SAFETY INFORMATION

---



**WARNING:** DO NOT operate shower if frozen, or suspected of being frozen. It must thaw out before using.



**DO NOT** operate the unit if the showerhead or spray hose becomes damaged.



**DO NOT** restrict flow out of shower by placing showerhead in direct contact with your body.



**DO NOT** operate the shower if water ceases to flow during use or if water has entered inside the unit because of an incorrectly fitted cover.



**WARNING:** If restarting the shower immediately after stopping, be aware that a slug of hot water will be expelled for the first few seconds.

## PLEASE READ THIS IMPORTANT SAFETY INFORMATION (CONT.)

---

**IMPORTANT:** This appliance is not intended for use by persons (including children) with reduced physical, sensory or mental capabilities, or lack of experience and knowledge, unless they have been given supervision or instruction concerning use of the appliance by a person responsible for their safety. Children should be supervised to ensure that they do not play with the appliance.

---

**IMPORTANT:** To comply with water regulations, building regulations or any specific local water company regulations and should be in accordance with BS EN 806. A double check valve must be fitted with all flexible shower accessories where it is possible that the showerhead may come into contact with used water i.e. in the bath or shower tray.

---

**IMPORTANT:** Before turning on the water supply to the shower unit the water supply pipe should be flushed out to remove debris. After flushing the pipework ensure that the shower unit is positioned squarely on the wall and tighten the screws. Tighten all plumbing connections and check the pipework for leaks.

---

**IMPORTANT:** Ensure that the terminal block screws are fully tightened and that no cable insulation is trapped under screws. Ensure the cable clamp is used to secure the cable. The earth continuity conductor of the electrical installation must be effectively connected to all exposed metal parts of other appliances and services in the room in which the shower unit is installed to confirm.

---

**CAUTION:** Check there are no hidden cables or pipes before drilling holes for wall plugs. Exercise great care when using power tools near water. The use of a residual current device (RCD) is recommended.

---

**IMPORTANT:** Turn the Temperature control knob anticlockwise until the valve is fully open before switching on the unit. This will ensure a fast fill up of the unit when the shower is first switched on.

---

**IMPORTANT:** The shower unit must be full of water before heat settings are used.

---

**WARNING:** If re-starting the shower immediately after stopping, be aware that a slug of hot water will be expelled for the first few seconds.

---

**ATTENTION:** Do not operate the shower unit if the showerhead or hose becomes damaged. The shower is designed and approved to EN-60335 with the showerhead provided. Under no circumstances must any showerhead that is not approved by the manufacturer be used with this product.

---

# IMPORTANT

---

- Shower Installation must be carried out by a suitably qualified person and conform with IEE Regulations and comply with water regulations, building regulations or any specific local water company regulations and should be in accordance with BS EN 806.
- This shower unit is designed to be connected to a 15mm cold water mains supply. Do not connect to a tank supply unless a suitable booster pump is fitted.
- To make sure of activating the heating elements, the shower must be connected to a mains water supply with a minimum running pressure of 100kPa (15 lb/sq in) - (1 Bar) at a minimum flow rate of 8 litres per minute. The maximum static pressure must be no greater than 1000kPa (150 lb/sq in) - (10 Bar). (Minimum running pressure must be obtained at 9 litres/minute
- The shower unit must not be fitted where it may be exposed to frost, for example in an outdoor area. The shower must not be used if suspected of being frozen. Frost damage is not covered by the guarantee.
- Plumbers jointing compound must not be used. In instances of difficult joints use P.T.F.E. Tape. The use of compound invalidates the guarantee.
- All plumbing connections must be completed before making the electrical connections.
- Always switch off at the isolating switch when not in use.

## GENERAL ADVICE TO SHOWER UNIT USERS

---

The flow rate of water passing through the shower unit determines the water temperature. The lower the flow the warmer the water, the higher the flow the cooler the water.

The temperature produced by the shower unit will vary between seasons on any one setting of the temperature control. This is due to variance in the temperature of the water supply, which becomes cooler in winter than summer.

The stabiliser valve maintains an almost constant shower temperature during mains water pressure changes.

If changes in temperature are experienced in normal use, it is likely to be caused by water pressure falling below the minimum level. Falls in water pressure may be due to water being drawn off at other points within the building.

The showerhead and filter must be cleaned regularly to remove scale and debris. If the water becomes hot and you are unable to obtain cooler water, check the showerhead and filter for blockage.

# GENERAL LAYOUT OF A SHOWER INSTALLATION

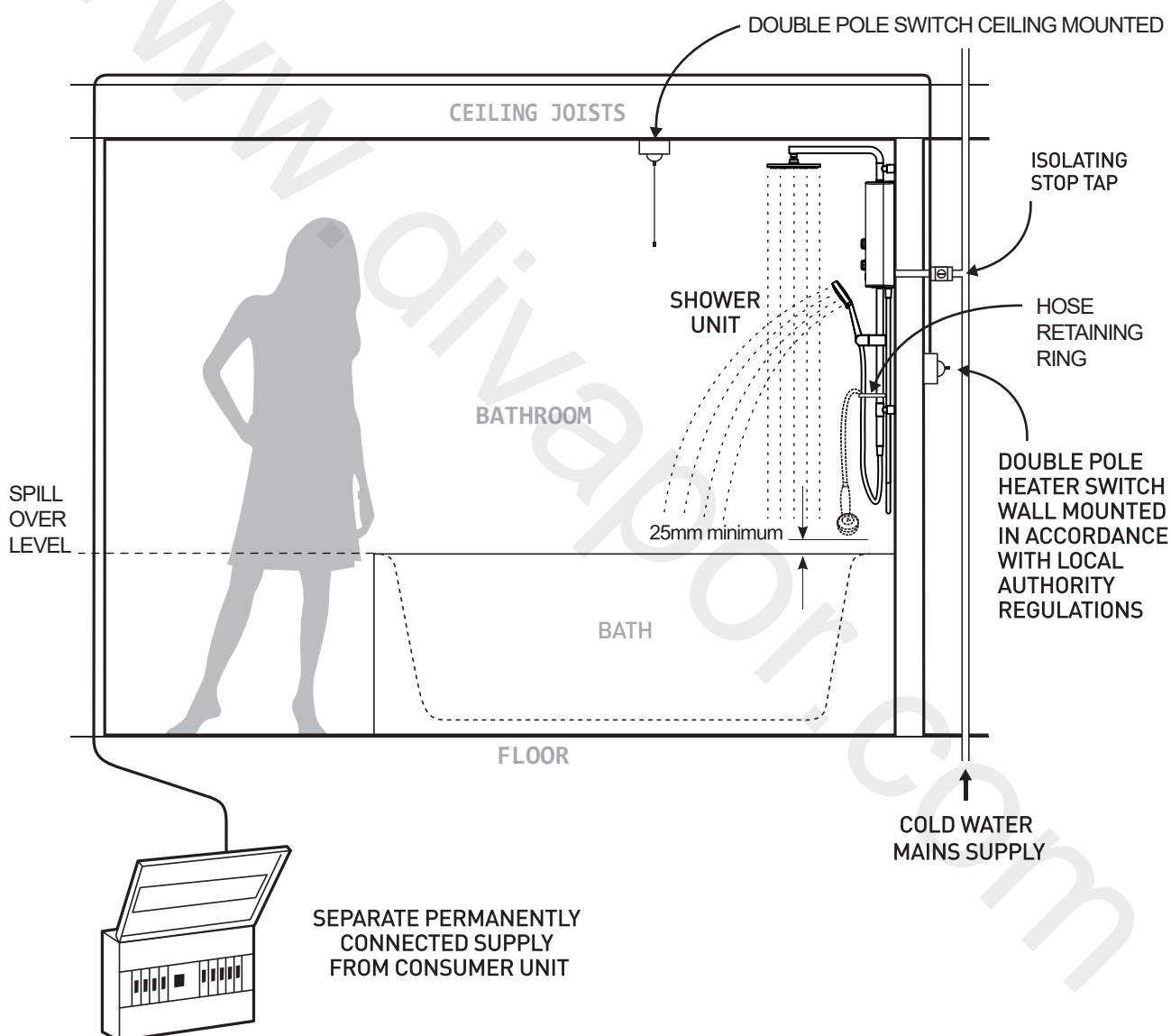
## A TYPICAL INSTANTANEOUS ELECTRIC SHOWER INSTALLATION

Plan your own installation carefully. Check on the nearest and most readily accessible rising mains water supply, this may be beneath the bath or in the loft, where it feeds the cold water storage tank. Use only the cold rising water main supply.

Do not connect the shower unit to the outlet from the cold water tank.

Avoid connecting the shower unit, if possible, where it will be affected by water drawn off by other appliances, e.g. From the mains feed to the W.C. This may cause a drop in pressure too low for the shower unit to work correctly.

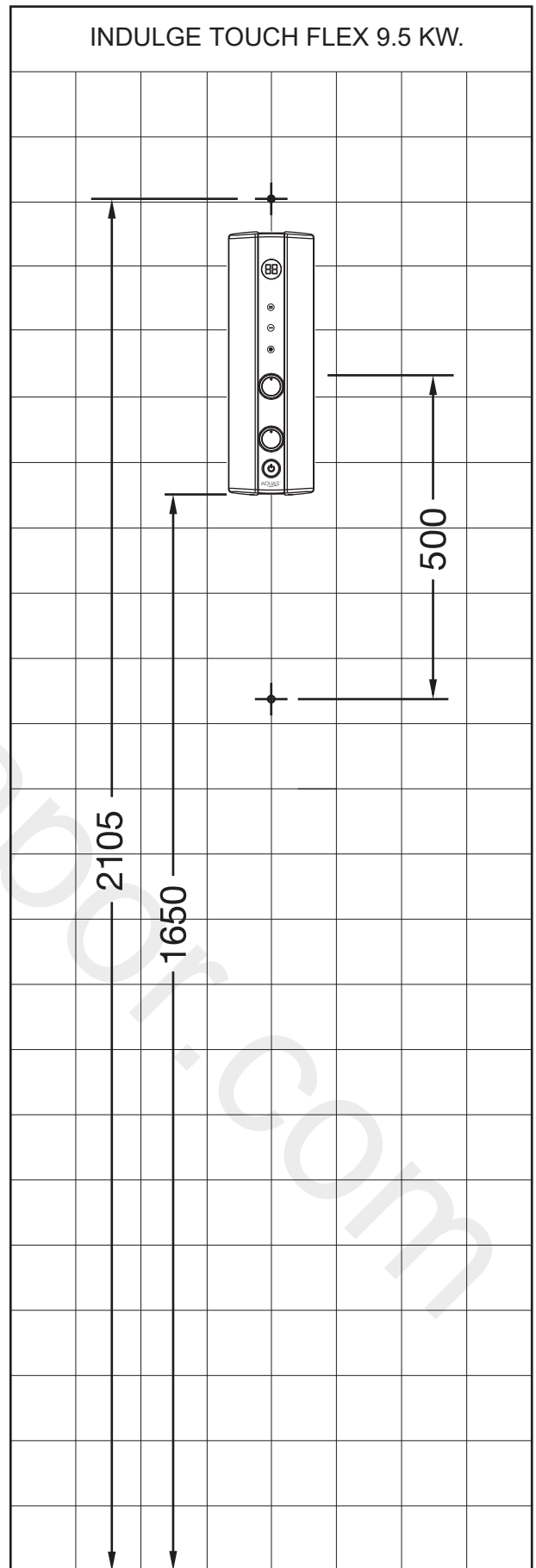
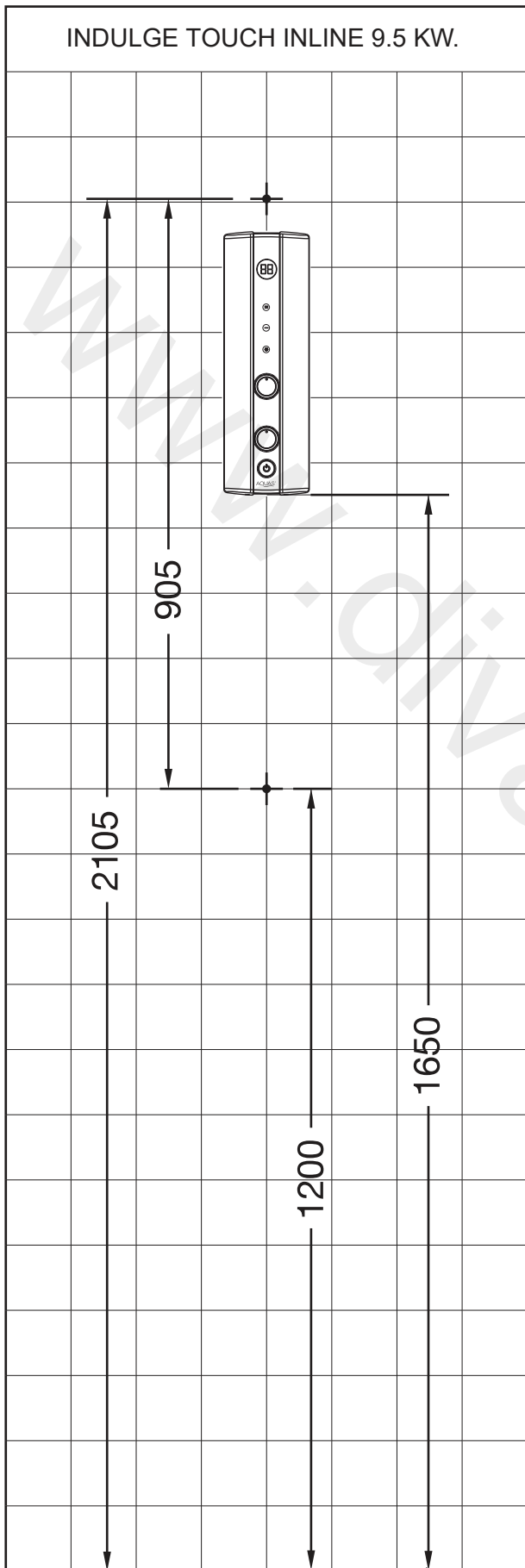
An isolating valve must be fitted to comply with water regulations and for servicing purposes.



### ⚠ IMPORTANT ⚠

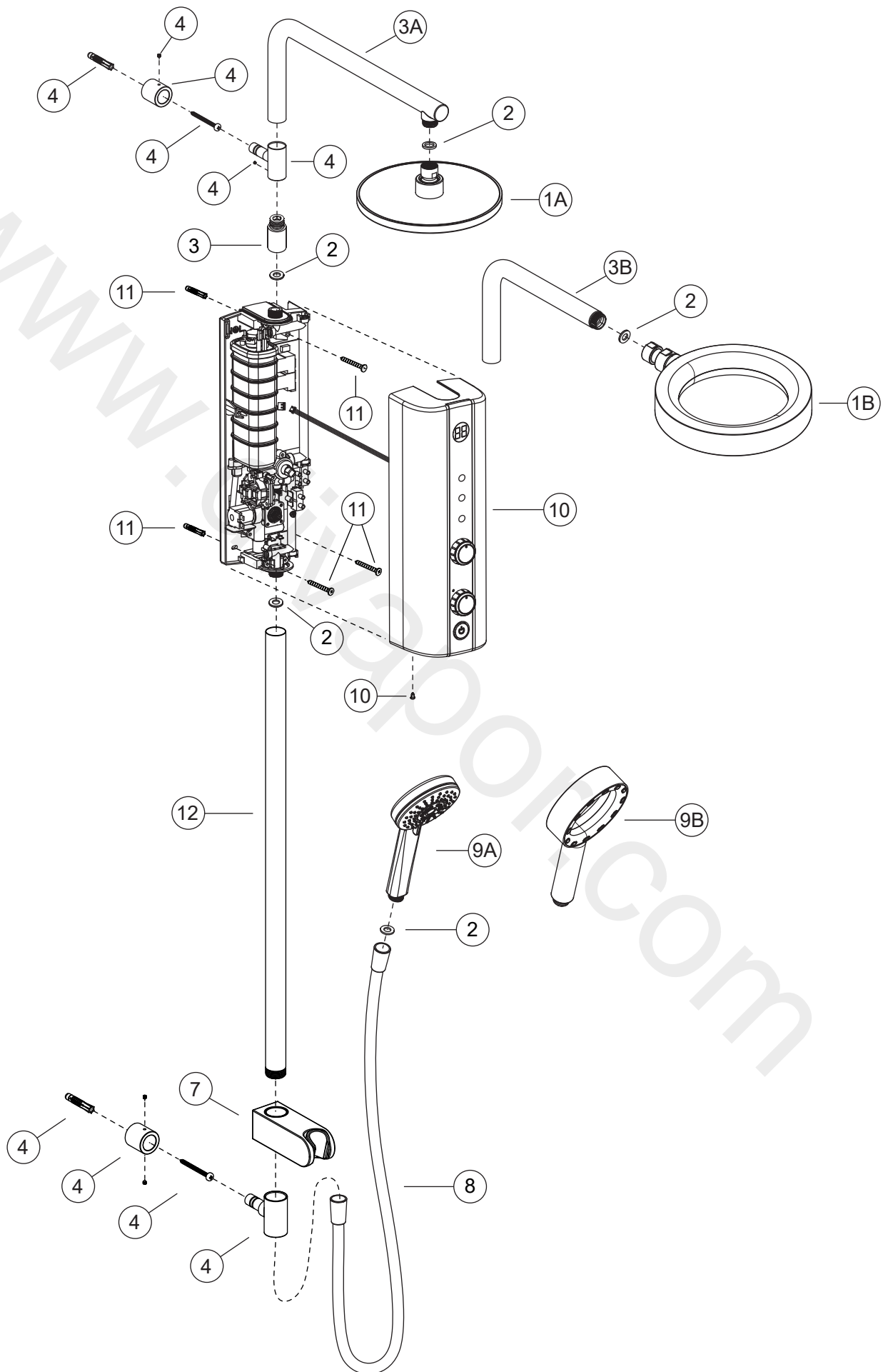
This appliance is not intended for use by persons (Including children) with reduced physical, sensory or mental capabilities, or lack of experience and knowledge, unless they have been given supervision or instruction concerning use of the appliance by a person responsible for their safety. Children should be supervised to ensure that they do not play with the appliance.

# RECOMMENDED INSTALLATION DIMENSIONS

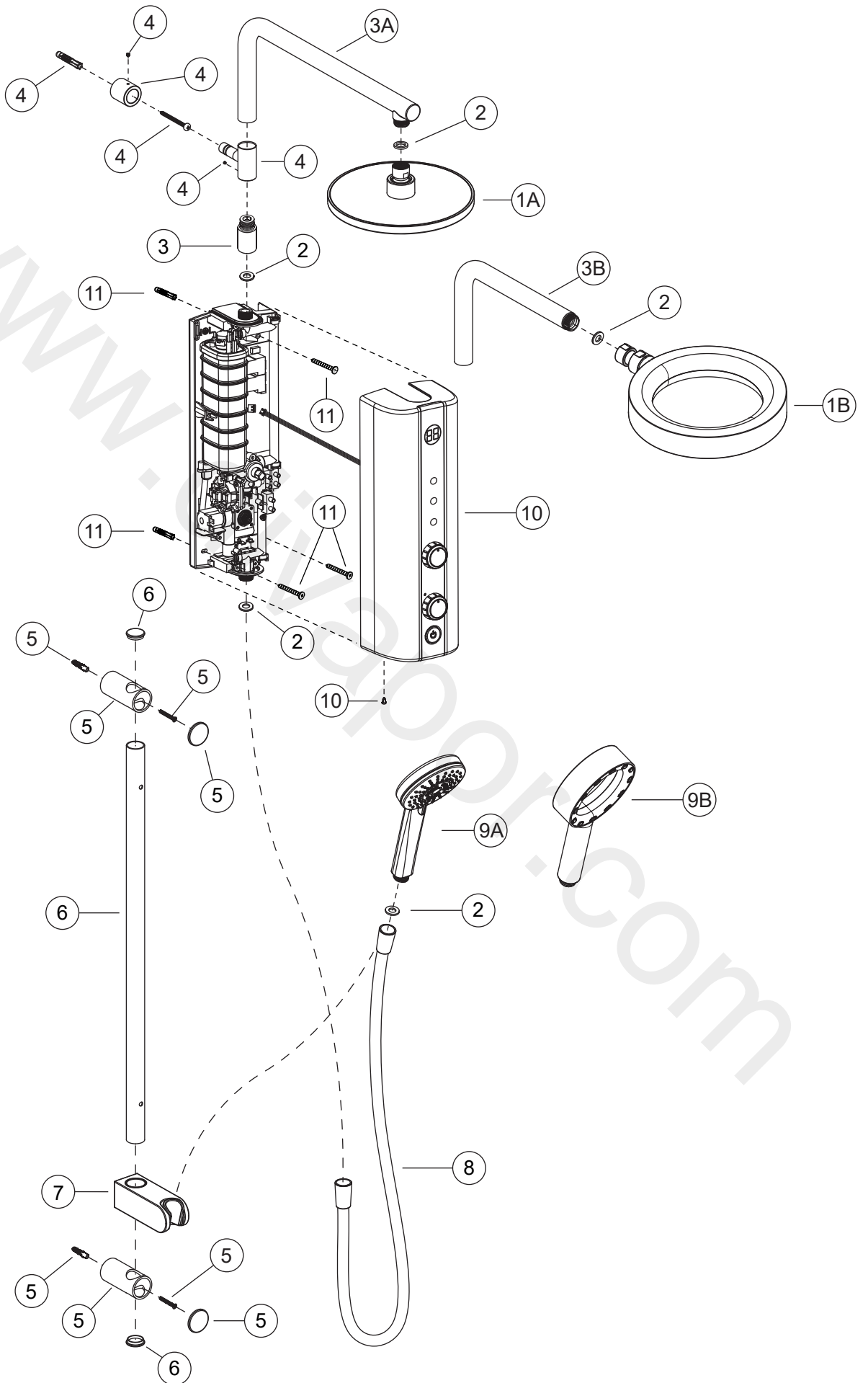




# INDULGE TOUCH INLINE 9.5 KW MANUAL WATER HEATERS



# INDULGE TOUCH FLEX 9.5 KW MANUAL WATER HEATERS

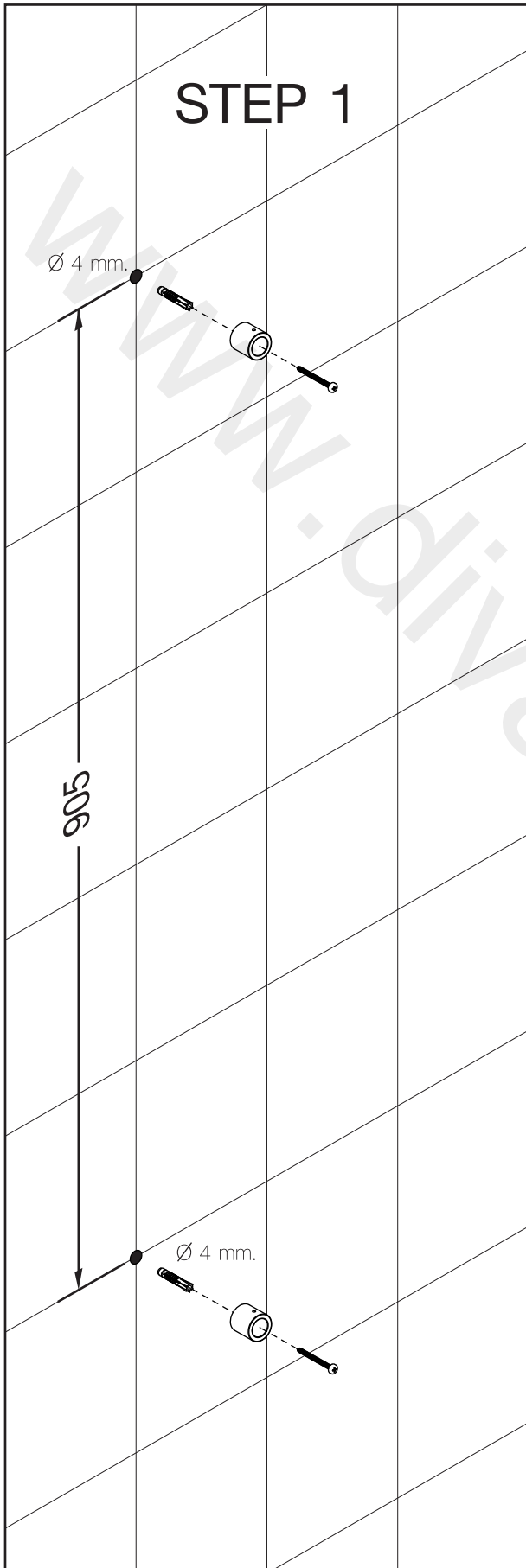




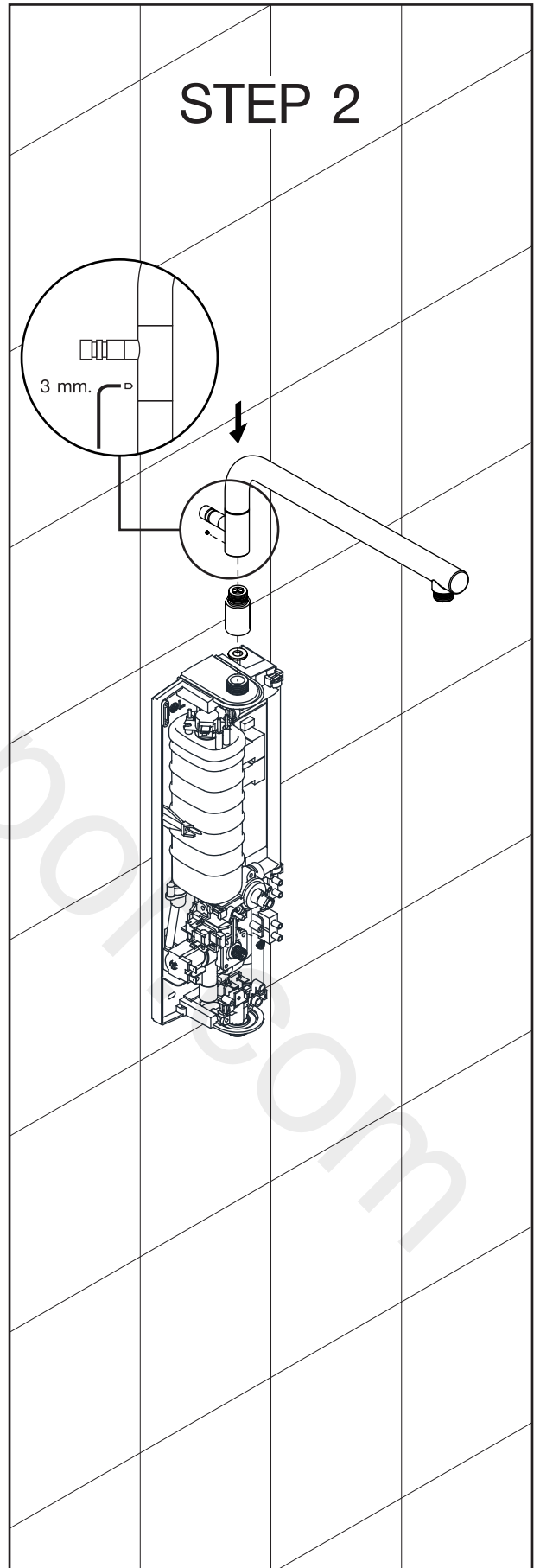
# ASSEMBLY OF UPPER SHOWERING COMPONENTS

for INDULGE TOUCH INLINE MODELS

## STEP 1

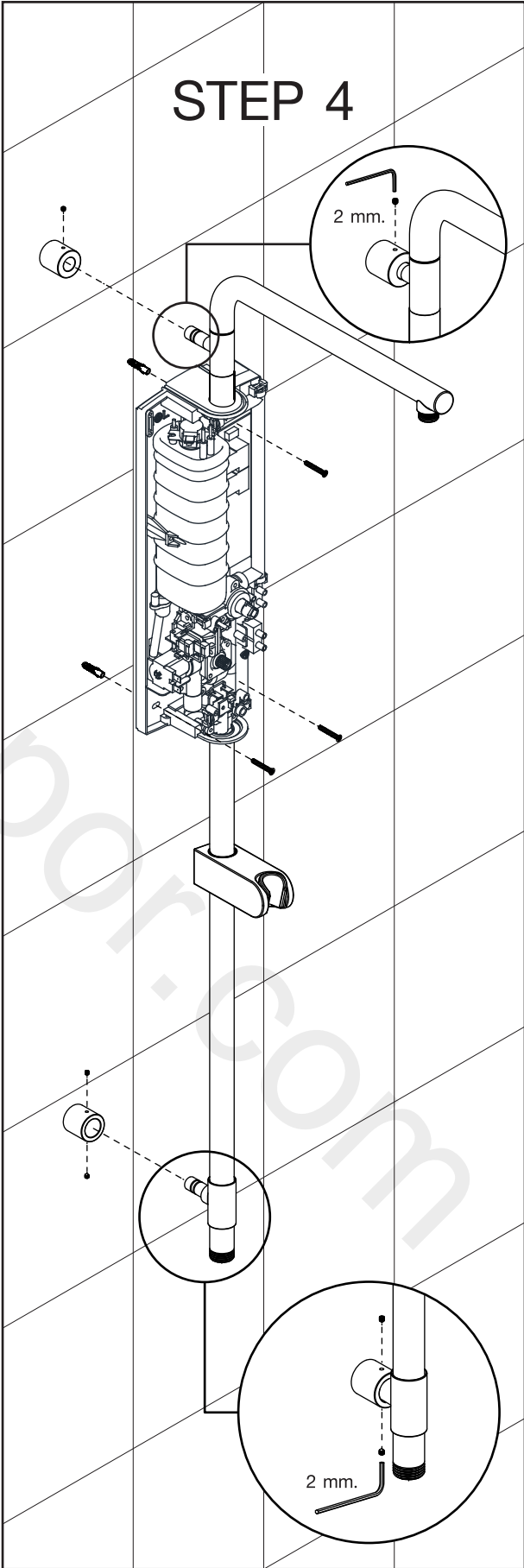
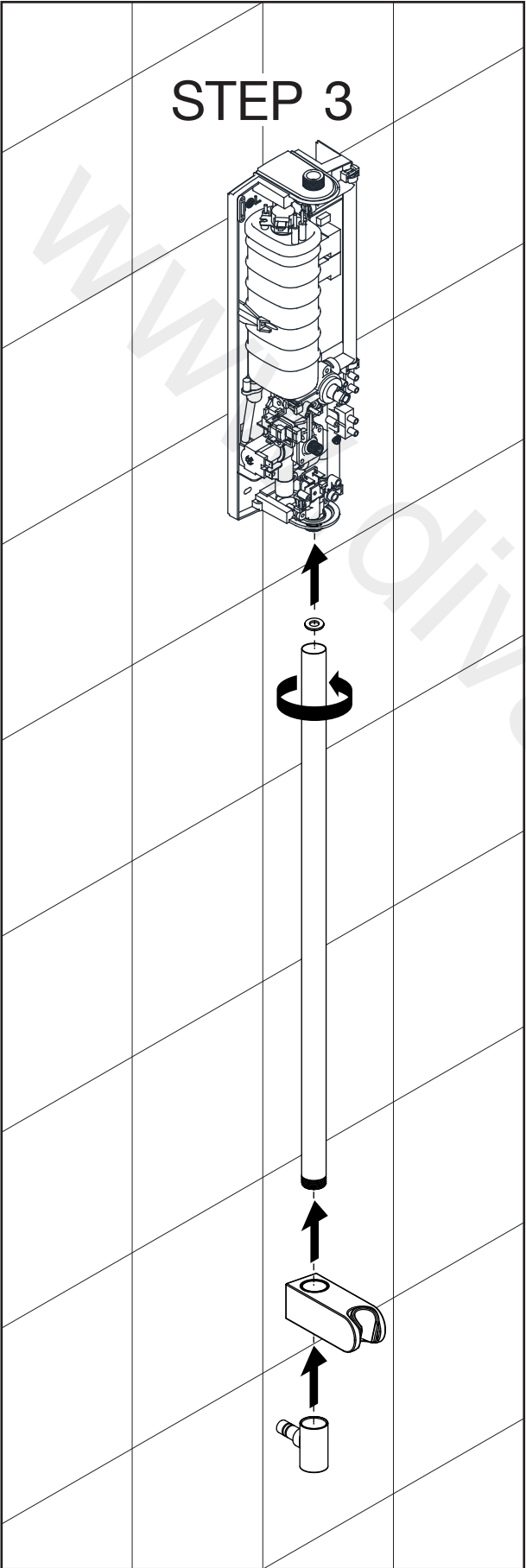


## STEP 2



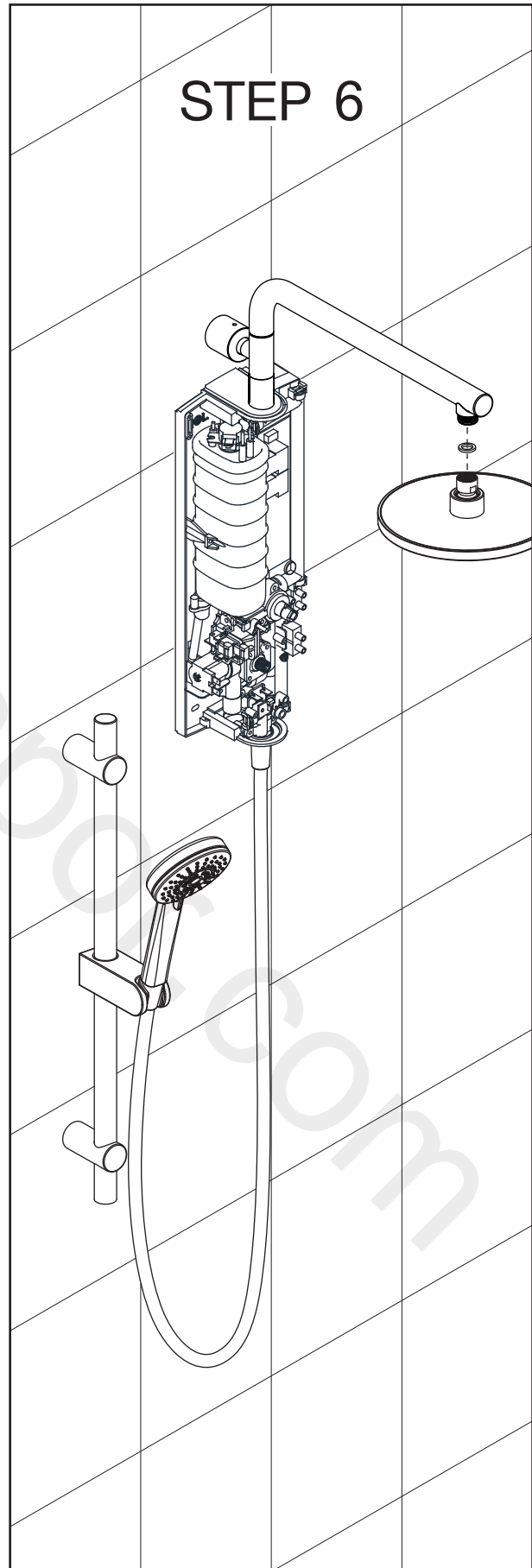
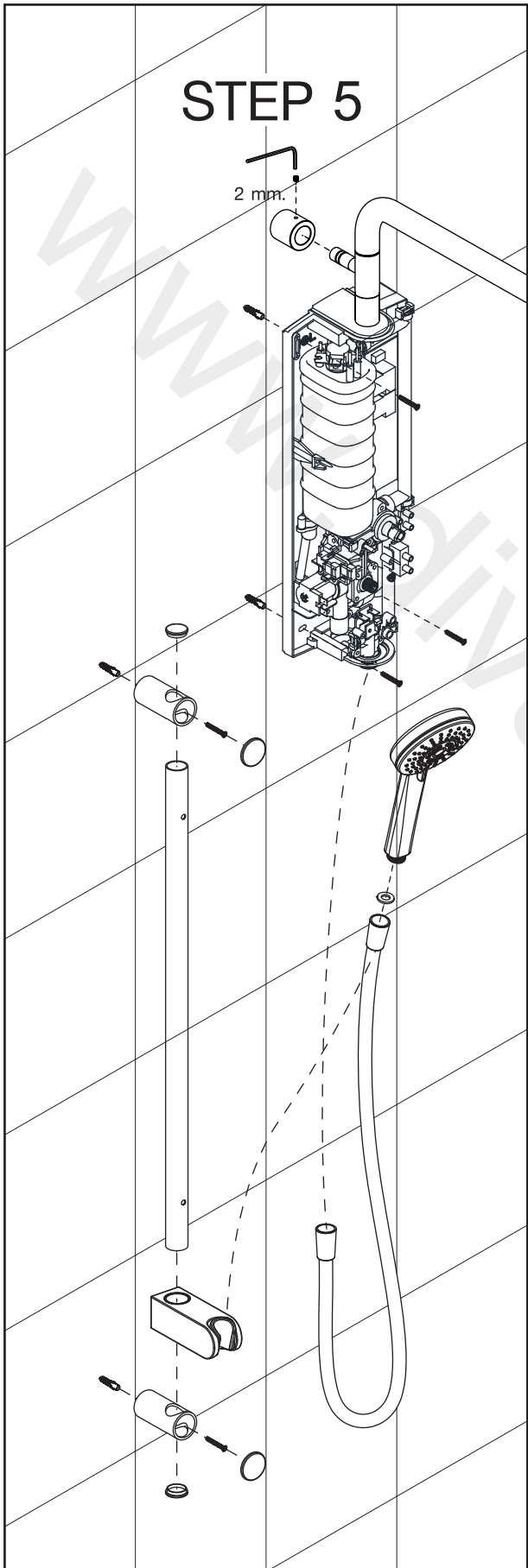
# ASSEMBLY OF UPPER SHOWERING COMPONENTS

for INDULGE TOUCH INLINE MODELS



# ASSEMBLY OF UPPER SHOWERING COMPONENTS

for INDULGE TOUCH FLEX MODELS



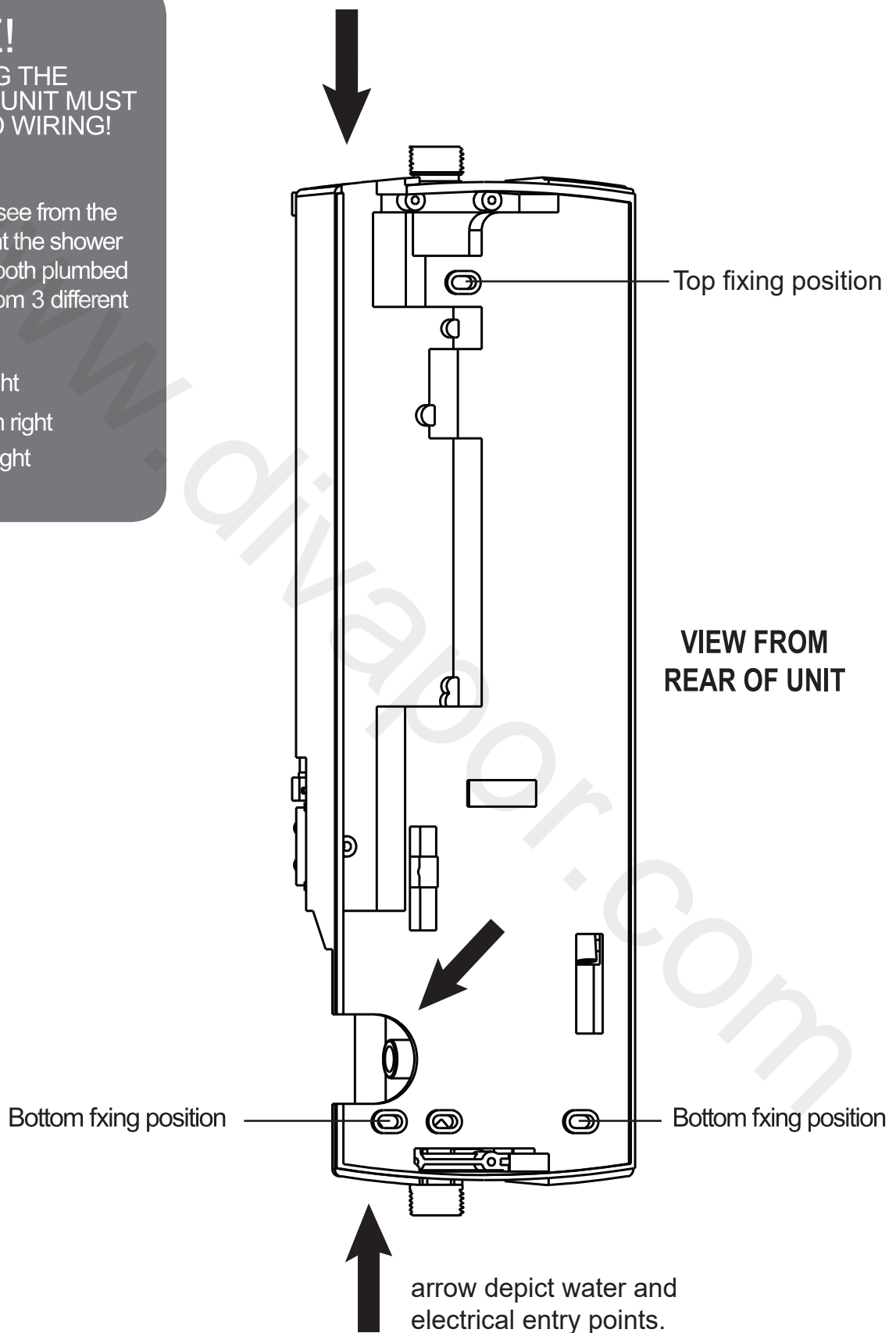
# PLUMBING CONNECTIONS

## NOTE!

PLUMBING THE SHOWER UNIT MUST PROCEED WIRING!

As you can see from the diagram right the shower unit can be both plumbed and wired from 3 different positions;

- Top right
- Bottom right
- Rear right



## PLUMBING CONNECTIONS

---

Turn off the water supply at the isolating stop tap. Having determined the direction of the inlet water supply: Top(falling), Bottom(rising) or Back inlet. It necessary to remove the appropriate plastic cross section from the back plate, before commencing rith the installation.

We have incorporate into the bottom right & top right hand side of the back plate, easy removable trim section to allow easy access when connecting the water supply.

Connect the mains water supply to the inlet of the shower unit using a 15mm. copper, stainless or plastic pipe with 15mm. compression elbow or 15mm push-ft elbow.

Do not use excessive force when making the connection to the unit.

### DEFAULT PLUMBING SETTING

The shower unit is supplied for right hand installion only.

When leak testing the installation you must ensure there are no leaks from this area.

### ⚠ IMPORTANT ⚠

To comply with water regulations, building regulations or any specific local water company regulations and should be in accordance with BS EN 806. A double check valve must be fitted with all flexible shower accessories where it is possible that the showerhead may come into contact with used water i.e. In the bath or shower tray.

### ⚠ IMPORTANT ⚠

Before turning on the water supply to the shower unit the water supply pipe should be flushed out to remove debris. After flushing the pipework ensure that the shower unit is positioned squarely on the wall and tighten the screws. Tighten all plumbing connections and check the pipework for leaks.

# ELECTRICAL CONNECTIONS

## ELECTRICAL SPECIFICATIONS

Nominal Power rating at 240V 9.5kW - (40A MCB rating)	Nominal Power rating at 230V 8.7kW - (40A MCB rating)
--	--

The shower unit must be permanently connected to the electricity supply, direct from the consumer unit via a double pole linked switch with a minimum contact gap of 3mm. The switch must be readily accessible and clearly identifiable and out of reach of a person using a fixed bath or shower tray, unless the switch is cord operated. The wiring must be connected to the switch without the use of a plug or socket outlet.

The cable size required is determined by the kW rating of the shower and the distance between the shower and the consumer unit. The table below will help you choose the correct cable for your installation, but it will depend upon the precise circumstances of the installation. If you are in any doubt consult an electrician.

The incoming cable should be hidden.

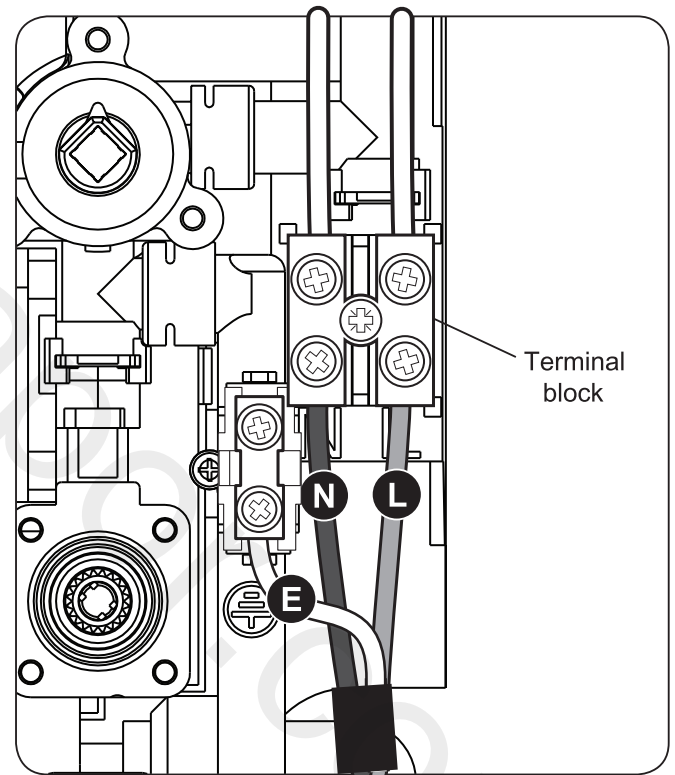
KW RATING	NOMINAL AT 240V	MIN RATING OF ISOLATING SWITCH	FUSE RATING	MAX CABLE RUN	
				6mm	10mm
9.5	39.58amps	40amps	40amps	21m	32m

The diagram below shows the route of the cable into the shower unit for connection to the terminal blocks, connect as follows:

Earth cable to terminal marked 

Neutral cable to terminal marked N

Live cable to terminal marked L



### IMPORTANT

Ensure that the terminal block screws are fully tightened and that no cable insulation is trapped under screws. Ensure the cable clamp is used to secure the cable. The earth continuity conductor of the electrical installation must be effectively connected to all exposed metal parts of other appliances and services in the room in which the shower unit is installed to confirm

# ELECTRICAL WIRING DIAGRAM

The diagram right shows a schematic wiring diagram.

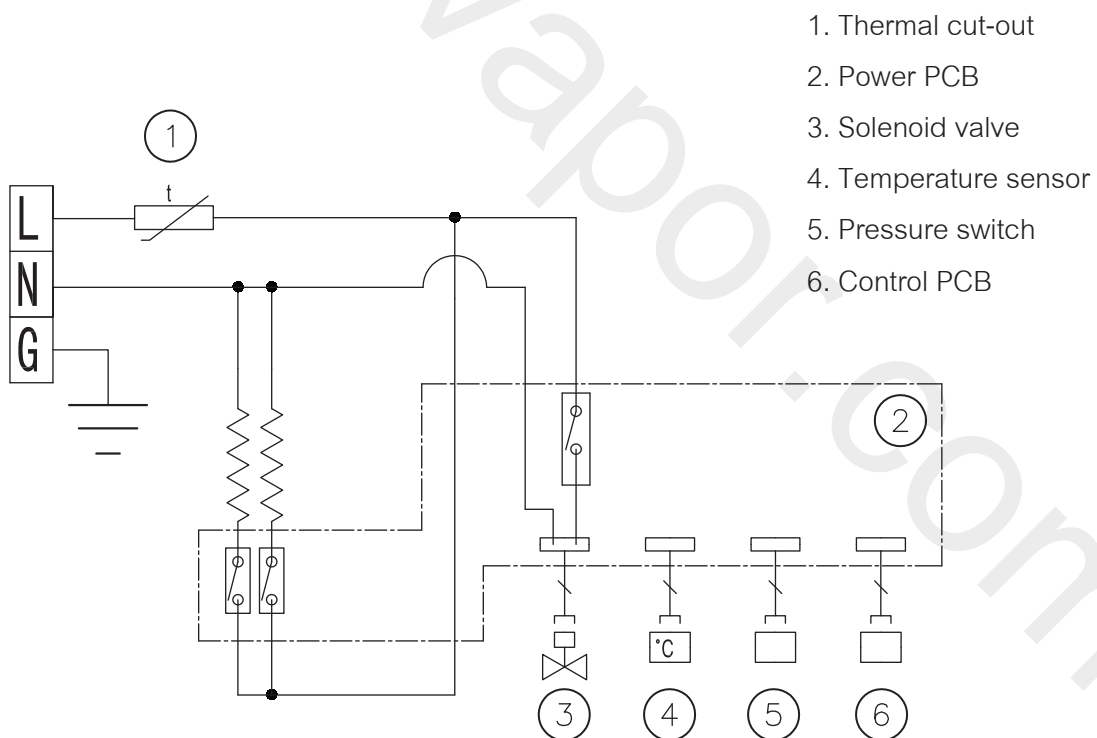
**IMPORTANT:** When connecting the cable fully tighten the terminal block screws and make sure that no cable insulation is trapped under the screws. Loose connections can result in cable overheating.

**NOTE:** The supply cable earth conductor must be sleeved. The outer sheath of the supply cable must be stripped back to the minimum.

The use of connections within the unit or other points in the shower circuit to supply power to other equipment i.e. extractor fans, pumps etc. will invalidate the guarantee.

**DO NOT** switch on the electricity supply until the shower cover has been fitted.

**NOTE:** The elements on UK models are to 240V specification and will give a lower kW rating if the voltage supply is below 240V.

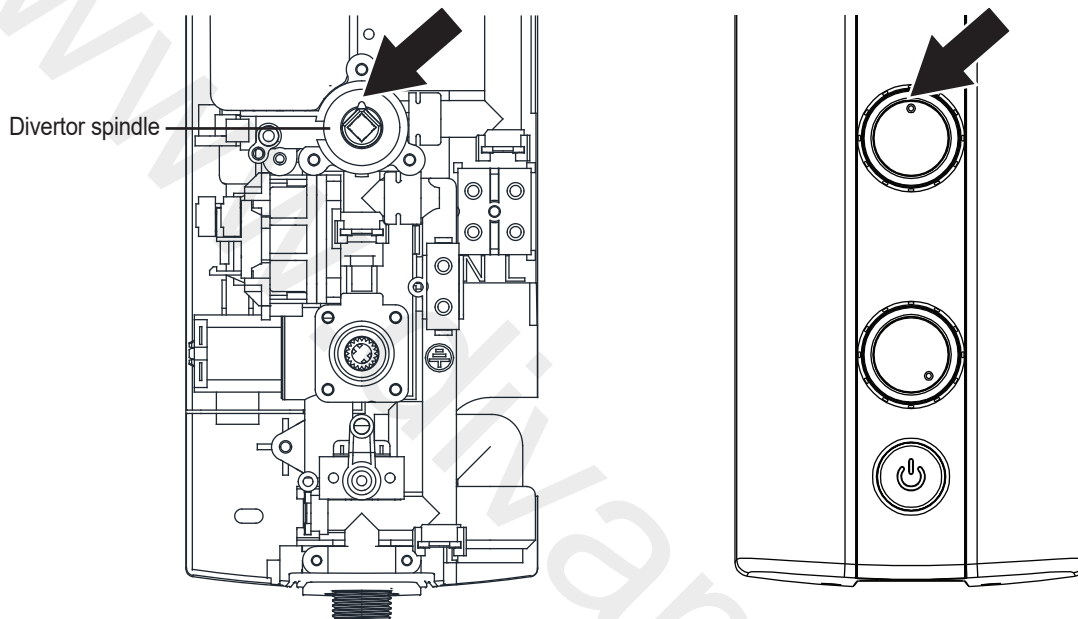


# FITTING THE BACK COVER INTO POSITION

When fitting the cover, it is important to align the diverter spindle and volume control spindle inside the heater.

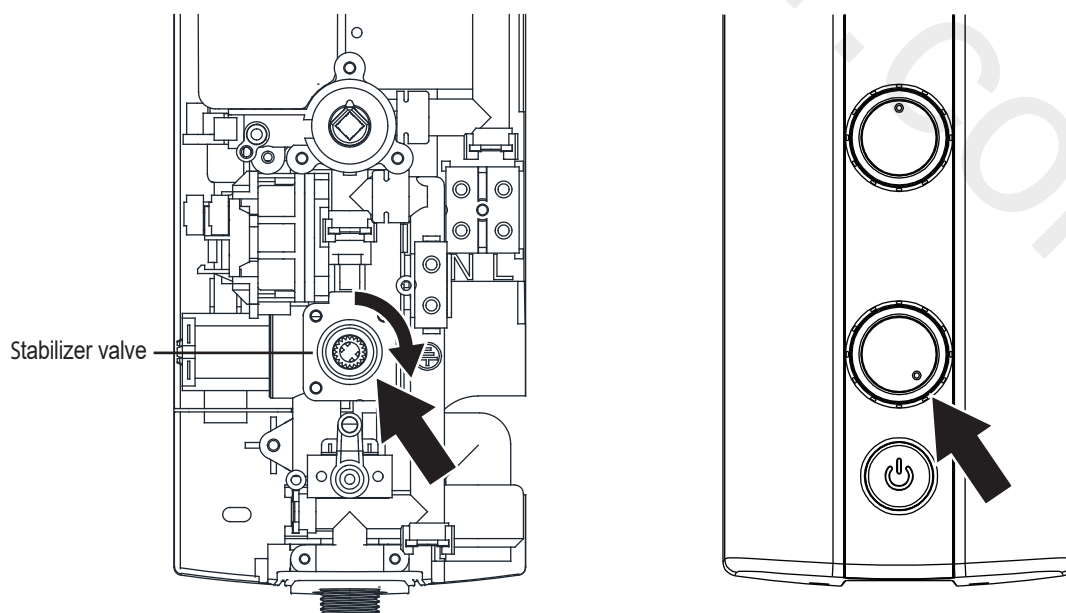
## DIVERTOR HANDLE ( UPPER HANDLE )

Make sure that the Divertor spindle and the raised button on the diverter handle are in the 12 O'clock position before fitting the cover.



## VOLUME CONTROL HANDLE ( LOWER HANDLE )

Turn the stabilizer valve spindle and volume handle fully clockwise until resistance is felt.



NOTE: Refit digital supply cable and fit cover. refit 2 cover fixing screws.



# COMMISSIONING THE SHOWER

---

1. Make sure that the electrical supply has been isolated at the double pole isolating switch.
2. Turn the diverter handle to the left position (Button at 9 O'clock for hand-shower function)  
(Button at 3 O'Clock for Overhead position).
3. Turn the volume handle fully anticlockwise to the maximum volume position.
4. Ensure that the water supply is fully on at the mains stop cock and isolating service valve.
5. Switch on the electrical supply at the double pole switch.  
The Aquas digital heater has 3 settings and automatically defaults to the COLD ONLY setting.
6. Press the On / Off Button. This action will activate the internal solenoid valve and start the water flowing at maximum volume.
7. Press the Middle Digital button with the MINUS Symbol ...Once Lit , .this will activate the heater to deliver warm water up to a max heating capacity of 5.0 KW power (Summer Setting)
8. Press the Higher Digital button with 2 MINUS Symbols ...Once Lit , .this will activate the heater to deliver maximum hot water with a maximum heating capacity of 9.5 KW power (Winter Setting)
9. Rotate the volume handle at setting step. NOTE ...as you lower the flow rate , the warmer the outlet temperature of the water will become.
10. Push the On / Off button to stop the water flow from the heater ...  
The Aquas heater is preset to a COLD START MODE....see below important note.

## IMPORTANT NOTE

If the outlet temperature is lower than 55 degree: after turning off the shower heater, water will still flow out for 6 seconds to reduce residual heat in the water tank, designed as a safety feature to protect the next user.

11. Switch off pull cord or wall mounted switch.
12. Remove the hand-shower and overhead to make sure they are not blocked with debris from the water. If necessary clean and refit.
13. Remove the filter and clean out any debris from the residual pipework.  
Clean and refit - For the Filter Removal see section on maintenance.

### IMPORTANT

Turn the Temperature control knob anticlockwise until the valve is fully open before switching on the unit.  
This will ensure a fast fill up of the unit when the shower is first switched on.

### IMPORTANT

The shower unit must be full of water before heat settings are used.

# OPERATING THE SHOWER

1. Switch on electrical supply - pull cord or wall mounted switch

The COLD WATER only feature button will light up.

2. Press the ON / Off Button to start the flow of water.

3. Select your shower mode setting -

your Aquas Heater comes with 3 settings.

- a) COLD WATER ONLY

- b) ECO HEAT setting.

( 50% - summer setting )

wait for 3 to 5 seconds for  
the warm water to arrive.

- c) MAX HEAT setting

( 100% Winter Setting )

wait for 3 to 5 seconds or  
the hot water to arrive.

4. Turn the divertor handle

to select the showering

function you require

Left for Hand-shower –

Right for Overhead.

5. When turning the Volume

Control Handle, this will change

slightly the output temperature of the water.

MAXIMUM HEAT SETTING (WINTER)

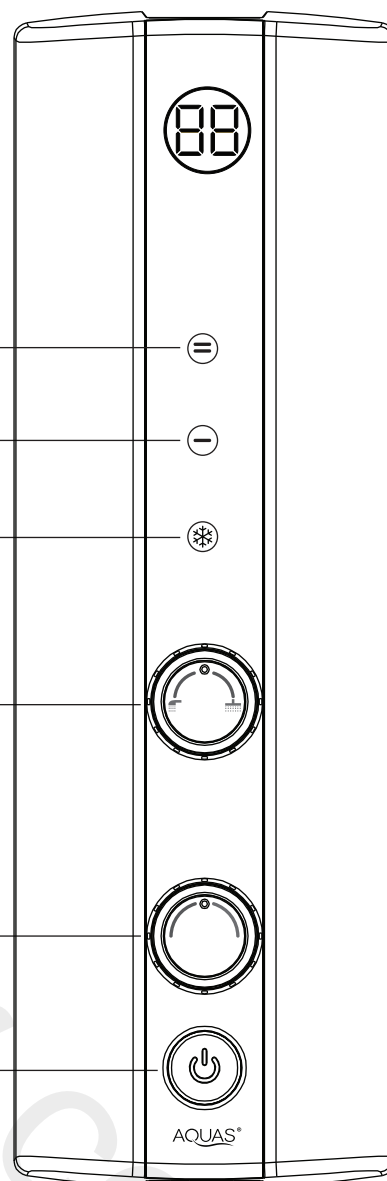
ECO HEAT SETTING (SUMMER)

COLD WATER ONLY SETTING

DIVERTOR HANDLE  
HAND-SHOWER  
OR OVERHEAD FUNCTION

VOLUME CONTROL HANDLE

ON / OFF BUTTON



## IMPORTANT NOTE

The Higher the flow the temperature will decrease.

The Lower the flow the temperature will increase.

6. To turn off the shower unit , press the ON / OFF button.

7. Your Aquas shower is fitted with an automatic Phased shutdown which flushes any remaining hot water out of the unit for safe continued operation.

Therefore Hot water will continue to flow for a few seconds when turned off.

If the temperature of the water is above 55 degrees , the unit will continue to flow for 12 seconds.

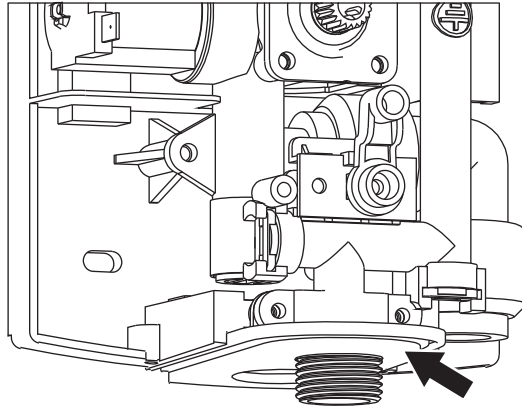
If the temperature of the water is lower than 55 degrees , the unit will continue to flow for 6 seconds.

# MAINTENANCE – CLEANING THE FILTER

---

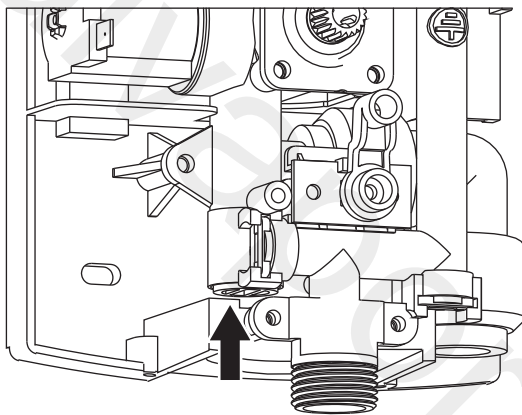
## STEP 1

Remove front cover assembly, loosen these two screws, the decor cover can be removed.



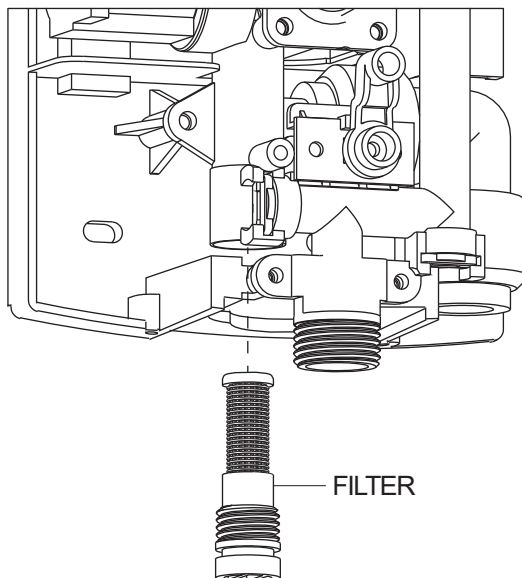
## STEP 2

Use flat-head screw driver to remove filter, clean it, and refit.



## STEP 3

Clean the filter and refit.



# SHOWERHEAD CLEANING INSTRUCTIONS

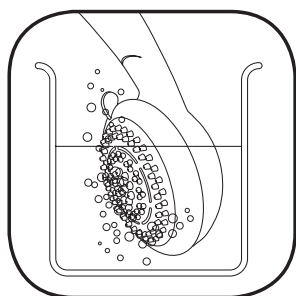
---

The showerhead should be cleaned periodically to remove limescale or debris which will reduce the performance of the shower. The frequency of cleaning will vary according to local water quality.

## PERIODICAL MAINTENANCE



1. To break away scale deposits on a daily basis simply rub your thumb over the surface whilst the shower is running.



2. If scale deposits are stubborn, Soak the shower-head or hand-shower in a proprietary Limescale remover and rinse thoroughly before use.

Your AQUAS Branded heaters are supplied by Aquabella Shower Co.,Ltd. in Thailand.  
For information or service assistance , please contact the installer or the local  
UK distributor from where the heater was purchased.