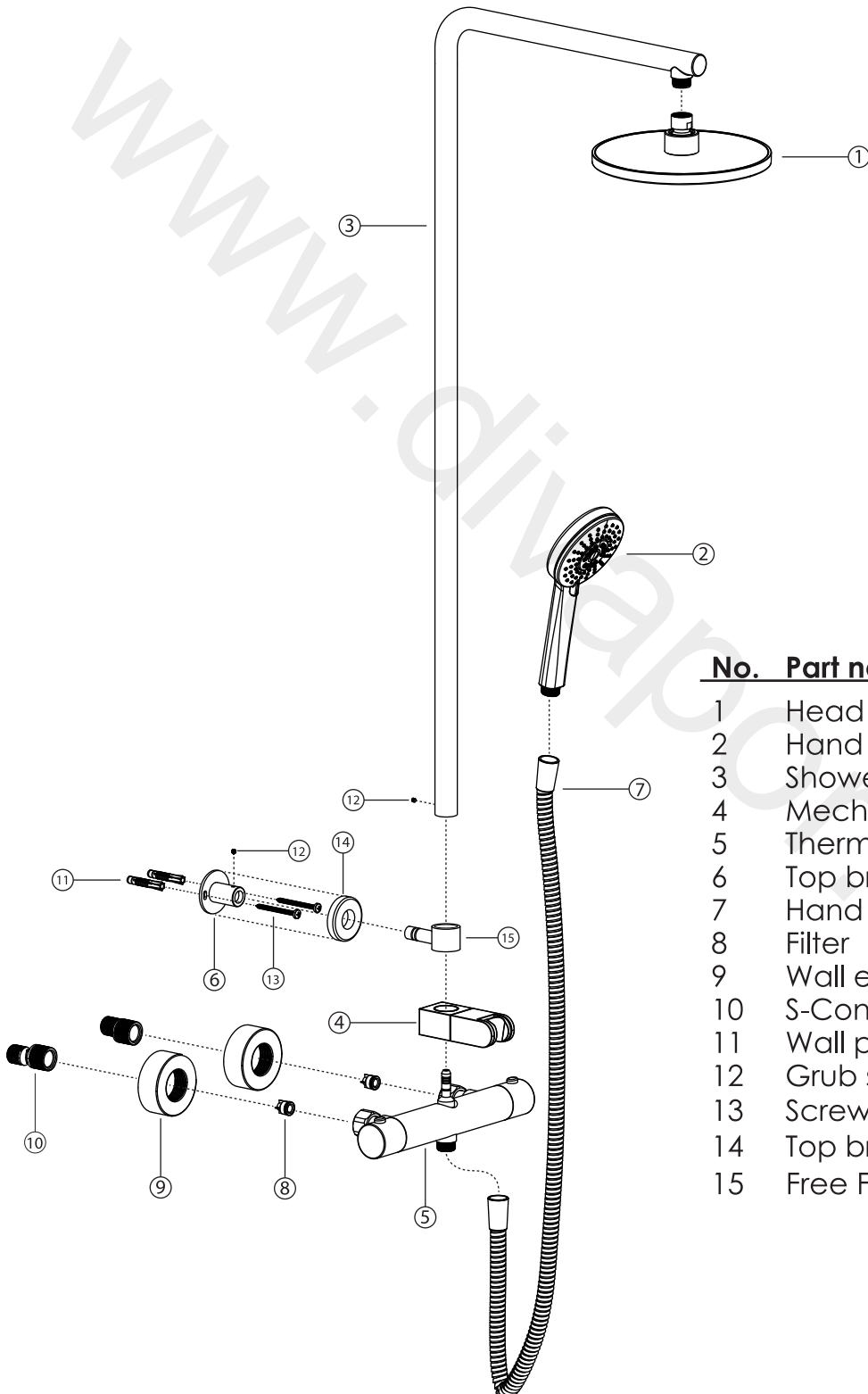


INSTRUCTION GUIDE

ROUND THERMOSTAT AND S/L FAUCET FREE FIXATION SHOWER UNIT

IMPORTANT : FLUSH THROUGH ALL SUPPLY PIPEWORK BEFORE CONNECTING THE FAUCET TO THE WALL AS THIS COULD DAMAGE OR BLOCK THE CARTRIDGE / DIVERTOR MECHANISMS.

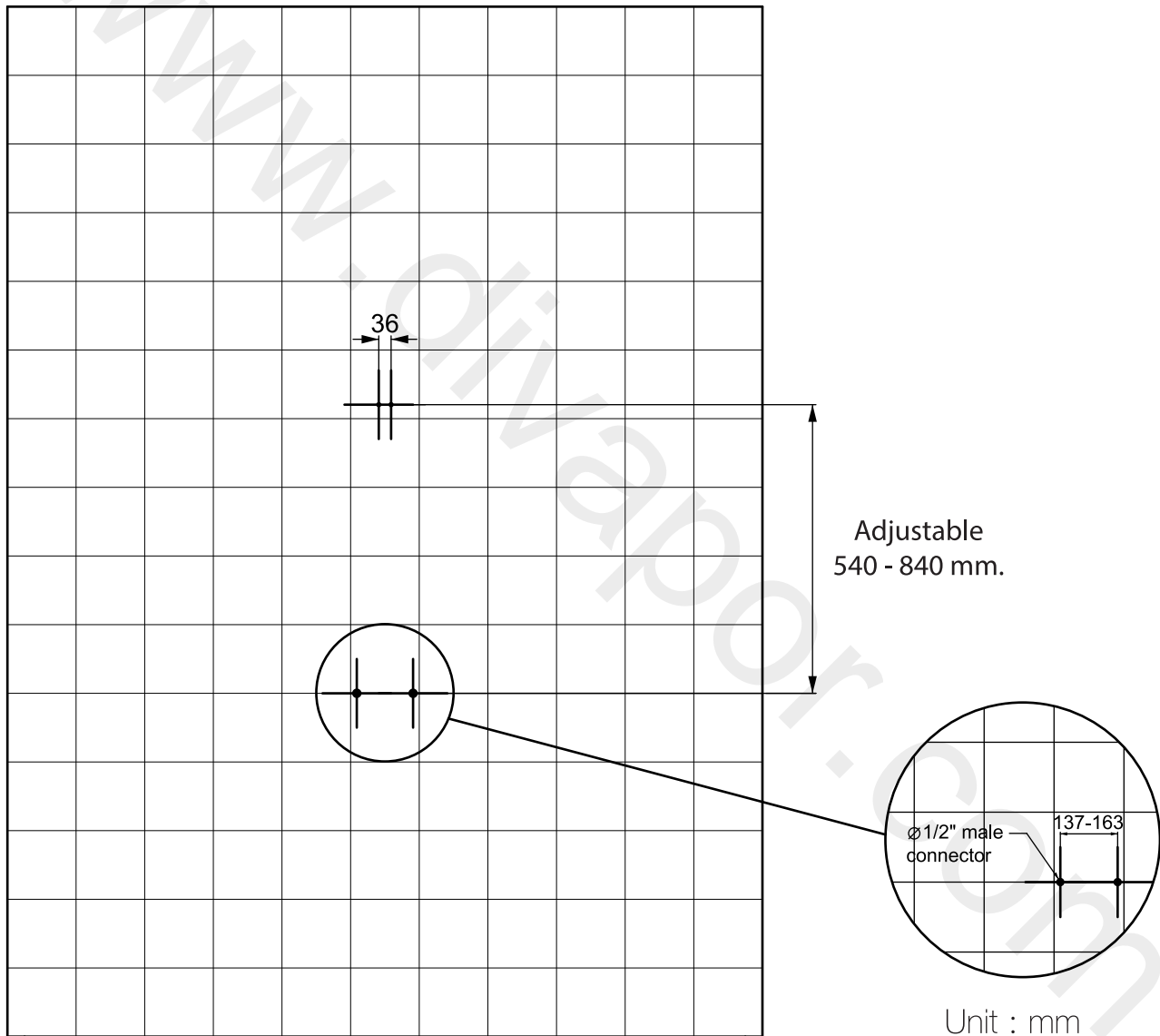


No.	Part name	Q.ty
1	Head shower	1
2	Hand shower	1
3	Shower system tube	1
4	Mechanism slider	1
5	Thermostatic or S/L faucet	1
6	Top bracket	1
7	Hand shower hose	1
8	Filter	1
9	Wall escutcheon	2
10	S-Connector	2
11	Wall plugs	2
12	Grub screw	2
13	Screws	2
14	Top bracket escutcheon	1
15	Free Fixation Bracket	1

INSTRUCTION GUIDE

ROUND THERMOSTAT AND S/L FAUCET FREE FIXATION SHOWER UNIT

RECOMMENDED INSTALLATION POSITION

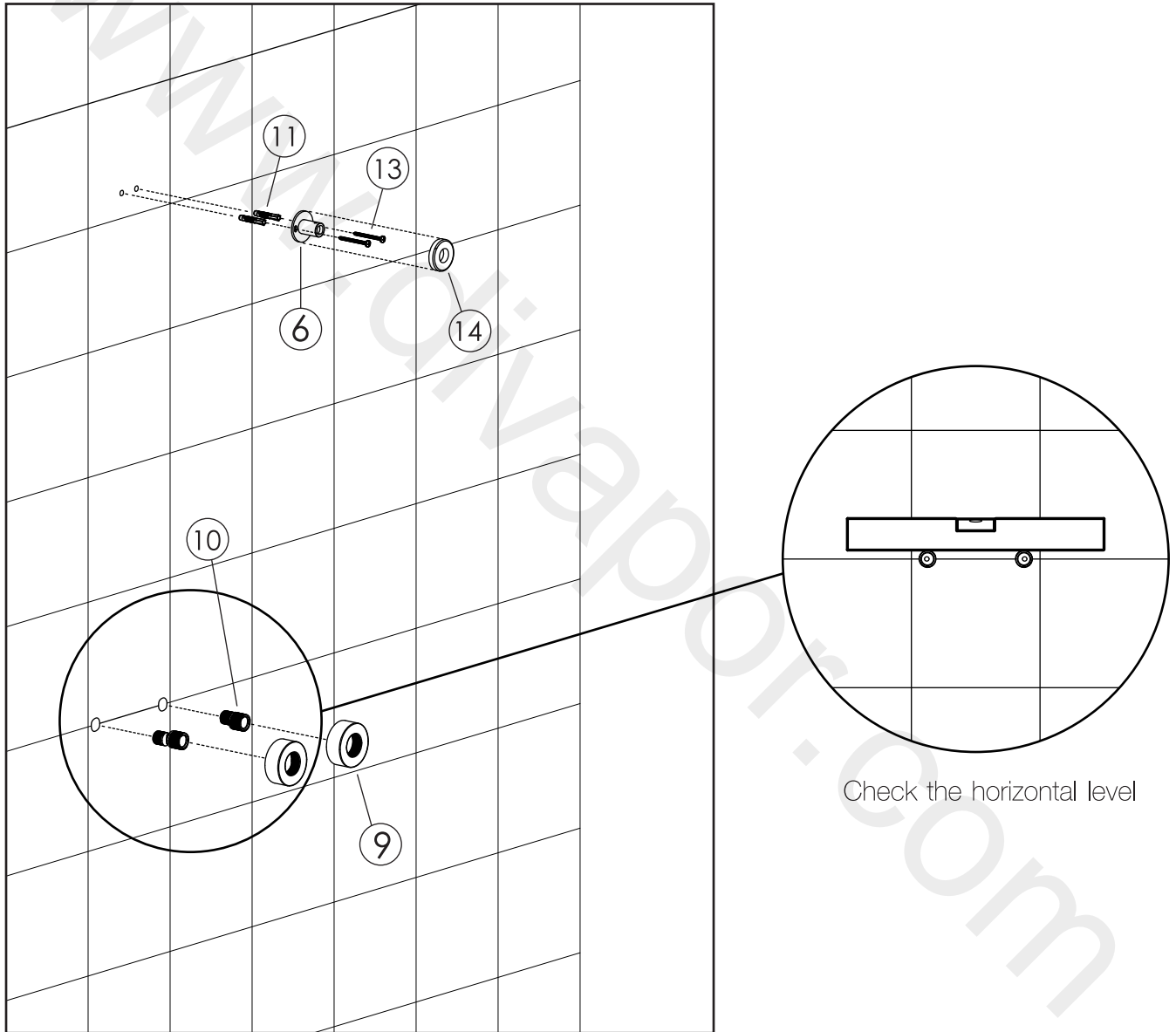


INSTRUCTION GUIDE

ROUND THERMOSTAT AND S/L FAUCET FREE FIXATION SHOWER UNIT

STEP 1

Install S-Connectors(10) and Wall escutcheons(9) and Top Bracket(6) to Wall.

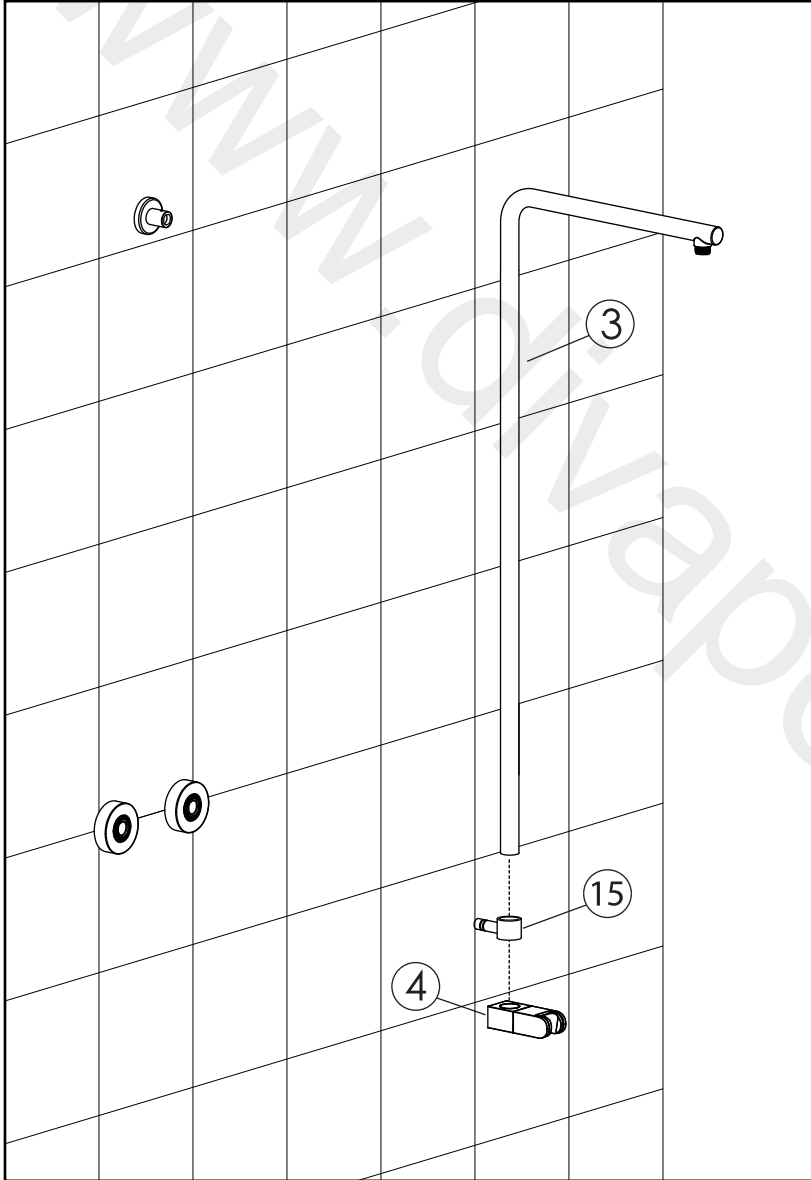


INSTRUCTION GUIDE

ROUND THERMOSTAT AND S/L FAUCET FREE FIXATION SHOWER UNIT

STEP 2

Assemble Free Fixation Bracket(15) and Mechanism slider(4) to Shower tube(3)

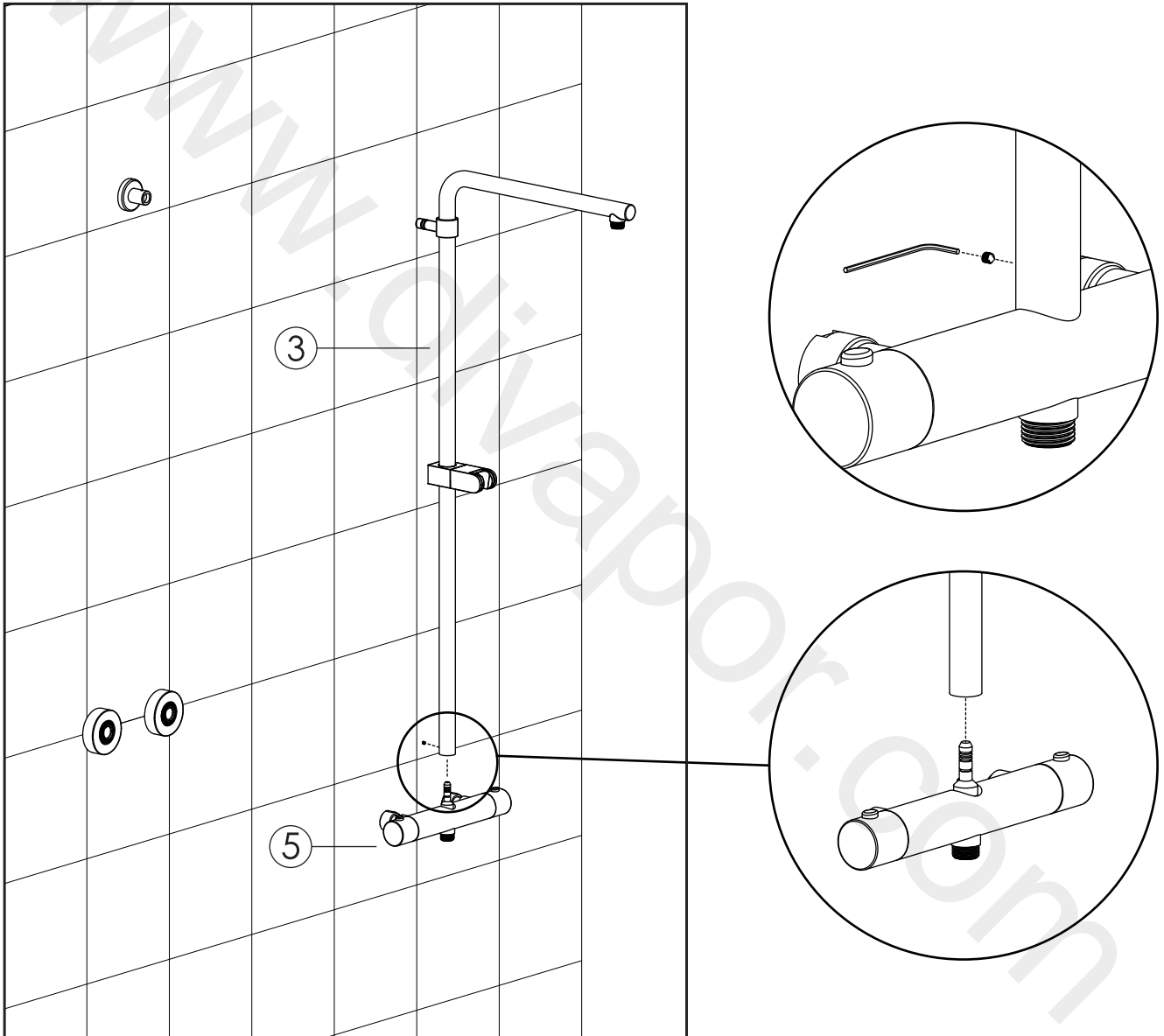


INSTRUCTION GUIDE

ROUND THERMOSTAT AND S/L FAUCET FREE FIXATION SHOWER UNIT

STEP 3

Assemble faucet(5) to Shower system tube(3)

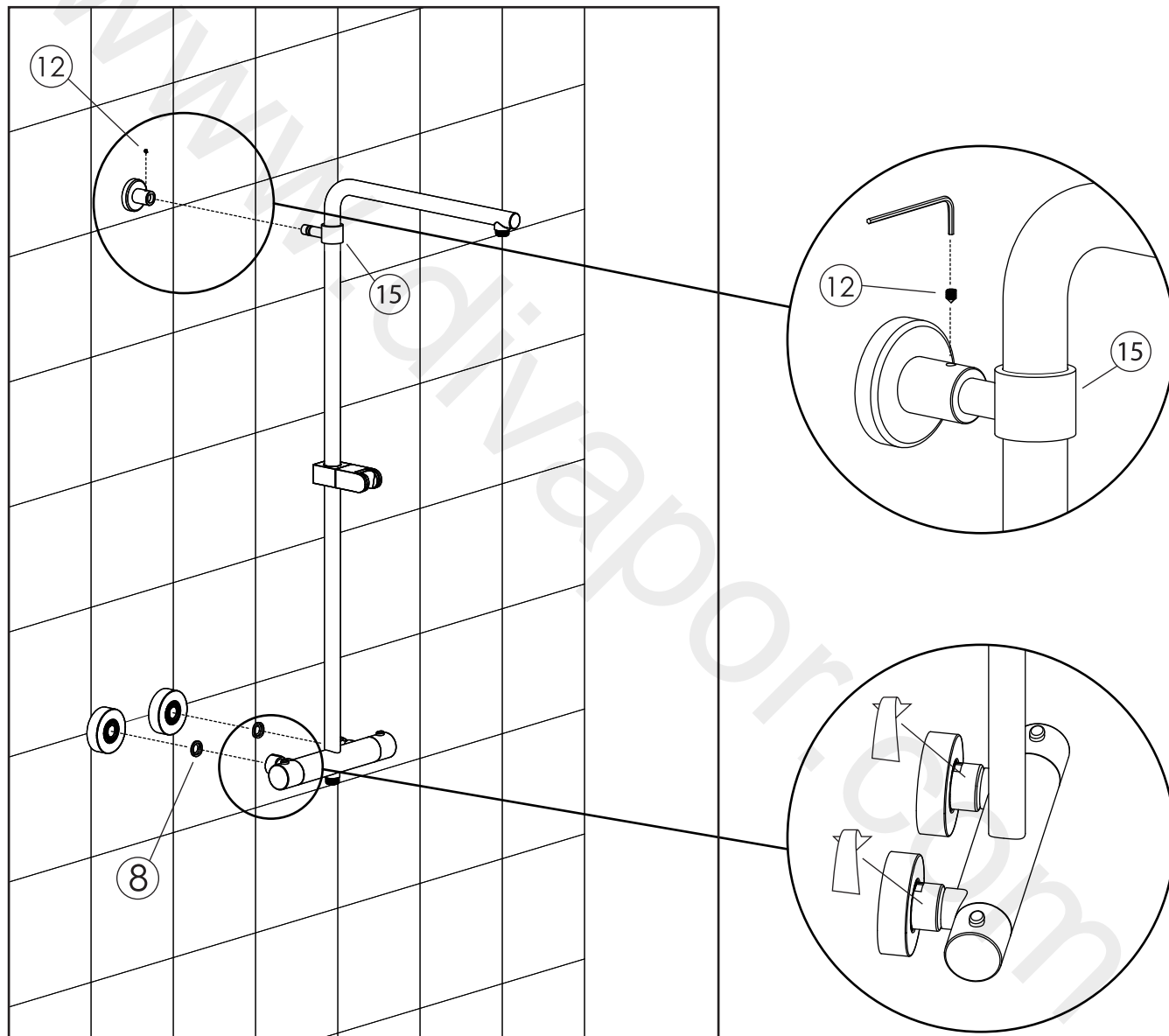


INSTRUCTION GUIDE

ROUND THERMOSTAT AND S/L FAUCET FREE FIXATION SHOWER UNIT

STEP 4

Install faucet and Shower system tube to Wall connections.

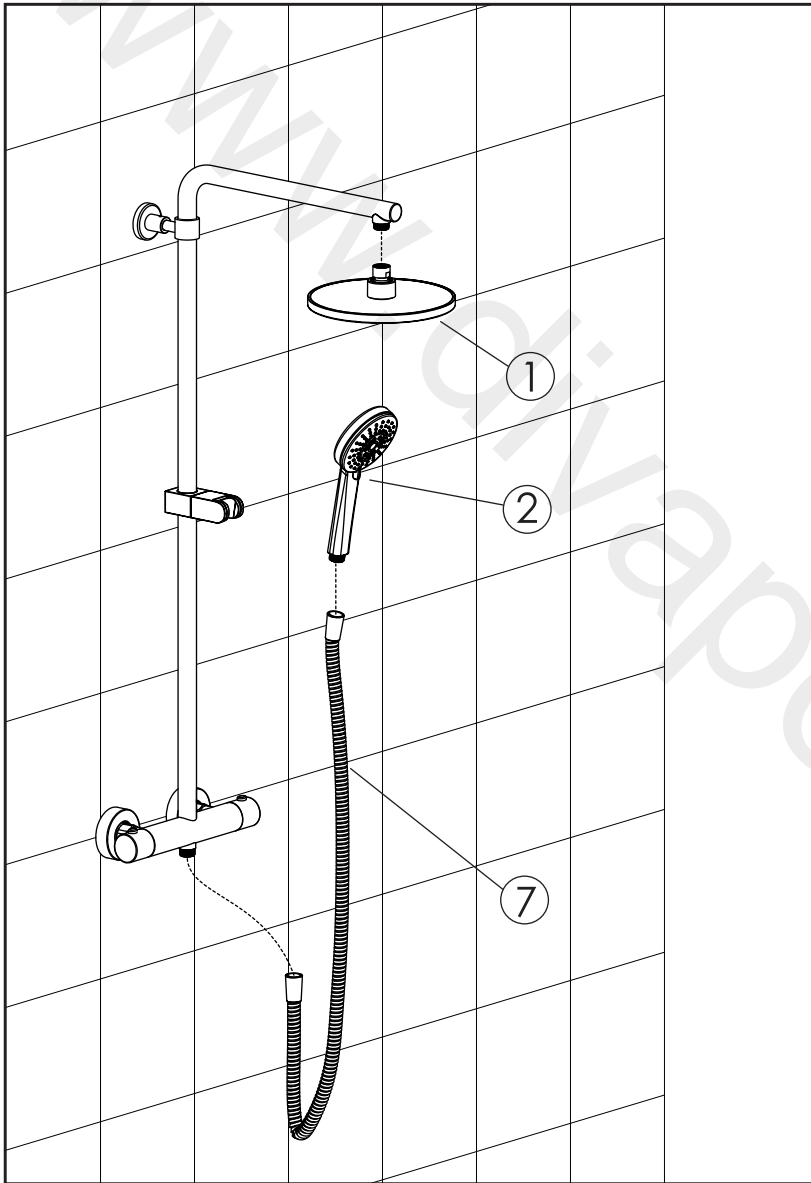


INSTRUCTION GUIDE

ROUND THERMOSTAT AND S/L FAUCET FREE FIXATION SHOWER UNIT

STEP 5

Assemble Hose(7), Hand shower(2) and Head shower(1)



INSTRUCTION GUIDE

ROUND THERMOSTAT AND S/L FAUCET FREE FIXATION SHOWER UNIT

STEP 6

Usability testing

