



Alia bath filler mixer tap

nabis

Product code – A05402

Beautifully modern with its high gloss glaze to provide your bathroom with a bright clean white finish. The Alia range helps shape even the smallest spaces.



Features:

- 1/4 turn 3/4" head valve
- Chrome finish
- Brass tap body
- Zinc handle
- Minimum working pressure: 0.3 bar
- Operation pressure range: 0.3 bar – 5 bar
- Suitable for both low & high pressure systems

Flow rates			
Pressure (Bar)	Hot water only (L/m)	Cold water only (L/m)	Mix (L/m)
0.1	4.30	4.20	5.80
0.2	7.50	7.40	8.90
0.3	10.00	10.10	11.60
0.4	12.40	12.50	13.60
0.5	14.60	14.70	15.80
1	22.50	22.60	23.70
2	26.30	26.20	27.60
3	32.50	32.50	32.50

Product dimension and weight	
Product dimension (mm)	231 x 147 x 132
Net weight (kg)	1.300
Gross weight (kg)	1.600



Plumbing

Heating

Cooling

Drainage

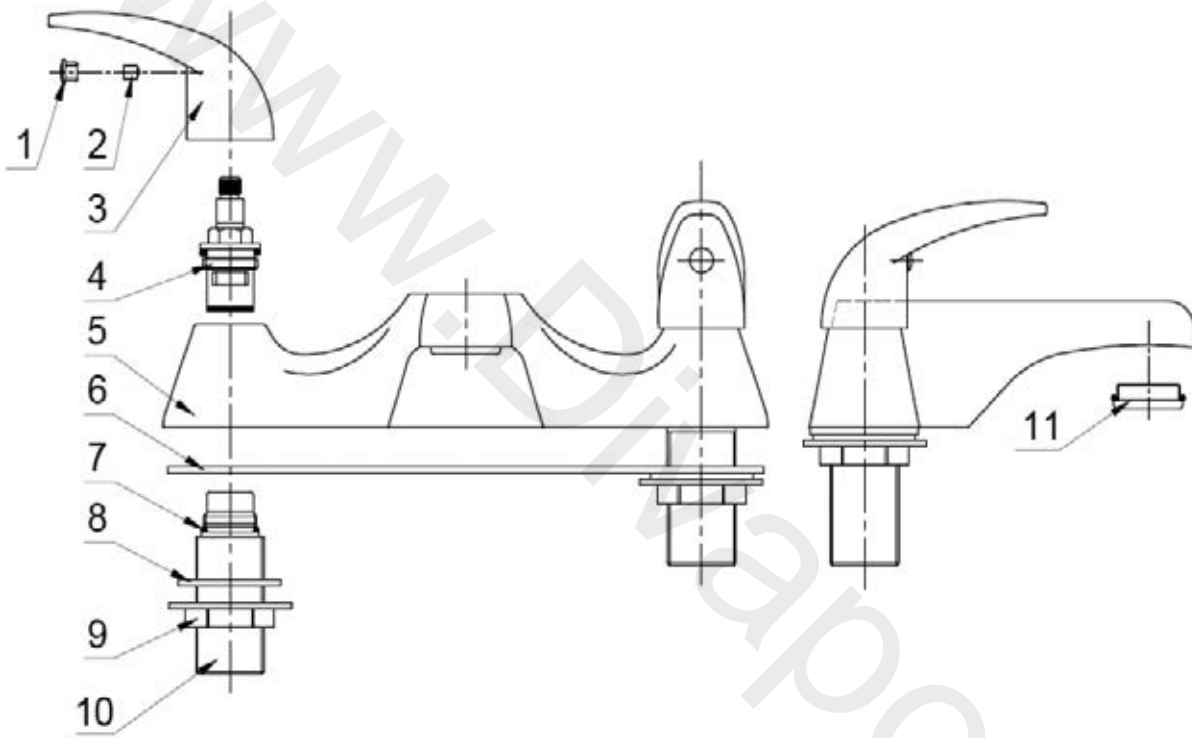
Pipe

Parts

WOLSELEY



The Specialist Merchant



Details

Item	Description	Qty	Material	Spec
1	Indice	2	Plastic	-
2	Screw	2	Stainless Steel 304	M5X6
3	Handle	2	Zinc	-
4	Head Valve	2	Assembly	G3/4"
5	Body	1	Hpb59-1	-
6	Washer	1	Foam	-
7	'O' Ring	2	Rubber	Ø18XØ2.5
8	'O' Ring	2	Rubber	G3/4"
9	Back Nut	2	Brass	G3/4"
10	Inlet	2	Hpb59-1	G3/4"
11	Aerator	1	Assembly	M24X1

wolseley.co.uk

The information contained on this page was correct at date of issue. Fitting dimensions are provided as a guide only. Some variation may occur due to manufacturing tolerances. We pursue a policy of continuing improvement in design and performance of products and so reserve the right to change specifications without prior notice.

Version number 1.0



Plumbing Heating Cooling Drainage Pipe Parts

wolseley.co.uk