



Alia bath pillar taps

nabis

Product code – A05405

Beautifully modern with its high gloss glaze to provide your bathroom with a bright clean white finish. The Alia range helps shape even the smallest spaces.



Features:

- 1/4 turn 1/2" head valve
- Chrome finish
- Brass tap body
- Zinc handle
- Minimum working pressure: 0.3 bar
- Operation pressure range: 0.3 bar – 5 bar
- Suitable for both low & high pressure systems

Flow rates		
Pressure (Bar)	Hot water only (L/m)	Cold water only (L/m)
0.1	4.00	4.00
0.2	5.60	5.60
0.3	6.20	6.20
0.4	7.80	7.80
0.5	9.70	9.70
1	13.80	13.80
2	20.80	20.80
3	26.30	26.30
4	30.20	30.20
5	32.50	32.50

Product dimension and weight	
Product dimension (mm)	117.5 x 47 x 130.2
Net weight (kg)	0.880
Gross weight (kg)	1.000



Plumbing

Heating

Cooling

Drainage

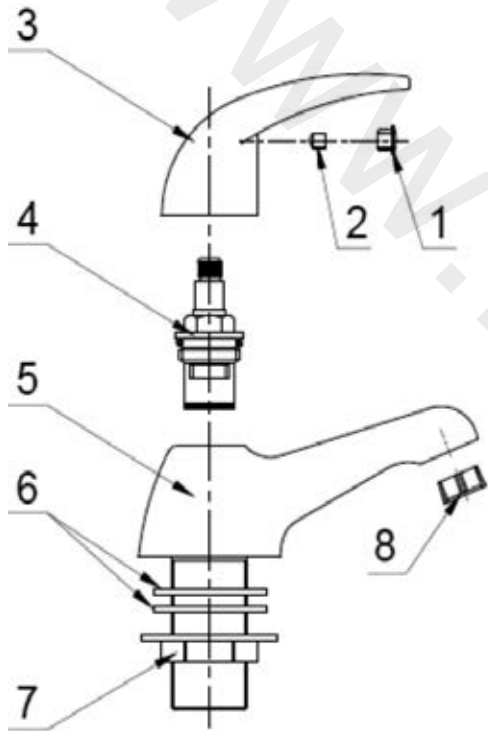
Pipe

Parts

WOLSELEY



The Specialist Merchant



Details

Item	Description	Qty	Material	Spec
1	Indice	1	Plastic	-
2	Screw	1	Stainless Steel	M5X6
3	Handle	1	Zinc	-
4	Head Valve	1	Assembly	G1/2"
5	Body	1	Hpb59-1	-
6	'O' Ring	2	Rubber	G3/4"
7	Back Nut	1	Brass	G3/4"
8	Aerator	1	POM	-

wolseley.co.uk

The information contained on this page was correct at date of issue. Fitting dimensions are provided as a guide only. Some variation may occur due to manufacturing tolerances. We pursue a policy of continuing improvement in design and performance of products and so reserve the right to change specifications without prior notice.

Version number 1.0



wolseley.co.uk