



## Circo basin pillar taps

nabis

Product code – A05410

A contemporary, minimalist single lever range. The Circo range is the perfect example of stylish simplicity.



### Features:

- 1/4 turn 1/2" head valve monobloc basin mixer
- Chrome finish
- Brass tap body
- Zinc handle
- Minimum working pressure: 0.3 bar
- Operation pressure range: 0.3 bar – 5 bar
- Suitable for both low & high pressure systems

Flow rates		
Pressure (Bar)	Hot water only (L/m)	Cold water only (L/m)
0.1	5.20	5.20
0.2	6.50	6.50
0.3	8.00	8.00
0.4	9.10	9.10
0.5	10.00	10.00
1	14.30	14.30
2	19.40	19.40
3	24.60	24.60
4	28.10	28.10
5	31.50	31.50

Product dimension and weight	
Product dimension (mm)	106.5 x 45 x 144
Net weight (kg)	0.770
Gross weight (kg)	0.900



Plumbing

Heating

Cooling

Drainage

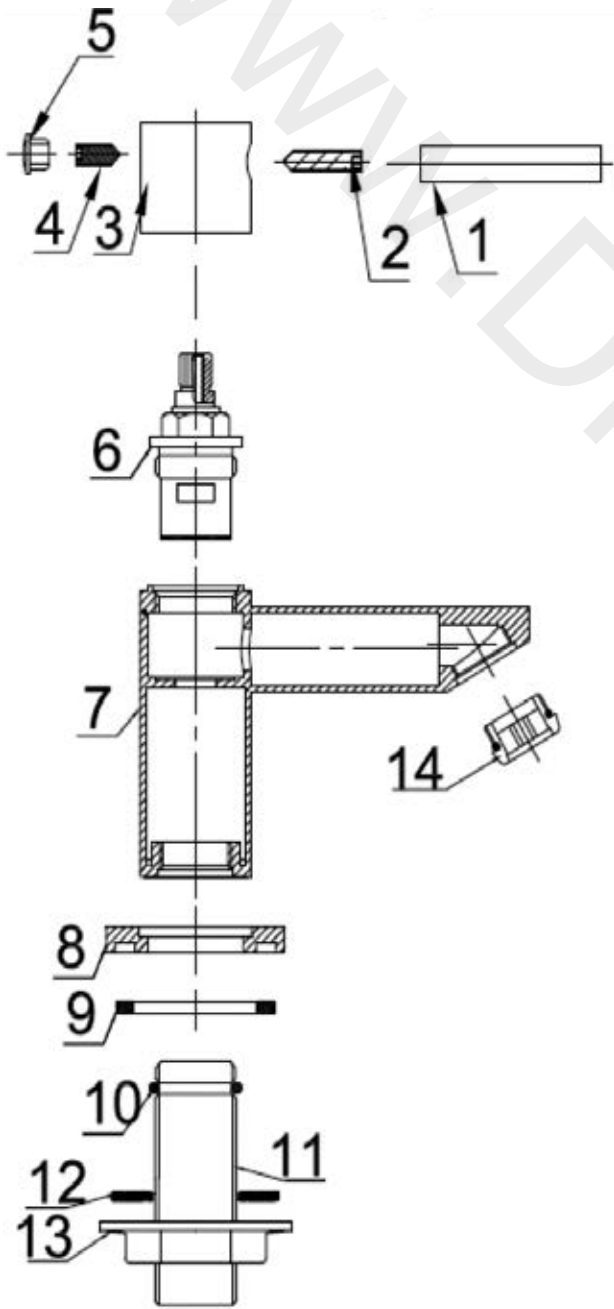
Pipe

Parts

**WOLSELEY**



The Specialist Merchant



## Details

Item	Description	Qty	Material	Spec
1	Handle Level	1	Hpb59-1	-
2	Screw	1	Stainless Steel 304	M5X16
3	Handle	1	Zinc	-
4	Screw	1	Stainless Steel 304	M5X6
5	Indice	1	Plastic	-
6	Head Valve	1	Assembly	G1/2"
7	Body	1	Hpb59-1	-
8	Base Plate	1	Hpb59-1	-
9	Washer	1	Rubber	Ø40X230.5X3
10	'O' Ring	1	Rubber	Ø18X2
11	Inlet	1	Hpb59-1	G1/2"
12	Washer	1	Rubber	Ø39XØ21X1.7
13	Back Nut	1	Hpb59-1	G1/2"
14	Aerator	1	Assmblly	M16X1

wolseley.co.uk

The information contained on this page was correct at date of issue. Fitting dimensions are provided as a guide only. Some variation may occur due to manufacturing tolerances. We pursue a policy of continuing improvement in design and performance of products and so reserve the right to change specifications without prior notice.

Version number 1.0



Plumbing

Heating

Cooling

Drainage

Pipe

Parts

wolseley.co.uk