



Circo bath/shower mixer and kit

nabis

Product code – A05412

A contemporary, minimalist single lever range. The Circo range is the perfect example of stylish simplicity.



Features:

- 1/4 turn 3/4" head valve
- Chrome finish
- Brass tap body
- Zinc handle
- Neopearl aerator
- Minimum working pressure: 0.3 bar
- Operation pressure range: 0.3 bar – 5 bar
- Suitable for both low & high pressure systems

Flow rates				
Pressure (Bar)	Hot water only (L/m)	Cold water only (L/m)	Mix (L/m)	Shower (L/m)
0.1	2.00	2.00	2.20	1.80
0.2	2.80	2.80	3.10	2.80
0.3	3.60	3.60	3.80	3.20
0.4	5.10	5.10	5.90	3.80
0.5	6.60	6.60	7.20	4.50
1	11.80	11.90	12.00	6.90
2	17.50	17.60	19.00	11.00
3	22.20	22.30	24.00	14.50
4	25.50	25.60	27.20	17.20
5	28.20	28.80	30.20	19.50

Product dimension and weight	
Product dimension (mm)	225 x 146 x 180
Net weight (kg)	1.600
Gross weight (kg)	2.300



Plumbing

Heating

Cooling

Drainage

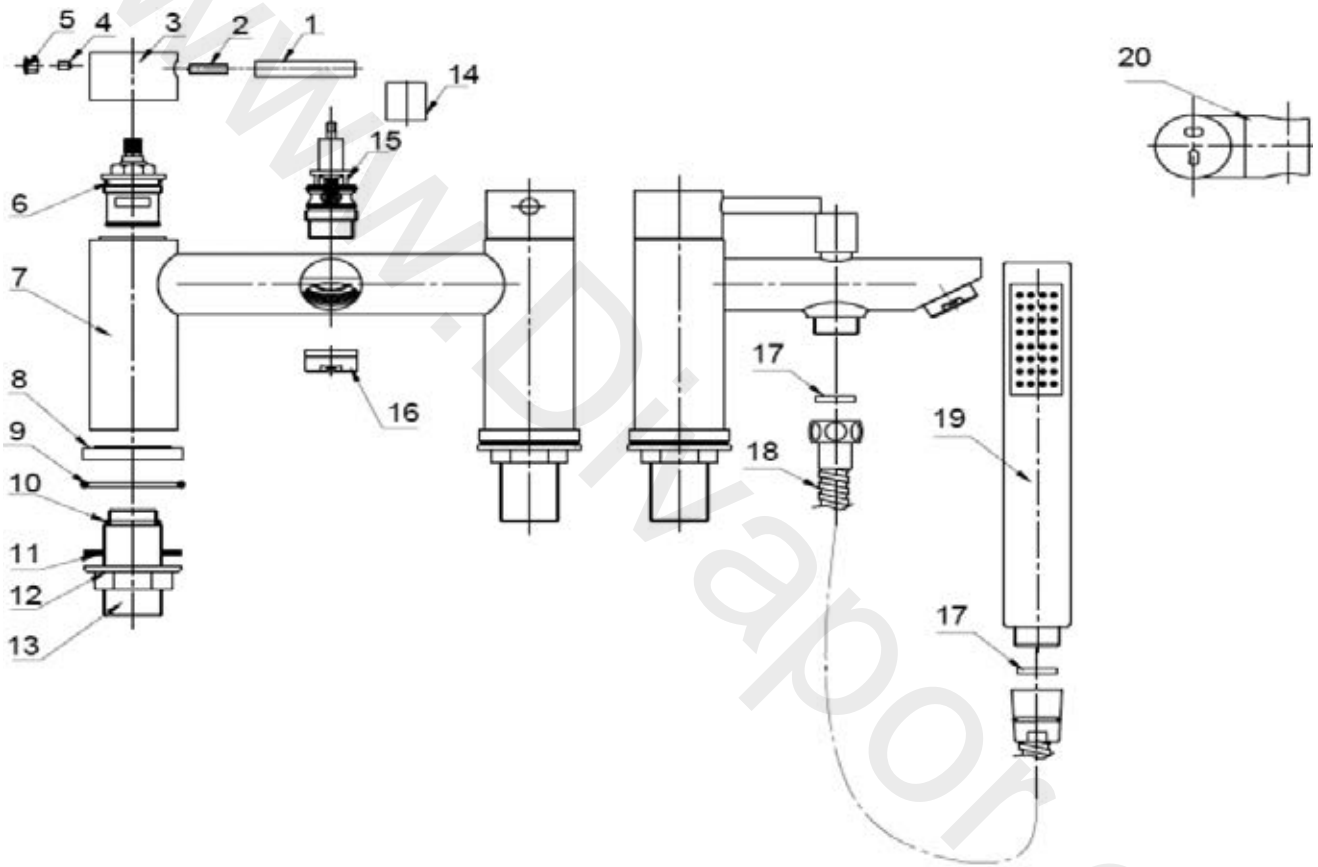
Pipe

Parts

WOLSELEY



The Specialist Merchant



Details

Item	Description	Qty	Material	Spec
1	Handle Level	2	Hpb59-1	-
2	Screw	2	Stainless Steel	M5X20
3	Handle	2	Zinc	-
4	Screw	2	Stainless Steel 304	M5X6
5	Indice	2	Plastic	-
6	Head Valve	2	Assembly	-
7	Body	1	Hpb59-1	-
8	Base Ring	2	Hpb59-1	-
9	'O' Ring	2	Rubber	Ø42XØ3.5
10	'O' Ring	2	Rubber	Ø20X2

Item	Description	Qty	Material	Spec
11	'O' Ring	2	Rubber	-
12	Back Nut	2	Hpb59-1	G3/4"
13	Inlet	2	Hpb59-1	G3/4"
14	Head of Diverter	1	Hpb59-1	-
15	Diverter Cartridge	1	Assembly	-
16	Aerator	1	Assembly	-
17	'O' Ring	2	Rubber	-
18	Shower Hose	1	Assembly	F1/2XF1/2
19	Hand Shower	1	Assembly	-
20	Bracket	1	Plastic	-

wolseley.co.uk

The information contained on this page was correct at date of issue. Fitting dimensions are provided as a guide only. Some variation may occur due to manufacturing tolerances. We pursue a policy of continuing improvement in design and performance of products and so reserve the right to change specifications without prior notice.

Version number 1.0



wolseley.co.uk