



Sweep mini basin mixer tap without waste

nabis

Product code – A05415

The nabis Sweep – a contemporary, curvaceous design statement for any modern bathroom.



Features:

- 35mm cartridge monobloc basin mixer
- Chrome finish
- Brass tap body
- Zinc handle
- Minimum working pressure: 0.3 bar
- Operation pressure range: 0.3 bar – 5 bar
- Suitable for both low & high-pressure systems

Flow rates			
Pressure (Bar)	Hot water only (L/m)	Cold water only (L/m)	Mix (L/m)
0.1	2.80	2.90	3.30
0.2	3.80	4.00	4.40
0.3	4.80	4.90	5.70
0.4	5.60	5.70	6.60
0.5	6.20	6.40	7.50
1	8.50	8.80	10.20
2	11.70	12.00	14.30
3	14.00	14.40	17.20
4	16.20	16.50	19.50
5	18.00	18.30	20.90

Product dimension and weight	
Product dimension (mm)	113.5 x 52 x 125
Net weight (kg)	0.670
Gross weight (kg)	1.100



Plumbing

Heating

Cooling

Drainage

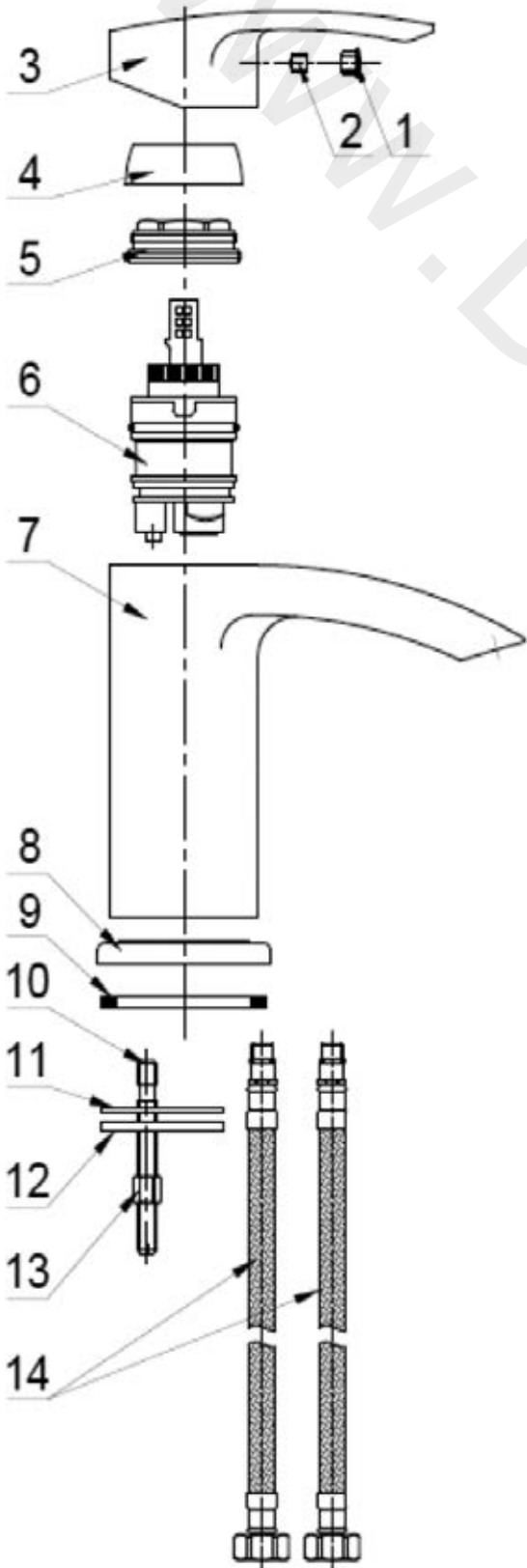
Pipe

Parts

WOLSELEY



The Specialist Merchant



Details

Item	Description	Qty	Material	Spec
1	Indice	1	Plastic	-
2	Screw	1	Stainless Steel	M5X6
3	Handle	1	Zinc	-
4	Cap Nut	1	Plastic	M34X1.25
5	Nut	1	Hpb59-1	M34X1.25
6	Cartridge	1	Plastic	Ø35
7	Body	1	Hpb59-1	-
8	Base Plate	1	Hpb59-1	-
9	'O' Ring	1	Rubber	-
10	Fixing Bar	2	Iron	M6
11	Rubber Washer	1	Rubber	M6
12	Iron Washer	1	Iron	M6
13	Nut	2	Brass	M6
14	Flexible Hose	2	Stainless Steel	F1/2XM10 X35CM

wolseley.co.uk

The information contained on this page was correct at date of issue. Fitting dimensions are provided as a guide only. Some variation may occur due to manufacturing tolerances. We pursue a policy of continuing improvement in design and performance of products and so reserve the right to change specifications without prior notice.

Version number 1.0



Plumbing

Heating

Cooling

Drainage

Pipe

Parts

wolseley.co.uk