



Torc bath filler taps

nabis

Product code – A05420

The nabis Torc – an elegant waterfall spout designed to give a touch of luxury to your bathroom.



Features:

- 1/4 turn 3/4" head valve
- Chrome finish
- Brass tap body
- Zinc handle
- Minimum working pressure: 0.3 bar
- Operation pressure range: 0.3 bar – 5 bar
- Suitable for both low & high pressure systems

Flow rates			
Pressure (Bar)	Hot water only (L/m)	Cold water only (L/m)	Mix (L/m)
0.1	3.60	3.70	4.60
0.2	8.00	5.10	8.90
0.3	11.10	11.00	11.70
0.4	13.00	19.80	13.60
0.5	14.40	14.40	15.10
1	21.50	21.40	22.20
2	31.50	31.50	31.90

Product dimension and weight	
Product dimension (mm)	236 x 123.5 x 166
Net weight (kg)	1.450
Gross weight (kg)	1.890



Plumbing

Heating

Cooling

Drainage

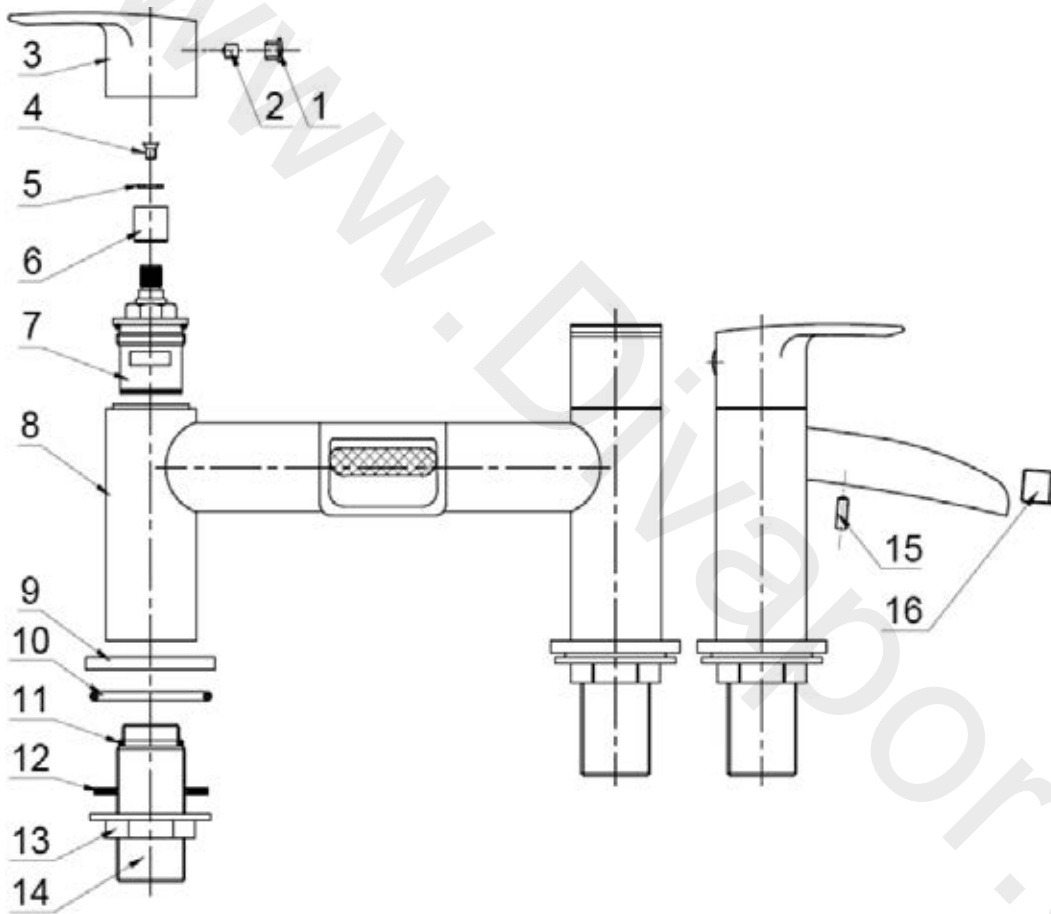
Pipe

Parts

WOLSELEY



The Specialist Merchant



Details

Item	Description	Qty	Material	Spec
1	Indice	2	Plastic	-
2	Screw	2	Stainless Steel	M5X6
3	Handle	2	Zinc	-
4	Screw	2	Stainless Steel	-
5	'O' Ring	2	Iron	-
6	Nut	2	Plastic	-
7	Head Valve	2	Assembly	G3/4"
8	Body	1	Hpb59-1	-

Item	Description	Qty	Material	Spec
9	Base Plate	2	Hpb59-1	-
10	'O' Ring	2	Rubber	-
11	'O' Ring	2	Rubber	Ø18XØ2.5
12	'O' Ring	2	Rubber	G3/4"
13	Back Nut	2	Brass	G3/4"
14	Inlet	2	Hpb59-1	G3/4"
15	Screw	1	Stainless Steel	-
16	Aerator	1	Stainless Steel	-

wolseley.co.uk

The information contained on this page was correct at date of issue. Fitting dimensions are provided as a guide only. Some variation may occur due to manufacturing tolerances. We pursue a policy of continuing improvement in design and performance of products and so reserve the right to change specifications without prior notice.

Version number 1.0



wolseley.co.uk