



## Inga basin mixer no waste tap

nabis

Product code – A05421

The Inga range exhibits contrasting design with sharp edges meeting smooth curves and an open water flow.



### Features:

- 35mm cartridge monobloc basin mixer
- Chrome finish
- Brass tap body
- Zinc handle
- Minimum working pressure: 0.3 bar
- Operation pressure range: 0.3 bar – 5 bar
- Suitable for both low & high-pressure systems

Flow rates			
Pressure (Bar)	Hot water only (L/m)	Cold water only (L/m)	Mix (L/m)
0.1	4.30	4.30	4.80
0.2	5.20	5.10	5.80
0.3	6.50	6.40	7.10
0.4	7.80	7.80	8.20
0.5	9.10	9.00	9.60
1	13.00	13.10	13.90
2	19.10	19.00	20.00
3	23.80	23.70	24.50
4	27.00	27.20	27.80
5	32.50	32.50	32.50

Product dimension and weight	
Product dimension (mm)	130 x 42 x 135
Net weight (kg)	0.960
Gross weight (kg)	1.350



Plumbing

Heating

Cooling

Drainage

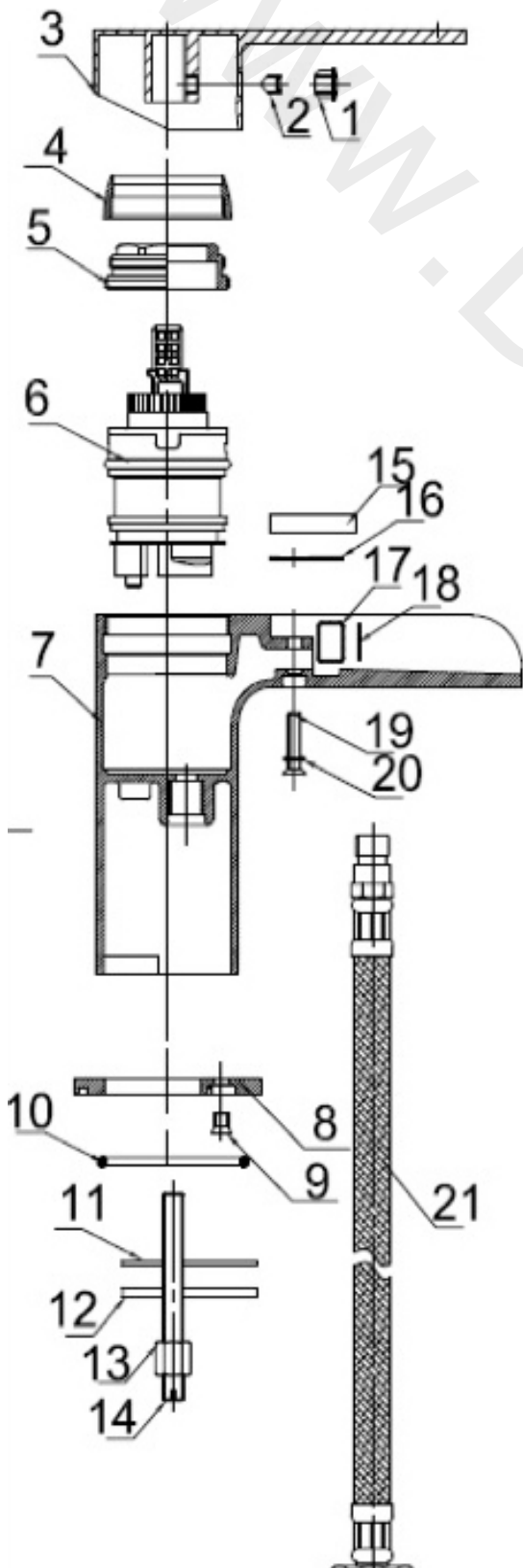
Pipe

Parts

**WOLSELEY**



The Specialist Merchant



## Details

Item	Description	Qty	Material	Spec
1	Indice	1	Plastic	-
2	Screw	1	Stainless Steel	M5X6
3	Handle	1	Zinc	-
4	Cap Nut	1	Plastic	-
5	Nut	1	Hpb59-1	-
6	Cartridge	1	Plastic	-
7	Body	1	Hpb59-1	-
8	Base Ring	1	Zinc	-
9	Screw	2	Stainless Steel	M4X5
10	'O' Ring	1	Rubber	Ø46X2
11	Rubber Washer	1	Rubber	-
12	Iron Washer	1	Iron	-
13	Nut	2	Brass	-
14	Fixing Bar	2	Iron	-
15	Sealing	1	Hpb59-1	-
16	'O' Ring	1	Rubber	-
17	Aerator	1	Stainless Steel	-
18	Aerator	1	Stainless Steel	-
19	Screw	1	Stainless Steel	09138
20	'O'Ring	1	Rubber	Ø7XØ1.9
21	Flexible Hose	1	Stainless Steel	XXXXXX

wolseley.co.uk

The information contained on this page was correct at date of issue. Fitting dimensions are provided as a guide only. Some variation may occur due to manufacturing tolerances. We pursue a policy of continuing improvement in design and performance of products and so reserve the right to change specifications without prior notice.

Version number 1.0



wolseley.co.uk