



Vector basin mixer no waste tap

nabis

Product code – A05425

With a striking cubic design, the nabis Vector range is a bold contemporary statement. nabis brand bathroom products are amongst the best of the market and provide you with quality every time.



Features:

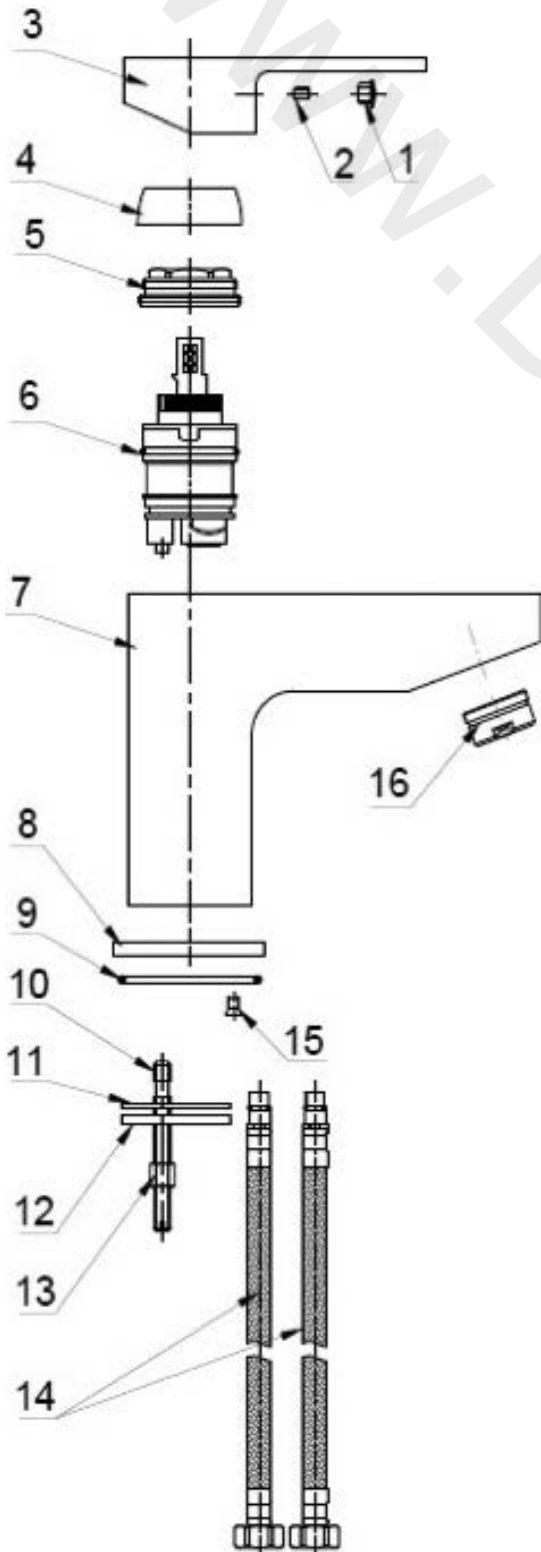
- 35mm monobloc basin mixer
- Chrome finish
- Brass tap body
- Zinc handle
- Neopearl aerator
- Minimum working pressure: 0.3 bar
- Operation pressure range: 0.3 bar – 5 bar
- Suitable for both low & high-pressure systems

Flow rates			
Pressure (Bar)	Hot water only (L/m)	Cold water only (L/m)	Mix (L/m)
0.1	3.10	3.10	3.60
0.2	4.10	4.10	4.70
0.3	5.20	5.20	5.80
0.4	6.00	6.00	6.40
0.5	7.00	7.10	7.50
1	11.00	11.10	11.50
2	16.20	16.10	16.80
3	19.20	19.20	19.70
4	22.20	22.10	22.90
5	25.10	25.10	25.60

Product dimension and weight	
Product dimension (mm)	154.5 x 54 x 141.5
Net weight (kg)	1.200
Gross weight (kg)	1.600



The Specialist Merchant



Details

Item	Description	Qty	Material	Spec
1	Indice	1	Plastic	-
2	Screw	1	Stainless Steel	M5X6
3	Handle	1	Zinc	-
4	Cap Nut	1	Plastic	M34X1.25
5	Nut	1	Hpb59-1	M34X1.25
6	Cartridge	1	Plastic	Ø35
7	Body	1	Hpb59-1	-
8	Base Plate	1	Hpb59-1	-
9	'O' Ring	1	Rubber	Ø52XØ2.5
10	Fixing Bar	2	Iron	M5
11	Rubber Washer	1	Rubber	M5
12	Iron Washer	1	Iron	M5
13	Nut	2	Brass	M5
14	Flexible Hose	2	Stainless Steel	F1/2XM10 X38CM
15	Screw	2	Stainless Steel	M4X5
16	Aerator	1	Assembly	M24X1

wolseley.co.uk

The information contained on this page was correct at date of issue. Fitting dimensions are provided as a guide only. Some variation may occur due to manufacturing tolerances. We pursue a policy of continuing improvement in design and performance of products and so reserve the right to change specifications without prior notice.

Version number 1.0



wolseley.co.uk