



## Regal bath pillar taps

nabis

Product code – A05429

The nabis Regal range boasts a traditional design that appeals to classic taste.



### Features:

- Full turn cartridge
- Chrome finish
- Brass tap body
- Zinc handle
- Minimum working pressure: 0.3 bar
- Operation pressure range: 0.3 bar – 5 bar
- Suitable for both low & high-pressure systems

Flow rates		
Pressure (Bar)	Hot water only (L/m)	Cold water only (L/m)
0.1	3.8	3.8
0.2	4.4	4.4
0.3	5.1	5.1
0.4	6.2	6.2
0.5	7.3	7.3
1	10.4	10.4
2	16.5	16.5
3	20.8	20.8
4	24.0	24.0
5	26.6	26.6

Product dimension and weight	
Product dimension (mm)	117.5 x 47 x 136
Net weight (kg)	0.950
Gross weight (kg)	1.120



Plumbing

Heating

Cooling

Drainage

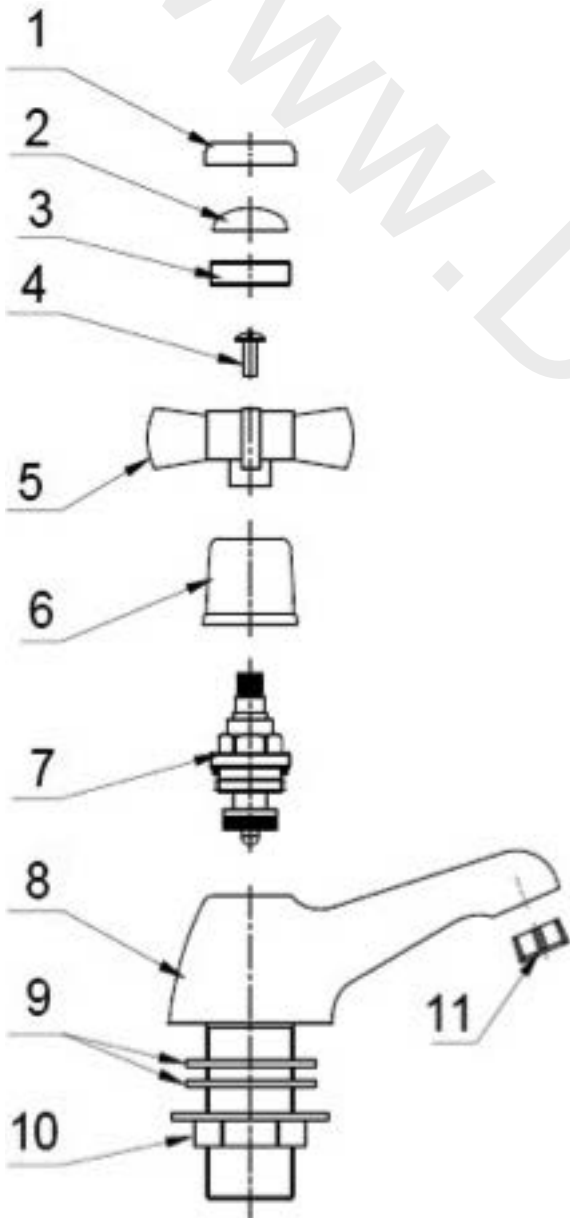
Pipe

Parts

**WOLSELEY**



The Specialist Merchant



## Details

Item	Description	Qty	Material	Spec
1	Cap Nut	1	Hpb59-1	M24X1
2	Indice	1	Ceramics	-
3	Connector	1	Hpb59-1	M24X1
4	Screw	1	Stainless Steel 304	M4X10
5	Handle	1	Zinc	-
6	Rosette	1	Zinc	-
7	Head Valve	1	Assembly	G1/2"
8	Body	1	Hpb59-1	-
9	'O' Ring	2	Rubber	G3/4"
10	Back Nut	1	Brass	G3/4"
11	Aerator	1	POM	-

wolseley.co.uk

The information contained on this page was correct at date of issue. Fitting dimensions are provided as a guide only. Some variation may occur due to manufacturing tolerances. We pursue a policy of continuing improvement in design and performance of products and so reserve the right to change specifications without prior notice.

Version number 1.0



wolseley.co.uk