



## Genius II basin pillar taps

nabis

Product code – A05434

The nabis Genius II range is a contemporary crosshead range comprised of a fusion of modern style and classic design hints.



### Features:

- 1/4 turn 1/2" head valve
- Chrome finish
- Brass tap body
- Zinc handle
- Minimum working pressure: 0.3 bar
- Operation pressure range: 0.3 bar – 5 bar
- Suitable for both low & high pressure systems

Flow rates		
Pressure (Bar)	Hot water only (L/m)	Cold water only (L/m)
0.1	5.7	5.7
0.2	7.5	7.5
0.3	9.0	9.0
0.4	10.1	10.1
0.5	11.0	11.0
1	15.6	15.6
2	22.3	22.3
3	27.5	27.5
4	32.5	32.5

Product dimension and weight	
Product dimension (mm)	133 x 45 x 163.8
Net weight (kg)	0.750
Gross weight (kg)	1.070



Plumbing

Heating

Cooling

Drainage

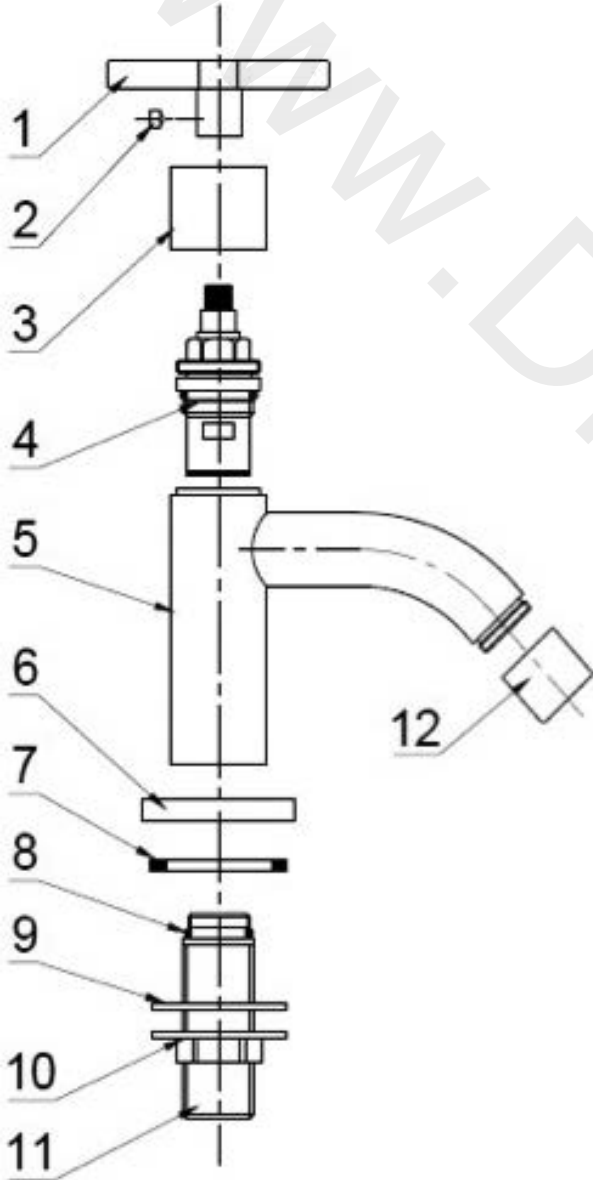
Pipe

Parts

**WOLSELEY**



The Specialist Merchant



## Details

Item	Description	Qty	Material	Spec
1	Handle	1	Zinc	-
2	Screw	1	Stainless Steel	M5X4
3	Rosette	1	Zinc	-
4	Head Valve	2	Assembly	G1/2"
5	Body	1	Hpb59-1	-
6	Base Plate	1	Hpb59-1	-
7	'O' Ring	1	Rubber	-
8	'O' Ring	1	Rubber	Ø18XØ2
9	'O' Ring	1	Rubber	-
10	Back Nut	1	Brass	-
11	Inlet	1	Hpb59-1	-
12	Aerator	1	Assembly	-

wolseley.co.uk

The information contained on this page was correct at date of issue. Fitting dimensions are provided as a guide only. Some variation may occur due to manufacturing tolerances. We pursue a policy of continuing improvement in design and performance of products and so reserve the right to change specifications without prior notice.

Version number 1.0



Plumbing

Heating

Cooling

Drainage

Pipe

Parts

wolseley.co.uk