



Genius II basin mixer no waste tap

nabis

Product code – A05435

The nabis Genius II range is a contemporary crosshead range comprised of a fusion of modern style and classic design hints.



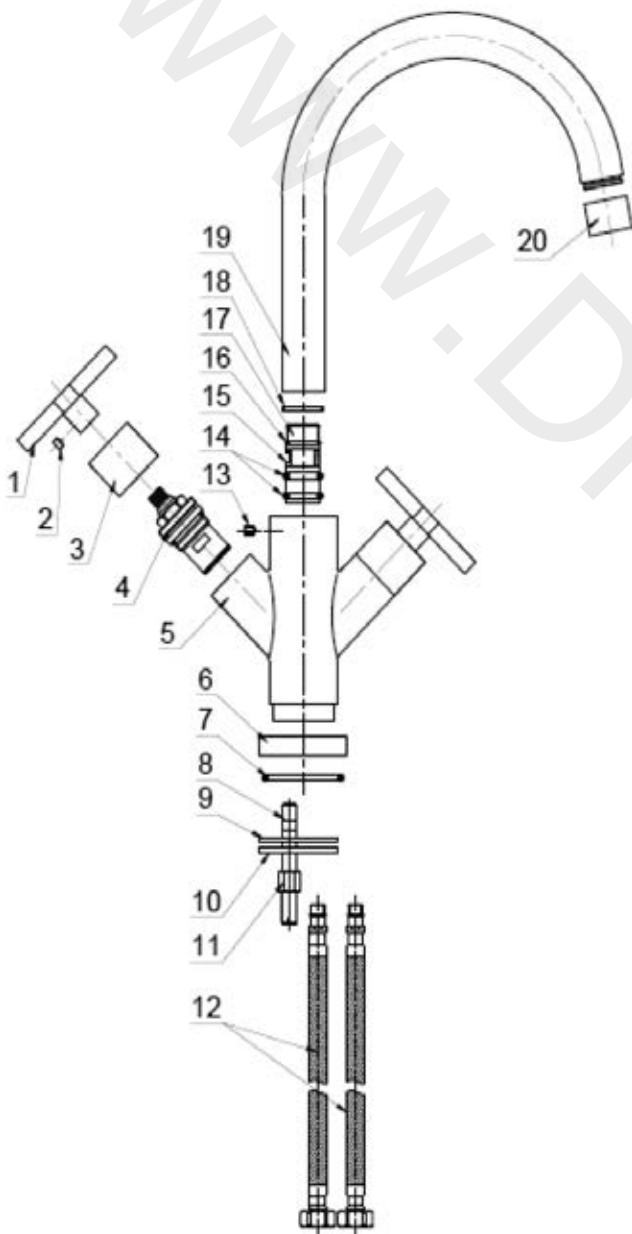
Features:

- 1/4 turn 1/2" head valve monobloc basin mixer
- Chrome finish
- Brass tap body
- Zinc handle
- Minimum working pressure: 0.3 bar
- Operation pressure range: 0.3 bar – 5 bar
- Suitable for both low & high-pressure systems

Flow rates			
Pressure (Bar)	Hot water only (L/m)	Cold water only (L/m)	Mix (L/m)
0.1	2.0	2.0	2.7
0.2	2.9	2.9	3.4
0.3	3.4	3.4	4.0
0.4	4.1	4.2	4.8
0.5	4.9	4.9	5.7
1	6.7	6.6	7.8
2	10.5	10.4	11.5
3	15.0	15.1	16.2
4	17.1	17.0	18.1
5	18.8	18.7	20.0

Product dimension and weight	
Product dimension (mm)	256 x 45 x 281
Net weight (kg)	1.250
Gross weight (kg)	1.750





Details

Item	Description	Qty	Material	Spec
1	Handle	1	Zinc	-
2	Screw	1	Stainless Steel	M5X4
3	Rosette	1	Zinc	-
4	Head Valve	2	Assembly	G1/2"
5	Body	1	Hpb59-1	-
6	Base Plate	1	Hpb59-1	-
7	'O' Ring	1	Rubber	Ø42XØ3
8	Fixing Bar	1	Iron	-
9	Rubber Washer	1	Rubber	-
10	Iron Washer	1	Iron	-
11	Nut	1	Brass	-
12	Flexible Hose	2	Stainless Steel	XXXXXX
13	Screw	1	Stainless Steel	M4X6
14	'O' Ring	2	Rubber	Ø16XØ3
15	'O' Ring	1	Plastic	-
16	'O' Ring	1	Rubber	Ø15XØ2
17	Connector	1	Hpb59-1	-
18	'O' Ring	1	Plastic	-
19	Spout	1	Hpb59-1	-
20	Aerator	1	Assembly	M24X1

wolseley.co.uk

The information contained on this page was correct at date of issue. Fitting dimensions are provided as a guide only. Some variation may occur due to manufacturing tolerances. We pursue a policy of continuing improvement in design and performance of products and so reserve the right to change specifications without prior notice.

Version number 1.0



Plumbing

Heating

Cooling

Drainage

Pipe

Parts

wolseley.co.uk