



Genius II bath pillar taps

Product code – A05436

The nabis Genius II range is a contemporary crosshead range comprised of a fusion of modern style and classic design hints.

nabis



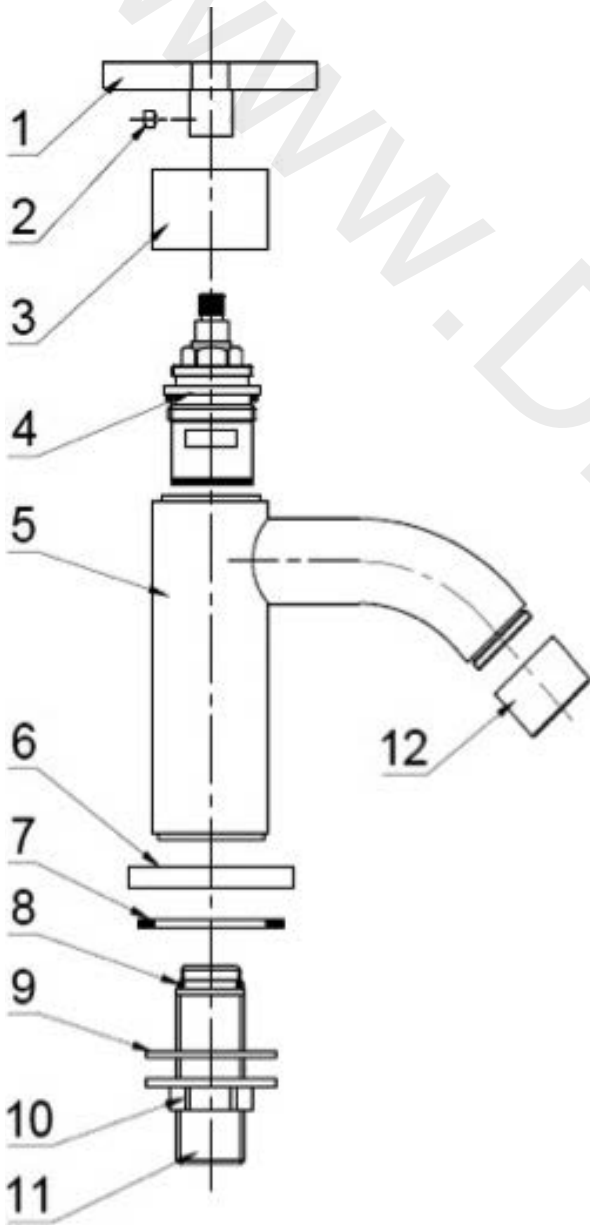
Features:

- 1/4 turn 3/4" head valve
- Chrome finish
- Brass tap body
- Zinc handle
- Minimum working pressure: 0.3 bar
- Operation pressure range: 0.3 bar – 5 bar
- Suitable for both low & high pressure systems

| Flow rates | | |
|----------------|----------------------|-----------------------|
| Pressure (Bar) | Hot water only (L/m) | Cold water only (L/m) |
| 0.1 | 6.0 | 6.0 |
| 0.2 | 8.0 | 8.0 |
| 0.3 | 9.3 | 9.3 |
| 0.4 | 10.4 | 10.4 |
| 0.5 | 11.7 | 11.7 |
| 1 | 16.7 | 16.7 |
| 2 | 24.0 | 24.0 |
| 3 | 30.0 | 30.0 |
| 3.5 | 32.5 | 32.5 |

| Product dimension and weight | |
|------------------------------|--------------------|
| Product dimension (mm) | 138.7 X 50 x 186.8 |
| Net weight (kg) | 1.290 |
| Gross weight (kg) | 1.500 |





Details

| Item | Description | Qty | Material | Spec |
|------|-------------|-----|-----------------|--------|
| 1 | Handle | 1 | Zinc | - |
| 2 | Screw | 1 | Stainless Steel | M5X4 |
| 3 | Rosette | 1 | Zinc | - |
| 4 | Head Valve | 2 | Assembly | G1/2" |
| 5 | Body | 1 | Hpb59-1 | - |
| 6 | Base Plate | 1 | Hpb59-1 | - |
| 7 | 'O' Ring | 1 | Rubber | - |
| 8 | 'O' Ring | 1 | Rubber | Ø18XØ2 |
| 9 | 'O' Ring | 1 | Rubber | - |
| 10 | Back Nut | 1 | Brass | - |
| 11 | Inlet | 1 | Hpb59-1 | - |
| 12 | Aerator | 1 | Assembly | - |

wolseley.co.uk

The information contained on this page was correct at date of issue. Fitting dimensions are provided as a guide only. Some variation may occur due to manufacturing tolerances. We pursue a policy of continuing improvement in design and performance of products and so reserve the right to change specifications without prior notice.

Version number 1.0



Plumbing

Heating

Cooling

Drainage

Pipe

Parts

wolseley.co.uk