



Genius II bath filler taps

nabis

Product code – A05437

The nabis Genius II range is a contemporary crosshead range comprised of a fusion of modern style and classic design hints.



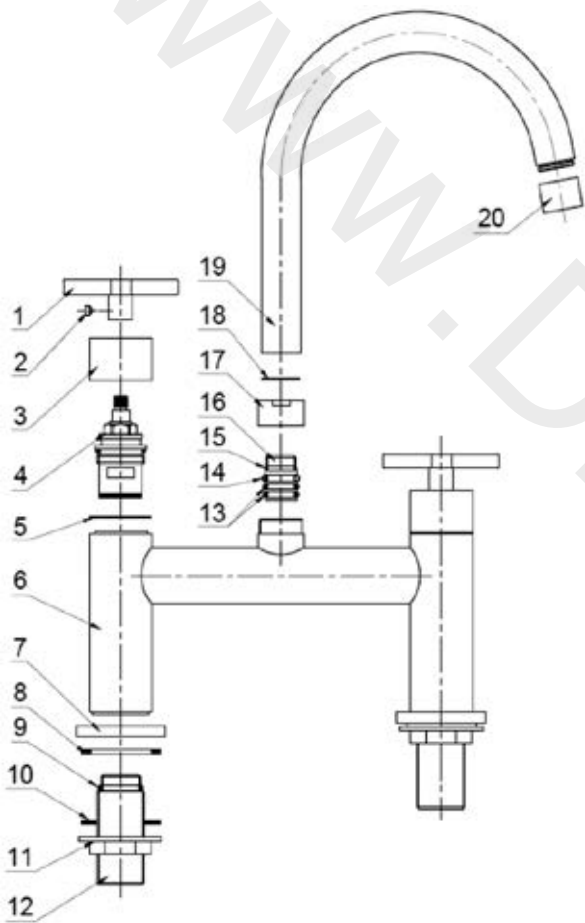
Features:

- 1/4 turn 3/4" head valve
- Chrome finish
- Brass tap body
- Zinc handle
- Minimum working pressure: 0.3 bar
- Operation pressure range: 0.3 bar – 5 bar
- Suitable for both low & high pressure systems

Flow rates			
Pressure (Bar)	Hot water only (L/m)	Cold water only (L/m)	Mix (L/m)
0.1	7.30	7.40	9.40
0.2	10.80	10.70	12.74
0.3	13.80	13.80	15.04
0.4	15.70	15.60	16.80
0.5	17.60	17.50	18.83
1	24.50	24.50	26.34
2	32.50	32.50	32.50

Product dimension and weight	
Product dimension (mm)	230 x 50 x 341.5
Net weight (kg)	1.450
Gross weight (kg)	1.800





Details

Item	Description	Qty	Material	Spec
1	Handle	2	Zinc	-
2	Screw	2	Stainless Steel	M5X4
3	Rosette	2	Zinc	-
4	Head Valve	2	Assembly	G3/4"
5	'O' Ring	2	Plastic	-
6	Body	1	Hpb59-1	-
7	Base Plate	2	Hpb59-1	-
8	'O' Ring	2	Rubber	-
9	'O' Ring	2	Rubber	Ø18XØ2.5
10	'O' Ring	2	Rubber	G3/4"

Item	Description	Qty	Material	Spec
11	Back Nut	2	Brass	G3/4"
12	Inlet	2	Hpb59-1	G3/4"
13	'O' Ring	2	Rubber	Ø18XØ2.7
14	'O' Ring	1	Plastic	-
15	'O' Ring	1	Rubber	Ø15XØ2
16	Connector	1	Hpb59-1	-
17	Nut	1	Hpb59-1	-
18	'O' Ring	1	Plastic	-
19	Spout	1	Hpb59-1	-
20	Aerator	1	Assembly	-

wolseley.co.uk

The information contained on this page was correct at date of issue. Fitting dimensions are provided as a guide only. Some variation may occur due to manufacturing tolerances. We pursue a policy of continuing improvement in design and performance of products and so reserve the right to change specifications without prior notice.

Version number 1.0



wolseley.co.uk