

www.divap.com

# IDYLL SINGLE LEVER BRASSWARE



The Bathroom Works  
National Avenue  
Kingston upon Hull  
HU5 4HS  
England  
Telephone: (01482) 346461  
Telefax: (01482) 445886.

**CUSTOMER CARE HELPLINE**  
**0870 1296085**  
**FAX LINE 01482 499611**

**email: [ukcustcare@IdealStandard.com](mailto:ukcustcare@IdealStandard.com)**

Ideal Standard pursues a policy of continuing improvement in design and performance of its products. The right is, therefore, reserved to vary specifications without notice.

Ideal Standard (UK) Ltd.

E965048  
4098 03/08

## Installation Instructions



**INSTALLER**  
After installation pass to user for future reference

## GENERAL NOTES

### IDYLL BRASSWARE

Euro Code	Product
E0245	1 Hole Basin Mixer
E0265	1 Hole Bidet Mixer
E0285	1 Hole Bath Filler
E0305	1 Hole Bath/Shower Mixer

**A single lever gives easier control of flow and mix of water.**

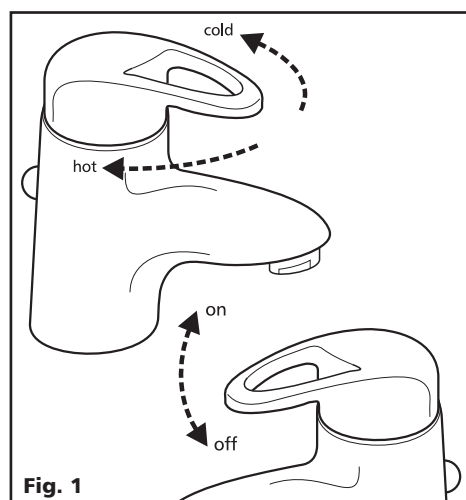


Fig. 1

#### BASIN AND BIDET MIXERS

**COLD on RIGHT - HOT on LEFT**

Connections for hot and cold supplies are in 10mm copper tube, which can be bent to suit the installation and 10mm/15mm connectors are used to connect to 15mm supply pipework.

#### BATH FILLER & BATH SHOWER MIXER

**COLD on LEFT - HOT on RIGHT**

Connections for hot and cold supplies are in 15mm copper tube which can be bent

to suit the installation and 15mm/22mm connections are used to connect to 22mm supply pipework.

All Idyll single lever fittings incorporate a multi-port ceramic disc cartridge which, because of an increased lever travel arc from cold to hot, gives a greater sensitivity to temperature control. A temperature blend control, which can be preset at 5 different settings to restrict the movement of the lever handle, is also incorporated and is a major safety feature.

#### WATER SUPPLIES

All Idyll fittings are designed for installation on normal UK low pressure storage tank fed systems or unvented high pressure systems. It is recommended that the hot and cold supply pressures are reasonably balanced for both low pressures and unvented high pressure systems for optimum performance. The basin and bidet fittings are designed to operate on supply pressures from 0.1Bar minimum to 5.0Bar maximum. The Idyll bath filler and bath/shower fittings should not be installed on pressures greater than 2 Bar. In order to achieve this on a high pressure system, (above 2Bar) pressure reducing valves will need to be fitted onto the hot and cold water supplies. A flow straightener is fitted in the spout and a Neoperl aerator/flow restrictor (not supplied) should also be fitted. A Neoperl aerator/flow restrictor is available from Ideal-Standard if required.

The setting number can be selected on site to suit the needs of the user as follows:-

Prise out the setting insert using a small screw driver in the groove and move it to the position 1, 2, 3 or 4. The setting insert can be moved with the handle connection in any position. Fig. 7 gives an approximate mixed water temperature from the fitting, assuming that the inlet temperatures of hot and cold supplies are constant and at equal flow pressures. These figures are given as a guide only. For accurate temperature setting, it is recommended that the selection of the setting number be carried out when both hot and cold water supplies are available. Replace the lever handle, washer, nut and cap after setting is complete.

**The cartridge retaining nut must be assembled to a torque of 3-4Nm.**

## MAINTENANCE

The unique ceramic disc cartridge contains ultra smooth ceramic discs. They are so hard that they always remain sealed together, polishing one another in use, and sand, sediment and other waste borne matter cannot get between them or damage them. Even the hardest water has no effect and this means that the Idyll fittings should give many years of efficient, trouble free service without the drip and liming up problems associated with traditional taps. However, on the unlikely event of a failure, or any problem, simply exchange the cartridge. First check the outlet nozzle for possible blockage due to a build up of debris from the pipework.

### CARTRIDGE REPLACEMENT

1. Shut off the hot and cold water supplies.
2. Lift off the metal lever handle by removing cap, nut and washer. The lever handle can be removed by pulling upwards.
3. Remove escutcheon.
4. Remove cartridge retaining nut by turning anti-clockwise.
5. Lift out the cartridge.
6. When replacing the cartridge, ensure that the peg at the bottom of the cartridge mates with the recess in the body of the fitting.
7. Replace in the reverse order. The lever handle is located correctly by the lug on the cartridge spindle.
8. Add the washer and nut and tighten. (DO NOT OVER TIGHTEN).

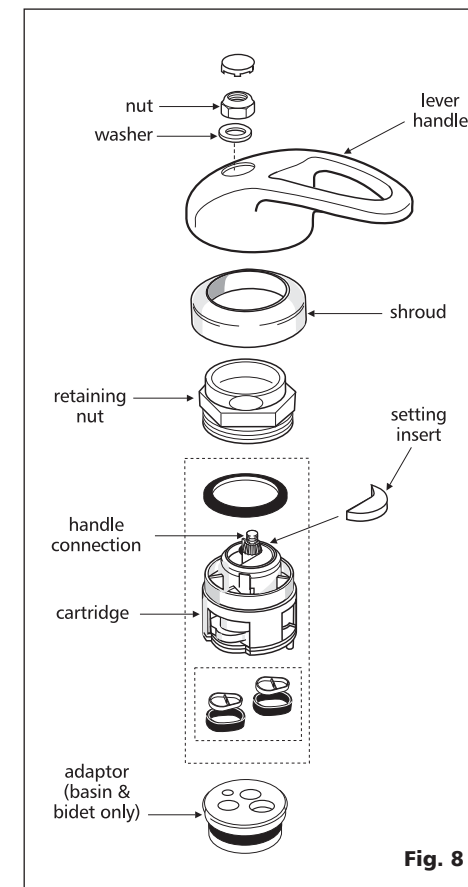


Fig. 8

## TEMPERATURE BLEND

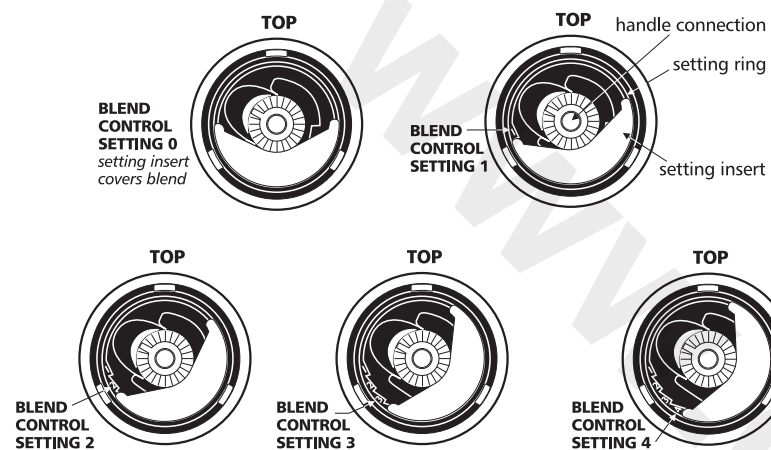


Fig. 6

Temperature Blend Control Settings and Variation of Output Temperatures with Supply Temperatures

		COLD SUPPLY TEMPERATURE																			
		5°C					10°C					15°C					20°C				
BLEND CONTROL SETTING		0	1	2	3	4	0	1	2	3	4	0	1	2	3	4	0	1	2	3	4
HOT SUPPLY TEMPERATURE	50°C	50	44	<b>39</b>	<b>33</b>	<b>28</b>	50	45	<b>40</b>	<b>35</b>	<b>30</b>	50	46	41	<b>37</b>	<b>33</b>	50	46	43	<b>39</b>	<b>35</b>
	55°C	55	49	43	<b>36</b>	<b>30</b>	55	49	44	<b>38</b>	<b>33</b>	55	50	45	<b>40</b>	<b>35</b>	55	51	46	42	<b>38</b>
	60°C	60	53	46	<b>39</b>	<b>33</b>	60	54	48	41	<b>35</b>	60	54	49	43	<b>38</b>	60	55	50	45	<b>40</b>
	65°C	65	58	50	43	<b>35</b>	65	58	51	44	<b>38</b>	65	59	53	46	<b>40</b>	65	59	54	48	43
	70°C	70	62	54	46	<b>38</b>	70	63	55	48	<b>40</b>	70	63	56	49	43	70	64	58	51	45
	75°C	75	66	58	49	<b>40</b>	75	67	59	51	43	75	68	60	53	45	75	68	61	54	48
	80°C	80	77	61	52	43	80	71	63	54	45	80	72	64	56	48	80	73	65	58	50

Fig. 7 NOTE Bold type indicates output temperatures of 40°C and below.

### SET TEMPERATURE BLEND CONTROL

With the Idyll fittings a temperature blend control is incorporated in the ceramic disc cartridge which can be preset at five different settings to restrict the movement of the lever handle and so control the volume of hot water from the fitting. Fig. 6 illustrates the top of the

cartridge and the setting insert which can be moved from position 0 to 4 in the setting ring. The cartridge is factory set at position 0 which allows the lever to move through an arc of 120° with a maximum delivery of hot water, as the setting number increases, so the lever travel arc and volume of hot water is reduced.

### WATER BYELAWS INSTALLATION REQUIREMENTS

As the incorrect installation of water fittings may result in contravention of water byelaw requirements the following "Installation Requirements & Notes" (IRN's) are intended as guides to water undertakers, consumers, installers and their customers. These IRN's relate to the byelaws implemented by the water undertakers from 1st January 1989.

The following IRN's apply to the Idyll fittings listed:

E0245	Idyll 1 Hole Basin Mixer	IRN No. 101
E0285	Idyll 1 Hole Bath Filler	IRN No. 101
E0305	Idyll 1 Hole Bath/Shower Mixer	IRN No's 104, 109 & 111
E0245	Idyll 1 Hole Bidet Mixer	IRN No. 140

## BASIN & BIDET INSTALLATION

- Connect fixation bracket to the underside of the basin/bidet mixer body. **(This is a left hand thread)**
- Connect the two 10mm tails to the underside of the basin/bidet mixer body.
- Hold the fixation bracket in the vertical position and place through the basin/bidet tap hole - ensuring that the 'O' ring remains above the basin/bidet platform as this acts as a watertight seal between the two surfaces, **(Fig. 2a)**.
- Once positioned correctly, tighten the fitting to the basin/bidet using the Allen key provided. (Retain the Allen key for future use).
- Once tightened, position the vertical waste rod through the same vertical hole and connect this to the horizontal rod using the connector provided, **(Figs. 2b & 2c)**.

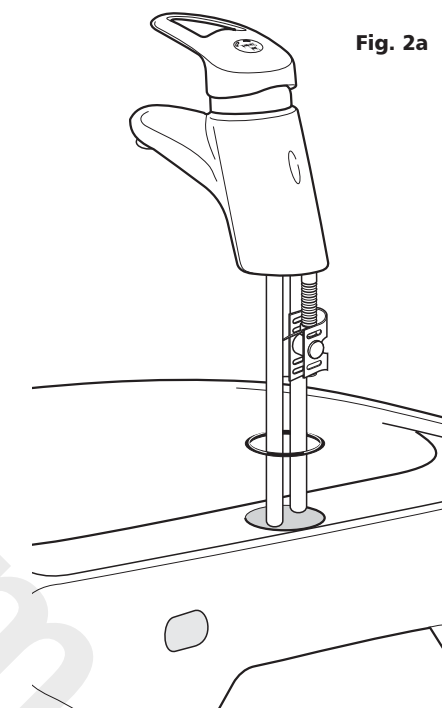
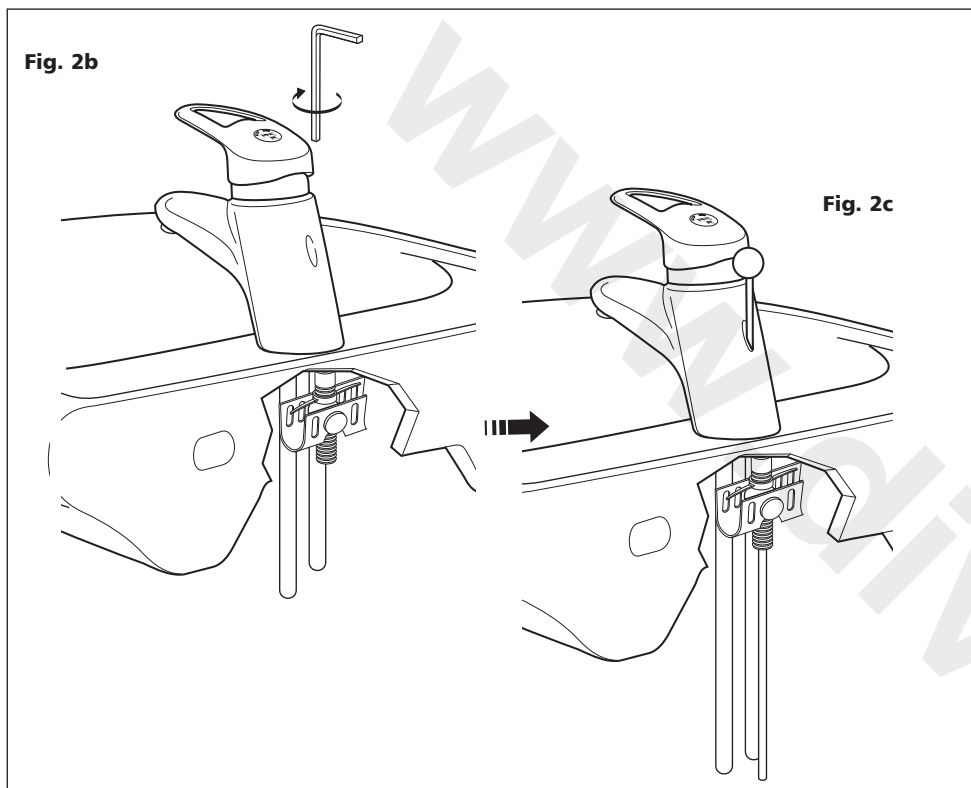


Fig. 2a

## BASIN & BIDET INSTALLATION



## BATH FILLER & BATH/SHOWER MIXER INSTALLATION

The Idyll monoblock bath fittings requires a bath without tap holes, to which a 50mm (2") diameter hole needs to be drilled in the rim. Before drilling the holes in the rim of the bath, the following should be considered:-

- *The fittings should not be fitted directly in line with the overflow of the bath as the pop-up waste and overflow assembly may foul the fitting.*
- *Select the tap position carefully if a shower screen is to be fitted, or if the fitting is to be installed near to a wall.*

### 1 HOLE BATH FITTINGS INSTALLATION

Flush water through the pipework to remove debris etc. before connecting the fitting.

- Place the monoblock bath fittings onto the bath rim and draw around the outline ensuring that you have checked clearance and handle operation. **See Fig. 3.**
- Drill a 50mm (2") hole in the centre of the drawn outline. **See Fig. 4.**
- Insert fitting into the tap hole. Fit the 'O' ring above the bath and the back plate washer, back plate and sleeve fixation nuts under the bath. **See Fig. 5.**
- Tighten sleeve fixation nuts.
- Fit waste and overflow.

