

www.divaport.com

6 CLEANING

When cleaning the shower valve always use soap based cleaners. Never use abrasive or scouring powders and never use cleaners containing alcohol, ammonia, nitric acid, phosphoric acid or disinfectants.

SILVER

**THERMOSTATIC BUILT-IN SHOWER VALVE
SECOND FIX KIT**



**CUSTOMER CARE HELPLINE
0870 129 6085**

**CUSTOMER CARE FAX
01482 499611**

**E-MAIL
UKcustcare@IdealStandard.com**

Ideal Standard pursues a policy of continuing improvement in design and performance of its products. The right is therefore reserved to vary specification without notice.

Ideal Standard is a division of Ideal Standard (UK) Ltd

Ideal Standard
The Bathroom Works, National Avenue
Kingston-upon-Hull, HU5 4HS England

4771 11/08

E96551800



Installation Instructions

A3642AA Silver DC Second Fix Kit

INSTALLER:
After installation please pass this instruction booklet to the user

2 GENERAL

The fittings covered by this installation and maintenance instruction should be installed in accordance with the water regulations published in 1999*, therefore American Standard would strongly recommend that these fittings are installed by a professional installer

*A guide to the Water Supply (Water Fittings) Regulations 1999 and the Water Byelaws 2000, Scotland is published by WRAS (Water Regulations Advisory Scheme) Fern Close, Pen-y-Fan Industrial Estate, Oakdale, Newport, NP11 3EH. ISBN 0-9539708-0-9

The second fix kit detailed in the following pages is designed to be installed with the TT Valve Dual Control First Fix Kit A3969NU - Instruction Ref. E96549000

Instructions for installing the valves are packed with them it but further copies can be obtained from Customer Care (see back cover for contact details) quoting the reference numbers above.

ASSEMBLY OF THERMOSTATIC HANDLE CARRIER

Please refer to the exploded drawing below Fig 1

When fitting the Silver 2nd fix kit to the TT valve first fix kit, it will be necessary to discard the plastic temperature handle extension from the first fix kit and replace it with the shorter brass temperature handle extension (35) delivered with the second fix kit.

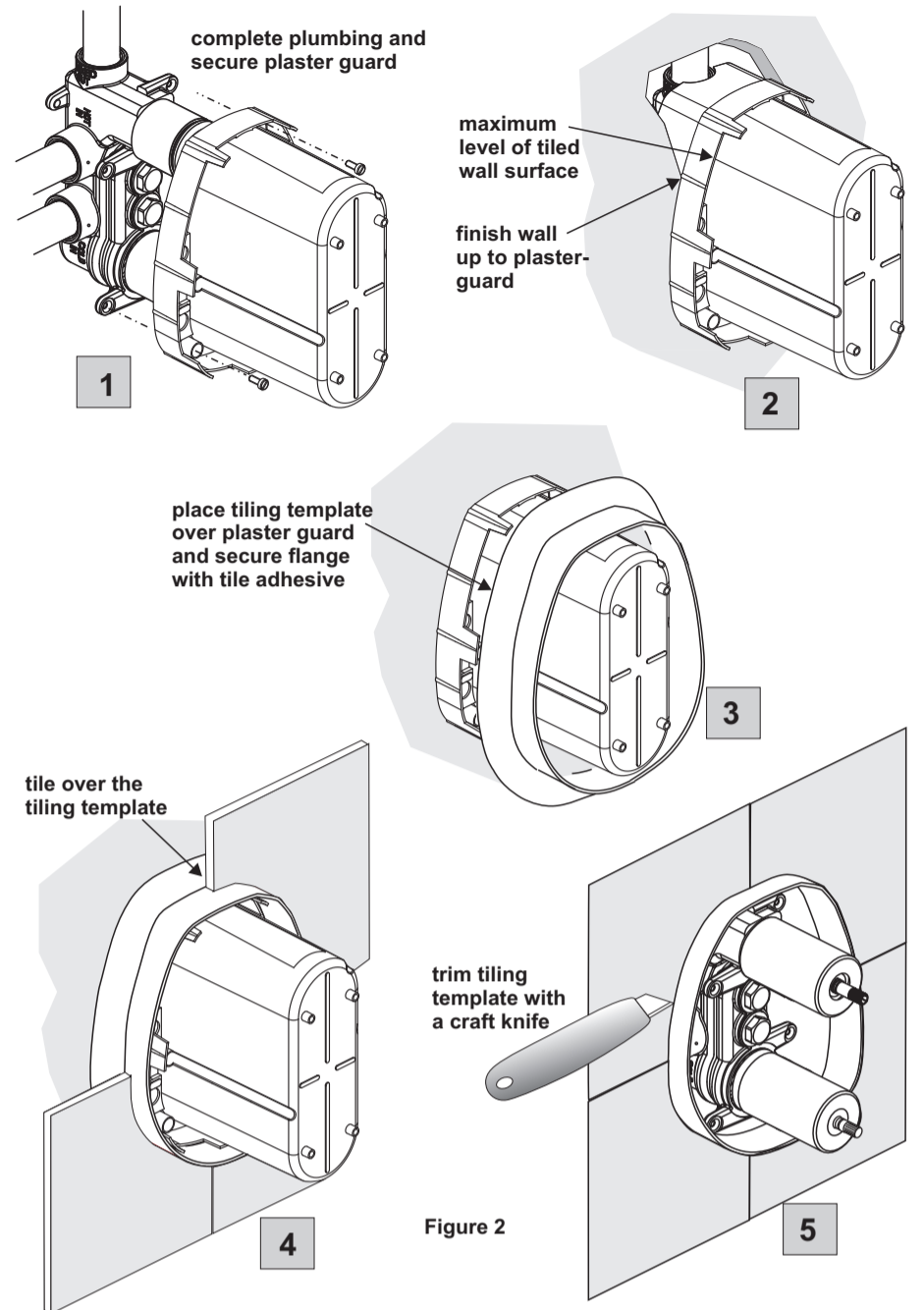
The brass extension should be fully engaged on the thermostatic cartridge and secured using the grub screws (37). The rod (34) should then be inserted into the end of the extension (35).

Ensuring that arrow1 (fig 1) is at 12 o'clock push the handle carrier (1) onto the brass extension (35) so that it locks in position.

Turn the handle carrier (1) until arrow2 is at 12 o'clock then push the splined carrier (32) onto it ensuring it is pushed fully home* then lock in position with the grub screw (33). (Take care not to over tighten)

*When fully home the bottom edge of the splined carrier (32) will be more or less flush with the bottom flange of the handle carrier (1)

4 TILING WITH THE TEMPLATE



3 SILVER PARTS

Ref. Description

1	Flow control handle carrier
2	Escutcheon holder
2a	Gasket escutcheon holder
2b	Escutcheon holder small
2c	Fixing screws
11	Silver faceplate
27	Silver flow control handle
28	Silver temperature handle
29	Silver shrouds

Ref. Description

30	Silver shroud seal, inside
31	Grub screw for Silver handles
32	Silver temp handle splined carrier
33	Grub screw for splined carrier
34	Rod for handle extension
35	Brass temperature handle extension
36	O-ring
37	Grub screws

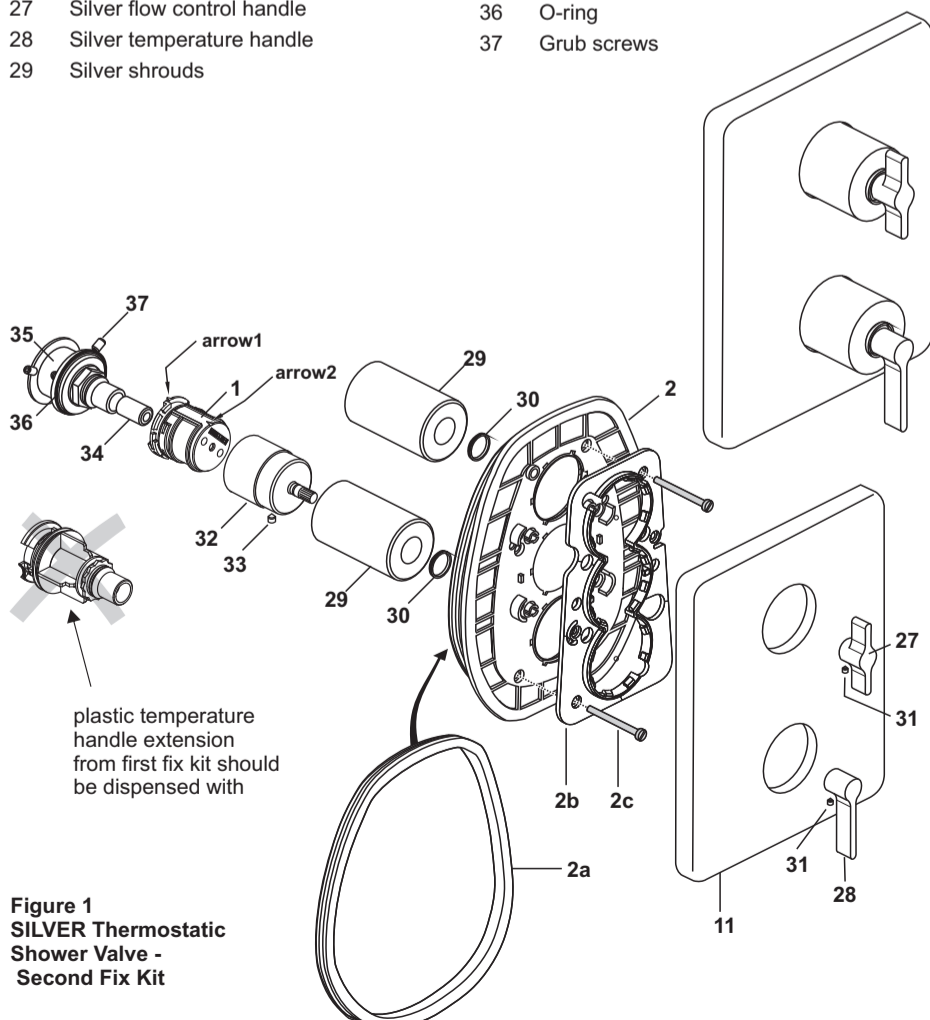


Figure 1
SILVER Thermostatic
Shower Valve -
Second Fix Kit

5 FITTING THE FACEPLATES

The TT Valve should be fitted as recommended in the leaflet packed with it. For completeness, some of the guidance for making good the wall is repeated here.

- Place the plaster guard over the valve body and fix in position using the screws provided.
- Make good the wall up to the plaster guard.
- Push the tiling template over the plaster guard and attach to the wall using tile adhesive.
- Complete the tiling, trimming the tiles around the tiling template as shown
- Trim the tiling template back to the tiled wall surface using a craft knife and de-burr the inside edge of the template to permit a good lead-in for the back plate seal.
- Ensure the shrouds are fitted to the valve body with the drainage holes pointing downwards. Push the escutcheon holder with its seal attached followed by the small escutcheon holder, into the tiling template until it touches the tiled wall surface, ensuring that the o-rings slide smoothly over the shrouds (if necessary these may be lubricated with water containing a little washing up liquid)
- Secure using the two screws provided.
- Push the face plate onto the escutcheon holder assembly until it snaps into place. Attach the handles using the grub screws provided.

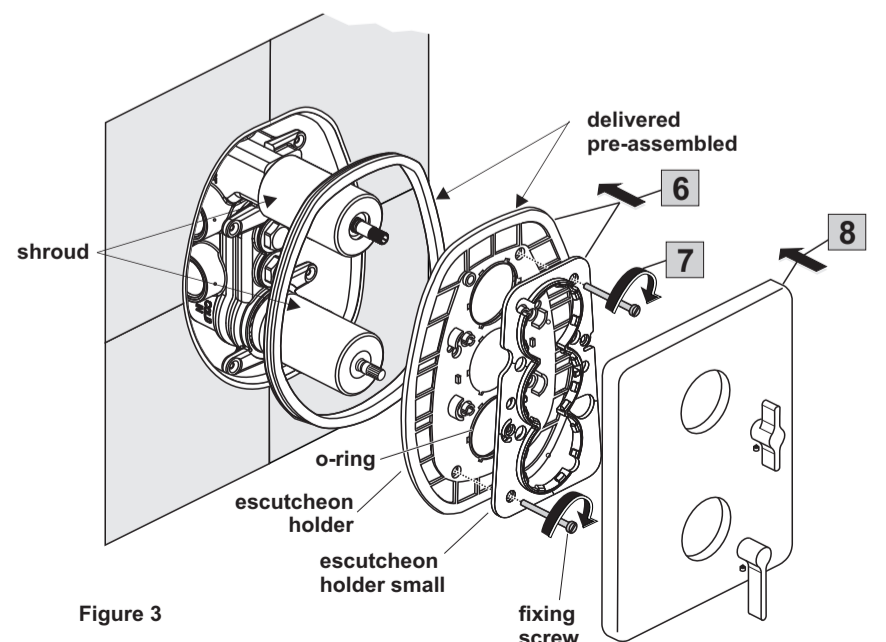


Figure 3