

A3669 Artefact Three Hole Bath/Shower Mixer

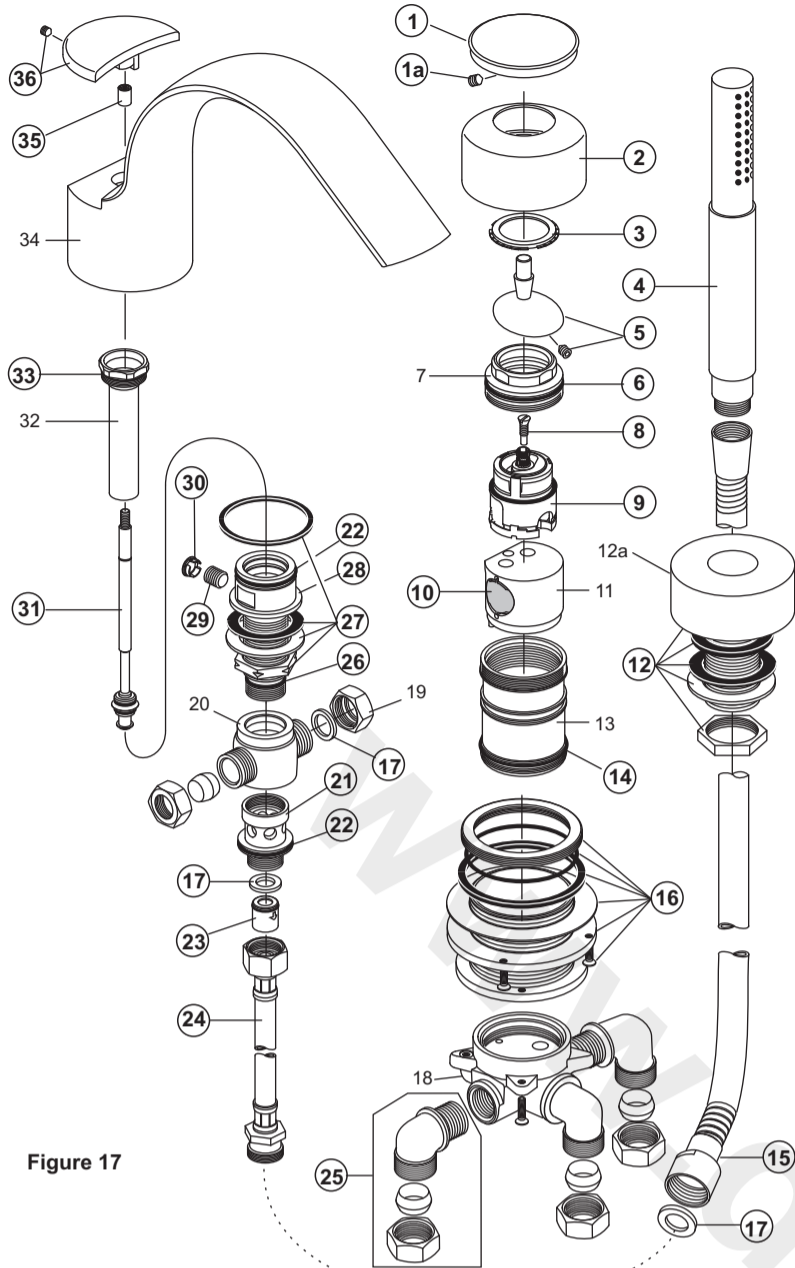


Figure 17

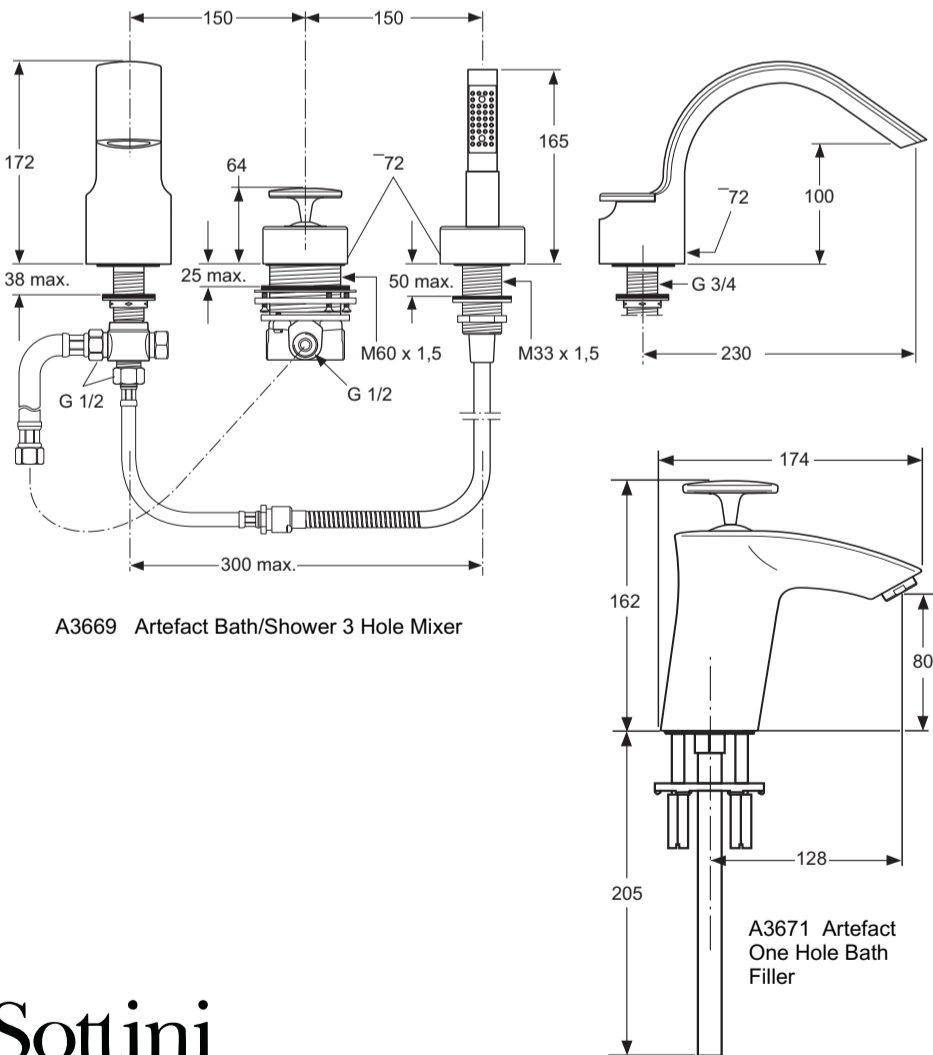
Ref	Description
1	Artefact handle disc
1a	Handle disc screw M5 x 6
2	Artefact shroud
3	Handle lever seal
4	Artefact handspray
5	Artefact handle lever
6	O-Ring Seal JS cartridge
7	Cartridge screw
8	Cartridge MP40HF joystick
9	Cartridge adapter
10	Resting station
11	Resting station trim
12	Upper body seal
12a	Flexible shower hose pull out
13	Valve body fixing kit
14	Flexible shower hose seal
15	Divertor seal lower inner body
16	Check valve
17	Flexible - Divertor to shower hose
18	Inlet elbows G½ x 15mm
19	Divertor seal - upper to lower
20	Divertor body fixing kit
21	Grub screw - Spout fixing
22	Cover cap - Spout fixing
23	Divertor rod complete
24	Divertor upper sleeve seal
25	Divertor handle connector
26	Divertor handle
27	
28	
29	
30	
31	
32	
33	
34	
35	
36	

**SAFETY FOR THE USER**

The fittings are not thermostatically controlled and outlet temperatures depend on the position of the control handle, the hot and cold temperatures & pressures. If cold water supply fails for any reason, only hot water at it's maximum temperature will be delivered. Before using the handspray check that the temperature of the mixed water is satisfactory. Young children, the elderly and infirm should be supervised when using the bath or handspray.

**CLEANING**

When cleaning the fittings always use soap based cleaners. Never use abrasive or scouring powders and never use cleaners containing alcohol, ammonia, nitric acid, phosphoric acid or disinfectants.



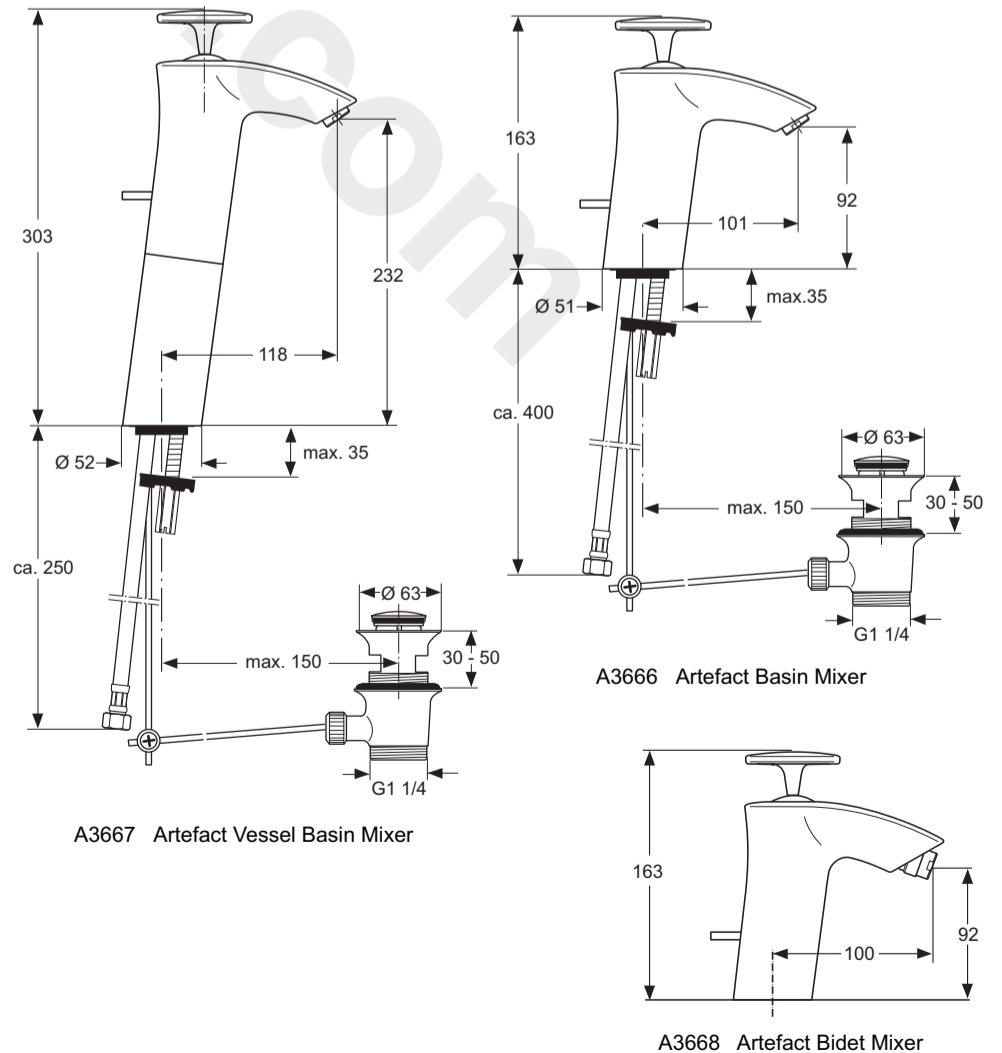
A3669 Artefact Bath/Shower 3 Hole Mixer

A3671 Artefact One Hole Bath Filler

**ARTEFACT**

**Joystick lever bathroom fittings**

**Installation Instructions**



A3667 Artefact Vessel Basin Mixer

A3666 Artefact Basin Mixer

A3668 Artefact Bidet Mixer

**Sottini**

**CUSTOMER CARE HELPLINE  
0870 129 6085**

**CUSTOMER CARE FAX  
01482 499611**

**E-MAIL  
UKcustcare@idealstandard.com**

Sottini pursues a policy of continuing improvement in design and performance of its products. The right is therefore reserved to vary specification without notice.

Sottini is a division of Ideal Standard (UK) Ltd

Sottini  
The Bathroom Works, National Avenue  
Kingston-upon-Hull, HU5 4HS England

**INSTALLER:**  
*After installation please pass this instruction booklet to the user*

The fittings covered by this installation and maintenance instruction should be installed in accordance with the water regulations published in 1999\*, therefore Sottini would strongly recommend that these fittings are installed by a professional installer

\*A guide to the Water Supply (Water Fittings) Regulations 1999 and the Water Byelaws 2000. Scotland is published by WRAS (Water Regulations Advisory Scheme) Fern Close, Pen-y-Fan Industrial Estate, Oakdale, Newport, NP11 3EH. ISBN 0-9539708-0-9

RANGE

The following fittings are covered by this instruction sheet

- A3666AA Artefact Basin Mixer
- A3667AA Artefact Vessel Basin Mixer
- A3668AA Artefact Bidet Mixer
- A3669AA Artefact Bath/Shower 3 Hole Mixer
- A3671AA Artefact One Hole Bath Filler

WATER SUPPLIES

All Artefact fittings are designed for use on systems where the water pressure is a minimum of 0.1 bar with the exception of the 3 Hole Bath Shower Mixer A3669 which requires a minimum pressure of 0.5 bar. They are suitable for use up to a pressure of 5.0 bar.

At pressures above 2.0 bar it may be found desirable to replace the flow straighteners with Neoparl aerator/flow restrictors (not possible on 3 hole bath mixer). These are not supplied but can be obtained by contacting the customer care team (see section 11) quoting the following reference numbers:

- A960018AA Basin and Bidet
- A960309AA One hole bath fitting

It is recommended that the hot and cold supply pressures are reasonably balanced and from a common source.

CONNECTIONS

All Artefact fittings follow the convention of hot connection on the left and cold on the right.

The connections to the basin and bidet fittings are by 10mm rigid copper tails.

The one hole bath filler has 15mm rigid copper tails. A 48mm hole will have to be cut in the bath to accommodate it. Care should be exercised locating it. It is frequently not possible to place this bath filler adjacent to the overflow as some tap ledges are too narrow to accommodate both. Often the front tap ledge corner is found to be a suitable location.

Connections to the 3 hole bath fitting are G½ female. Elbows converting this to 15mm compression are provided. These should be fitted using traditional methods. Two 35mm and one 60mm holes will have to be cut in the bath tub.

Again the installer should ensure there is no conflict between elements of the fitting and the pop-up waste mechanism before cutting the holes.

ASSEMBLY - 3 HOLE BATH SHOWER MIXER

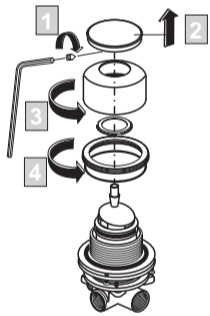


Figure 3

**NOTE:** Because the individual parts of this valve are connected by the installer, there is freedom as to where on the bath they are positioned. When making this decision it should be remembered that only certain baths will permit the spout/diverter unit to be fitted directly in line with the overflow. This should be avoided if possible to ensure a problem free installation.

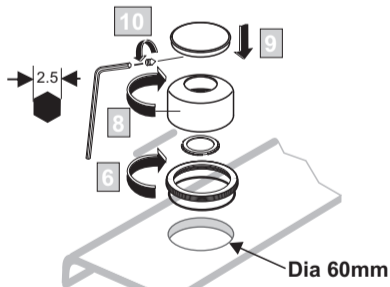


Figure 4

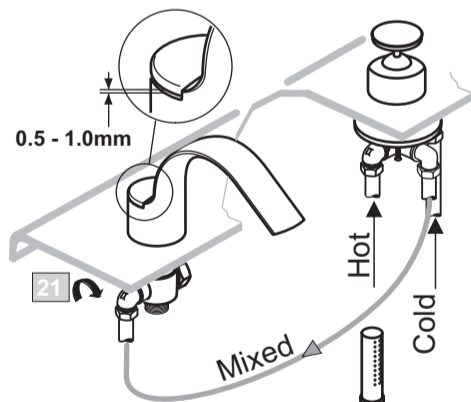


Figure 6

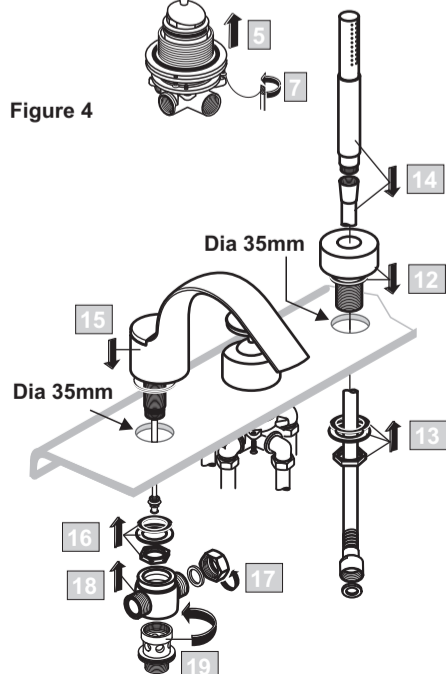


Figure 5

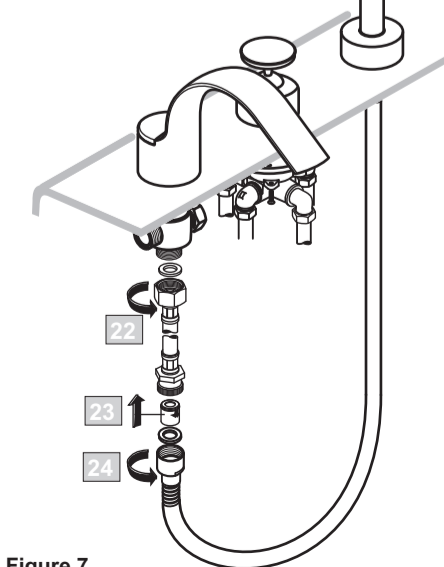


Figure 7

ONE HOLE BASIN AND BIDET

All the one hole basin, vessel basin and bidet fittings are secured by clamping a retaining plate and gasket against the underside of the tap deck using a fixation sleeve nut as illustrated in Figure 1

Care should be taken to ensure the sealing washer is seated correctly on top of the tap ledge

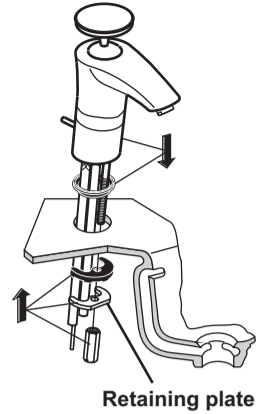


Figure 1

ONE HOLE BATH FILLER

The one hole bath filler is secured by two sleeve nuts which hold the retaining plate and gasket against the underside of the bath. The fitting can be positioned anywhere there is space on the tap ledge, but before cutting the 48mm hole it is strongly recommended that the positioning be checked to ensure there is enough space to accommodate the tails, connections and the retaining plate.

See Figure 2

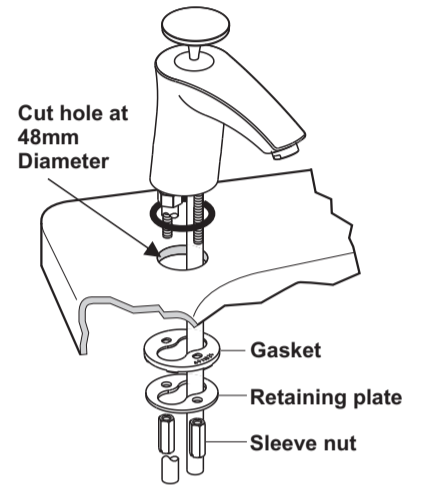


Figure 2

BACKFLOW PREVENTION

When fitted on standard basins, bidets and bath tubs the dimensions of the fittings are such that a suitable back flow protection air gap will always be present.

However, this is not necessarily the case when fitting the Basin Vessel Mixer. The user is advised to select the basin vessel carefully to ensure a suitable air gap will exist. See Figure 8

If the air gap is less than 25mm the mixer should be installed with double check valve protection on both hot and cold supplies.

For bath shower mixers the requirements are quite involved as they must take account of the possibility of the shower spray head being placed inside an adjacent appliance such as a WC.

Details of these requirements are published on leaflet E965049 which is packed with the bath shower mixer.

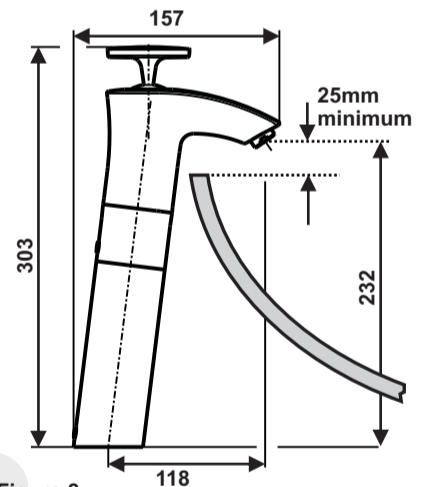


Figure 8

OPERATION

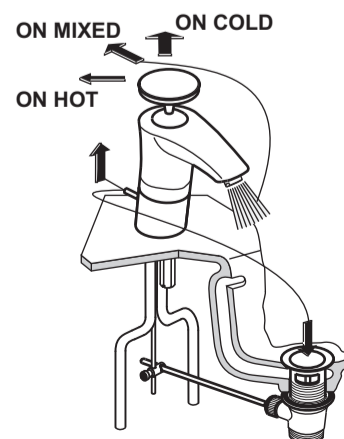


Figure 9

All Artefact fittings employ a single vertical Joy Stick type lever.

Pushing this away from the user turns it on and further away movement increases the flow.

Pushing it to the left increases the temperature while movement to the right reduces the temperature.

See Figure 9

## 6 REPLACEMENT OF CARTRIDGE

Figures 10 and 11 show the step by step procedure for the removal of the cartridge from the one hole fittings.

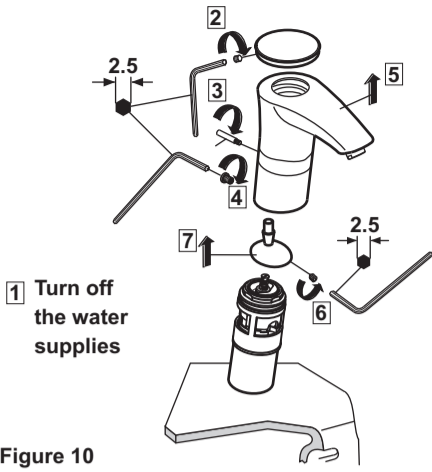


Figure 10

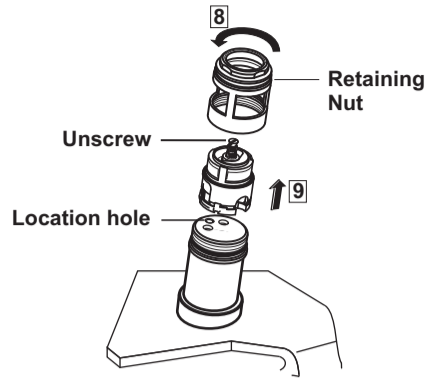


Figure 11

Figures 12 and 13 show the three hole bath fitting.

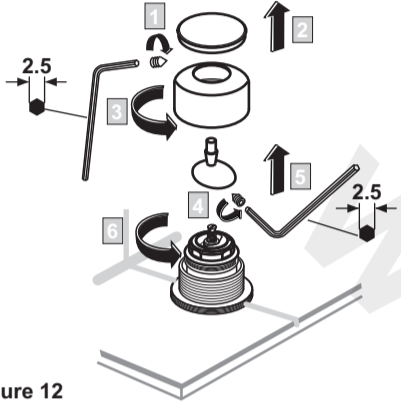


Figure 12

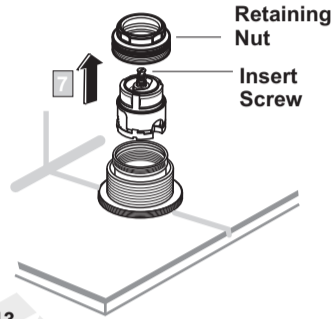


Figure 13

Undo the components in the order indicated and reassemble in reverse order.

When fitting the new cartridge care must be exercised to ensure the plastic location pin on the cartridge base engages in the location hole inside the fitting body and not into one of the water ports.

When tightening the retaining nut which both locates and seals the cartridge, care should be taken not to over-tighten. The ideal torque is 4 Nm. This is only a little more than hand tight - indeed it is possible to tighten the nut sufficiently wearing stout gloves. If over-tightened the cartridge will be stiff to operate and will have a limited life.

Note: The bath cartridges, although they look similar to the basin cartridges are constructed to give a higher flow rate and are therefore different.

## 7 REPLACEMENT OF SHOWER HOSE

To replace the shower hose unscrew the escutcheon 12a. Pull the shower hose up until the braided flexible appears.

Jam the braided flexible so that it can't fall back through the hole.

Unscrew the shower hose and replace with a new one.

Test that the joint is watertight before replacing the joined flexibles under the bath.

Replace escutcheon.

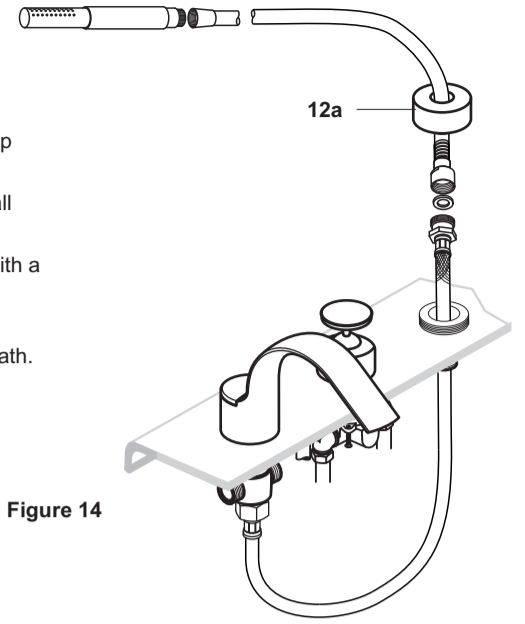


Figure 14

## 8 SPARE PARTS - ONE HOLE BATH FILLER

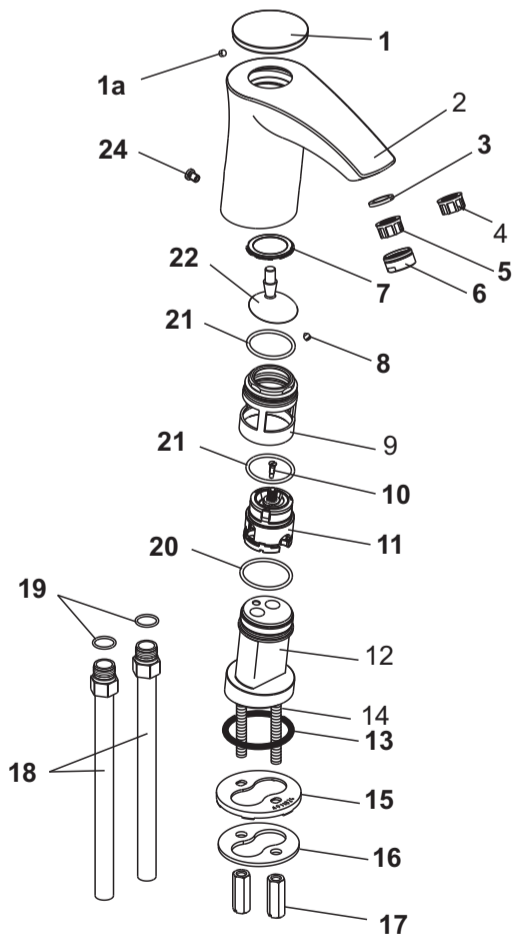


Figure 15  
A3671 Artefact One Hole Bath Filler

Ref	Description
1	Handle disc
1a	Handle disc screw M5 x 6
2	Body cover
3	Rubber washer
4	Flow straightener
5	Aerator
6	Flow straightener bezel M24
7	Lever seal ring
8	Grub screw M5 x 6
9	Fixation ring Ni plated
10	Cartridge screw M4
11	Cartridge MP40HF joystick
12	Base piece
13	Deck seal 50.39 x 3.53
14	Fixing studs M8
15	Rubber gasket
16	Fixing kit
17	Fixation nuts M8
18	Inlet tails 15mm copper
19	Inlet tail seals 15.6 x 1.78
20	Inner base seal 37.77 x 2.62
21	Cartridge top seal 34.59 x 2.62
22	Handle lever
24	Set screw M6 chrome

## 9 SPARE PARTS - ONE HOLE BASIN & BIDET

A3666 Artefact Basin Mixer  
A3667 Artefact Vessel Basin Mixer  
A3668 Artefact Bidet Mixer

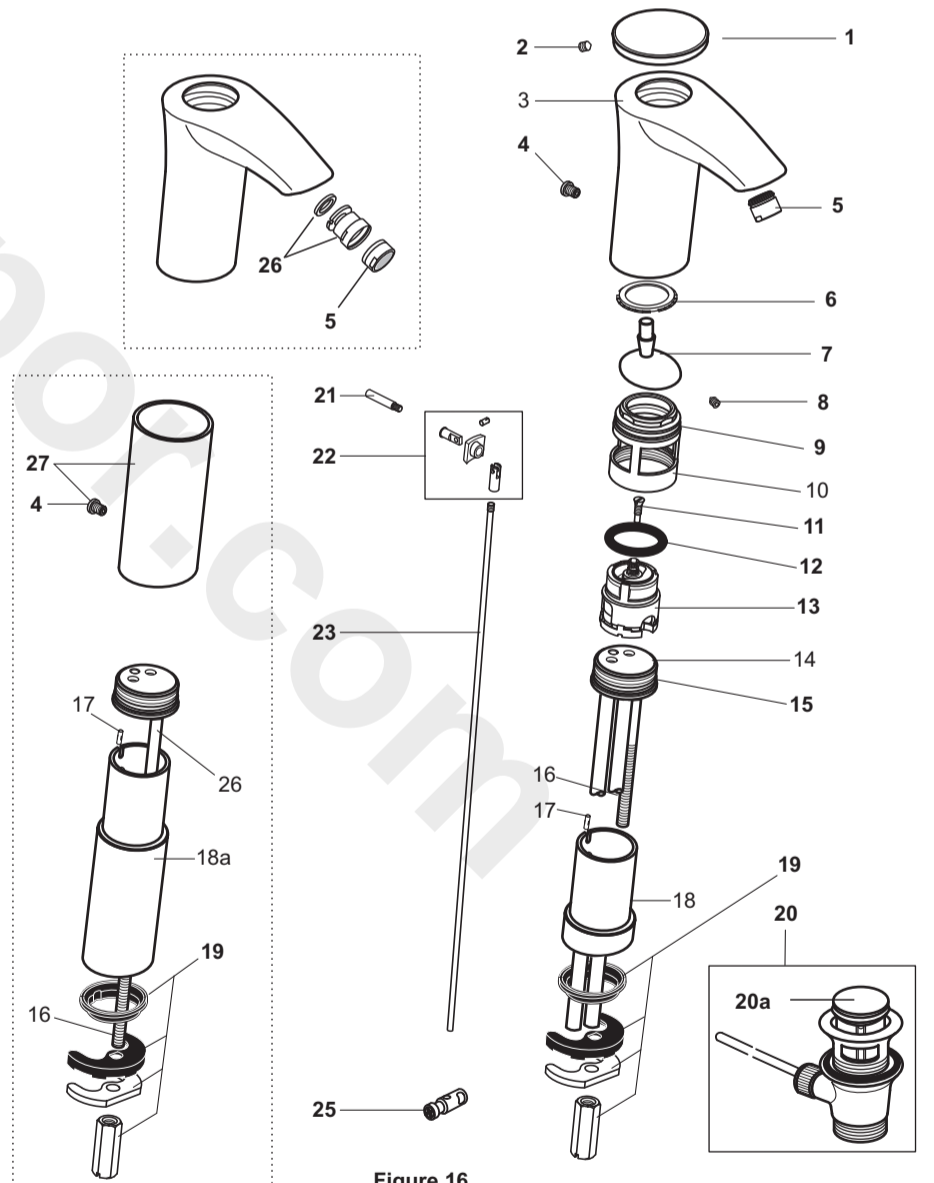


Figure 16

Ref	Description
1	Artefact handle disc
2	Handle disc screw M5 x 6
3	Body cover
4	Body securing screw
5	Flow straightener
6	Lever seal ring
7	Artefact handle lever
8	Grub screw
9	O-Ring
10	Artefact cartridge securing nut
11	Screw for cartridge spindle
12	O-Ring seal JS cartridge
13	Cartridge MP40 joystick

Ref	Description
15	Cartridge adapter O-ring
16	Fixing stud
17	Location key
18	Base piece
18a	Base piece (vessel)
19	Fixing kit
20	Pop-up waste
20a	Pop-up plug
21	Pop-up handle
22	Pop-up handle mounting assembly
23	Pop-up rod
25	Pop-up rod clamp
26	Bidet swivel
27	Extension tube (vessel)