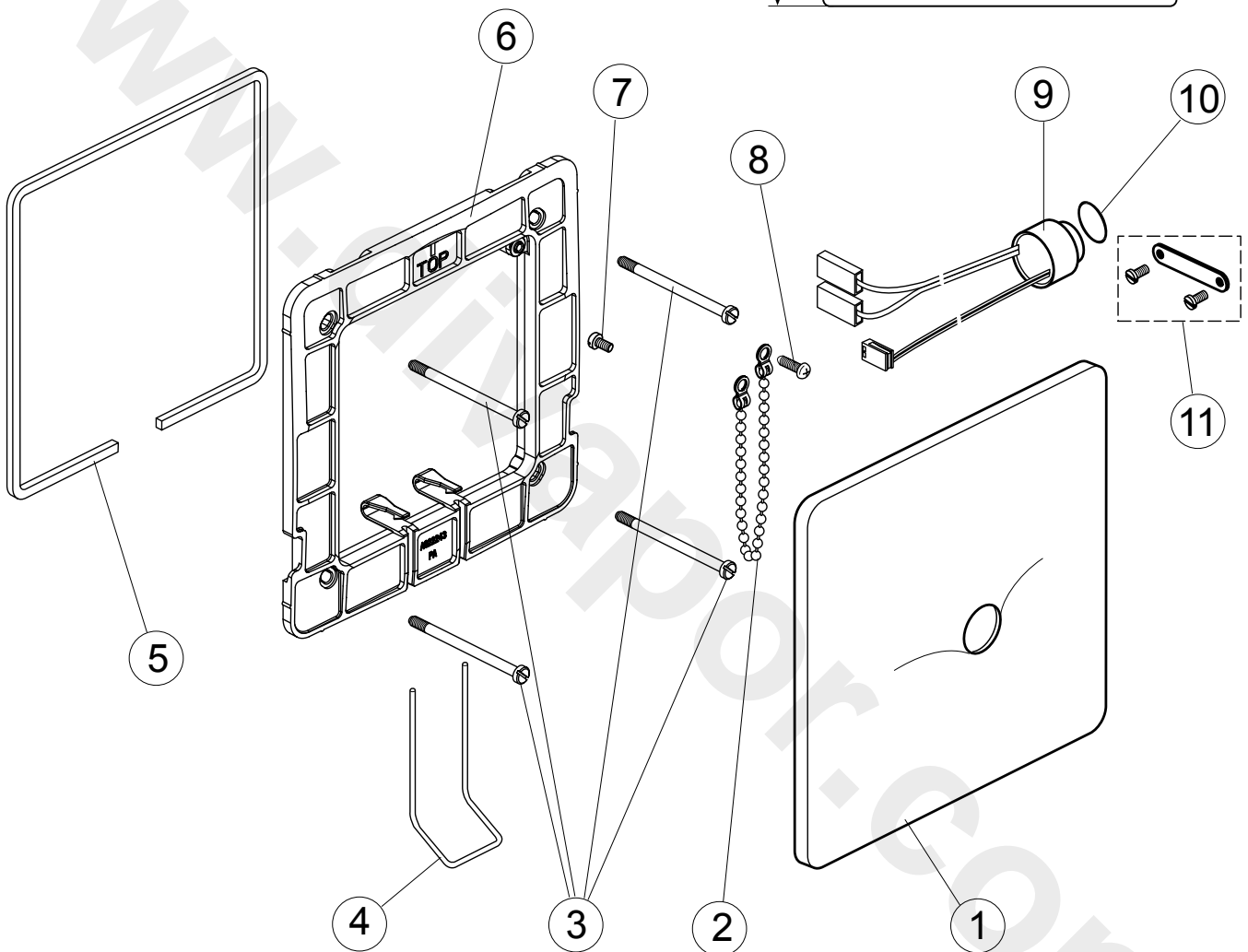
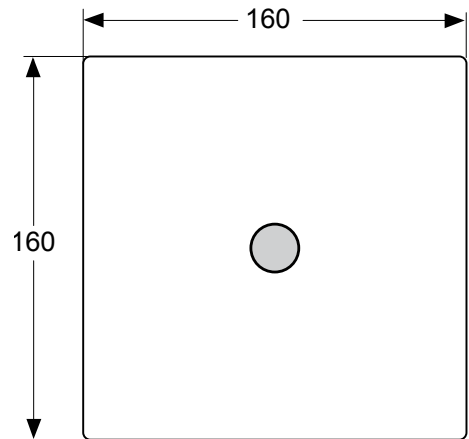


Produced from:

CS Commercial Electronic Urinal
Design parts complete with sensor
stainless steel **A3732XJ**



| Pos. | Description | Part-Number | Qty. | Pos. | Description | Part-Number | Qty. |
|------|------------------------------|---------------------|-------|------|-------------|-------------|------|
| 1 | Escutcheon for Urinal | A 960 343 XJ | 1 pcs | | | | |
| 2 | Ball chain 160mm long | A 960 347 AT | 1 pcs | | | | |
| 3 | Cylindrical screw M4x59 | A 963 331 NU | 3 pcs | | | | |
| 4 | Key for disassembly | A 960 344 NU | 1 pcs | | | | |
| 5 | Gasket 3x4x500mm | A 960 345 NU | 1 pcs | | | | |
| 6 | Escutcheon holder | A 960 346 NU | 1 Set | | | | |
| 7 | Cylindrical screw M3x6 | A 962 567 NU | 1 pcs | | | | |
| 8 | Eject-PT screw KB 35x12 | A 960 152 NU | 4 pcs | | | | |
| 9 | Sensor complete + Pos.10 | A 960 219 NU | 1 pcs | | | | |
| 10 | O - Ring Ø 15,6 x 1,78 | A 961 182 NU | 2 pcs | | | | |
| 11 | Sensor fixation (tin+screws) | A 960 342 NU | 1 pcs | | | | |