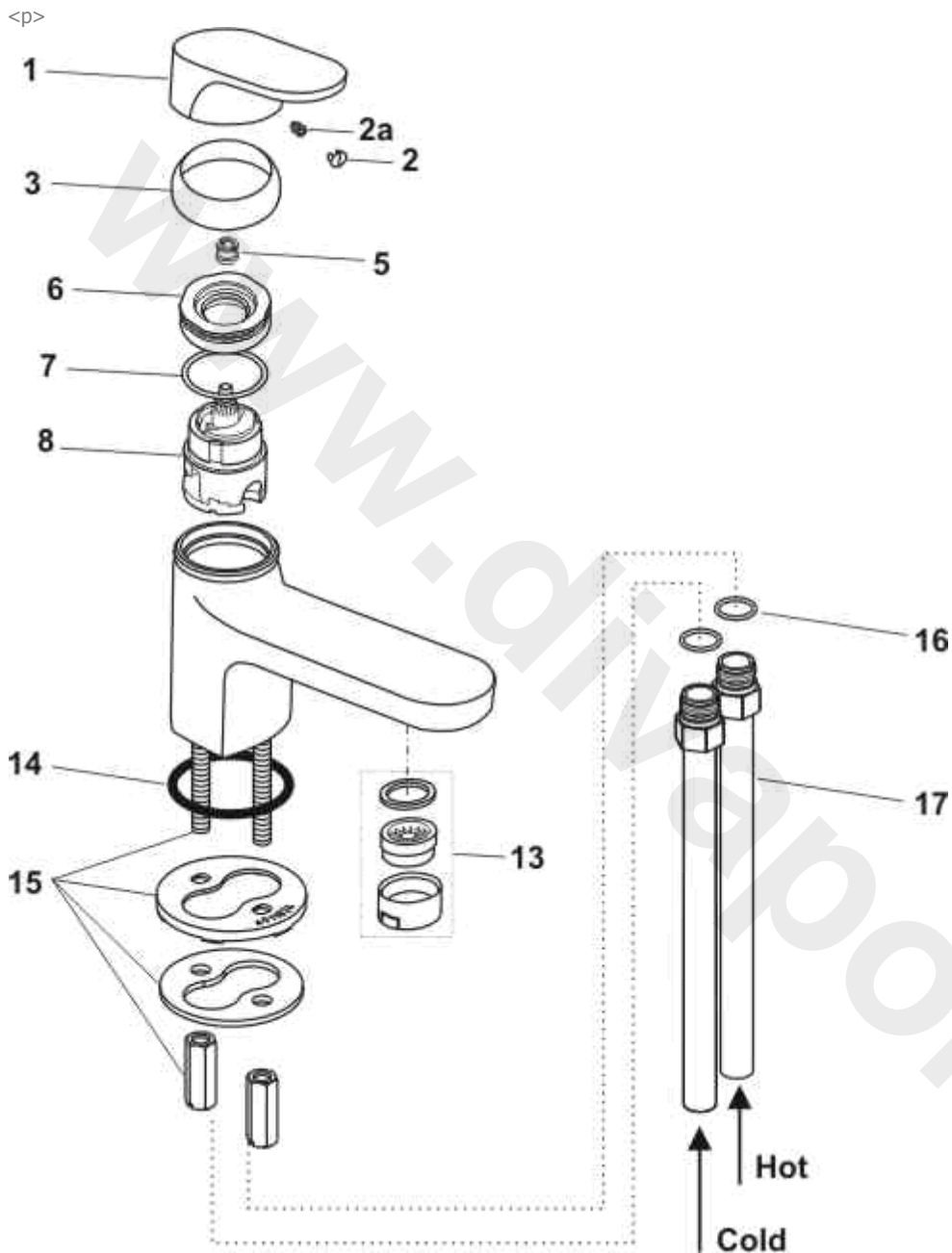


IDEAL-STANDARD BRASSWARE MOMENTS A3921 SINGLE LEVER MONOBLOCK BATH FILLER



Ref.	Description
1	Lever handle (without logo)
2	Cover cap
2a	Handle screw M5X10
3	Shroud
5	Adapter for handle fixation
6	Cartridge retaining nut
7	O-ring 35x3
8	Multiport cartridge HF
13	Flow straightener M28 x 1
14	Deck sealing washer
15	Fixing set
16	O-ring 15.6 x 1.78
17	Inlet tail

Part No.
A960876AA
A963877NU
A963309NU
A962836AA
A963372NU
A906068AT
A962715NU
A960145NU
A910210AA
E912769NU
A951515NU
A963916NU
A960133NU

NB -- colour/finish options
 Chrome = AA

