

The blend control is a simple mechanical limit stop. Located under the single lever handle, it restricts the angle to which the lever handle can be rotated towards the full hot position. To set it, the hot water system should be on and the hot water up to normal working temperature. A thermometer will be required to measure the maximum blend temperature.

- Remove the handle as previously described and pull off the shroud (1 & 3)
- The blend control stop (white crescent shaped plastic moulding) can then be removed. In its factory set position "0" - shown dotted in Figure 10 - it does not limit the lever handle movement and the highest possible temperature will be possible.
- To find the best setting for the installation conditions start by inserting the limit stop in position 4 - shown on figure 10
- Operate the fitting and measure the water temperature at the maximum setting.
- If not high enough, reposition the stop in position 3 and check the temperature again.
- Repeat the process until the temperature at the maximum setting is satisfactory.
- Refit the shroud and handle then check that the maximum blend temperature is still satisfactory.

See the "safety for the user" note on Page 5

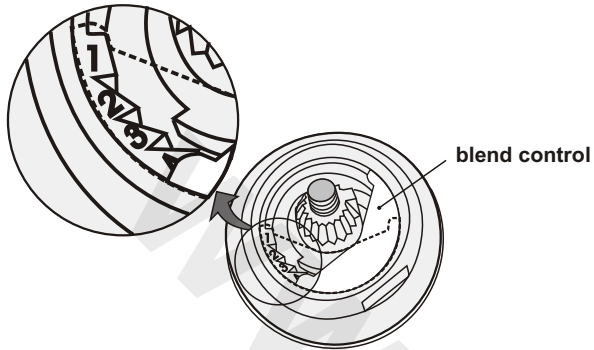
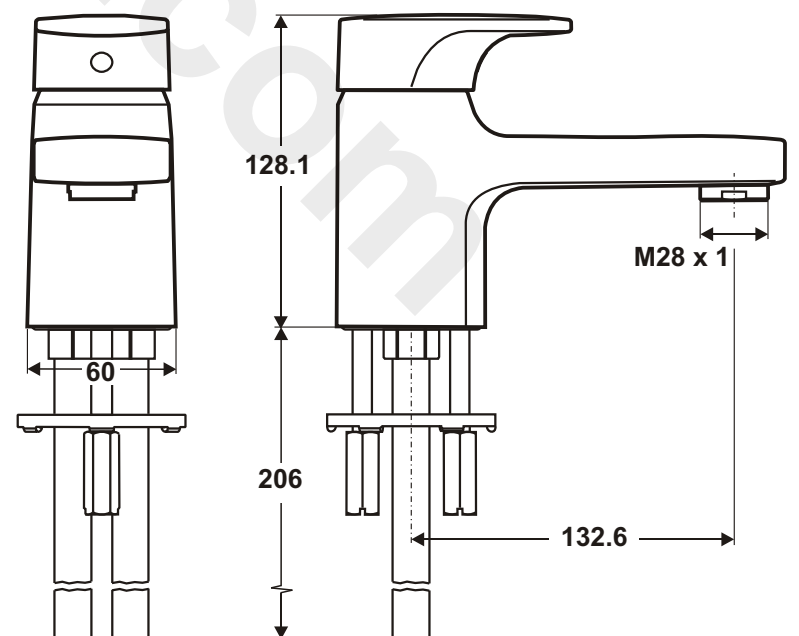


Figure 10 Setting the blend control

## MOMENTS

### SINGLE LEVER BATH FILLER



#### Installation Instructions

#### A3921 Moments 1-Hole Bath Filler

*Ideal Standard*

**0870 129 6085**  
 CUSTOMER CARE HELPLINE  
**01482 499611**  
 CUSTOMER CARE FAX  
[ukcustcare@aseur.com](mailto:ukcustcare@aseur.com)  
 E-MAIL

Ideal Standard pursues a policy of continuing improvement in design and performance of its products. The right is therefore reserved to vary specification without notice. Ideal Standard is a division of Ideal Standard (UK) Ltd

Ideal Standard  
 The Bathroom Works  
 National Avenue  
 Kingston-upon-Hull  
 HU5 4HS England

*Ideal Standard*

INSTALLER:  
 After installation please pass this instruction booklet to user

The bath mixer covered by this installation and maintenance instruction should be installed in accordance with the water regulations published in 1999\*, therefore American Standard would strongly recommend that it is installed by a professional installer

### Connections

Bath monoblock fittings  
15 mm screw-in copper tails

#### IMPORTANT NOTE

This one hole bath filler does not follow the normal convention in that the cold supply should be connected on the left when viewed facing the fitting.

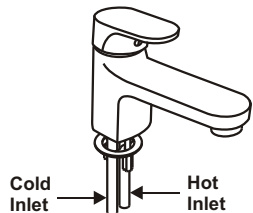


Figure 1

### Aerators

This mixer fitting is supplied with a flow straightener fitted in the spout. When fitting on pressures in excess of 1.0 bar, improved performance will be achieved by substituting an aerator (not supplied). These are available from IdealStandard stockists - part number: A960309AA

\*A guide to the Water Supply (Water Fittings) Regulations 1999 and the Water Byelaws 2000, Scotland, is published by WRAS (Water Regulations Advisory Scheme) Fern Close, Pen-y-Fan Industrial Estate, Oakdale, Newport, NP11 3EH. ISBN 0-9539708-0-9

### Water Supplies

The Moments one hole bath filler is designed for installation on normal UK low pressure storage tank fed systems or unvented high pressure systems. As it is a mixer, it is a requirement that hot and cold supply pressures be reasonably balanced and from a common source. i.e. both from a low pressure gravity fed system or both from a high pressure unvented system.

To ensure safety when installing on low pressure tank fed systems it is strongly recommended that the cold water feed from the storage tank is connected at a lower level than the feed to the hot water storage cylinder. This will ensure that in the event of an interruption to the water supply the hot will fail first.

### Installation

Flush water through the pipework before connecting the fitting.

Insert the fitting through the tap hole ensuring the o-ring seal is positioned above the tap platform and is seated evenly on the top surface.

Tighten the clamping nuts. See figure 7.

Ensure the sealing o-ring (14) is seated correctly on top of the bath and the friction washer (b) and clamping plate (c) are placed against the underneath surface of the bath tap deck. Tighten the clamping nuts (d) until the fitting is secure. See figure 7.

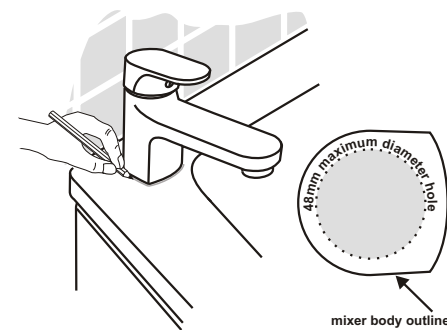


Figure 6 Drilling the bath tub

**IMPORTANT NOTE**  
This one hole bath filler is designed for a corner installation (see fig 6) or a position along the front side rim of the bath. Do not fit in line with the overflow assembly.

### Fixation

This one hole bath filler requires to be fitted to a bath supplied without tap holes.

The installer will have to drill a 48mm diameter hole in the rim. Before this is done consider whether a shower screen is to be fitted as it could foul the filler. Before fitting the tails, place the monoblock in the intended location and check for free movement of the lever handle. Next draw a pencil line around the base (Figure 6). In the centre of the outline, drill a 48mm hole. Fit the supply tails (17) ensuring the o-rings (16) are correctly located in the groove below the M18 threads. Place the sealing o-ring (14) in the groove on the underside of the fitting base. Place the fitting in the new tap hole.

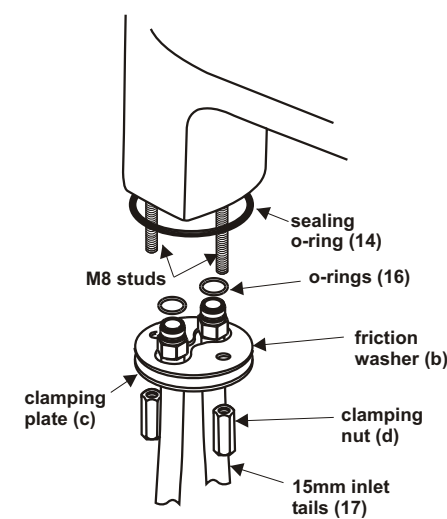


Figure 7 Fixation of bath monoblock

### CARTRIDGE REPLACEMENT

- Shut off the water supplies.
- Remove the cover cap and undo the grub screw.
- Pull off handle and shroud.
- Unscrew cartridge retaining nut.
- Lift out the multiport H/F cartridge.
- Position the replacement cartridge ensuring that the moulded location pin engages in the location hole and not in one of the inlet ports.
- Remove the handle adapter from the old cartridge and fit to the replacement.
- Refit the cartridge retaining nut and tighten - the ideal torque is 5 Nm. Typically this is hand tight plus ¼ turn. If over-tightened the cartridge will be stiff to operate and will have a limited life.
- Refit the lever handle by tightening the grub screw.

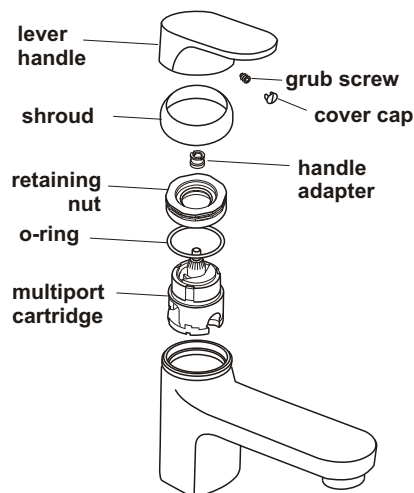


Figure 8 Single lever cartridge assembly

### SAFETY FOR THE USER

The Moments bath filler is not thermostatically controlled and outlet temperatures depend on the position of the control handle, the hot and cold temperatures and pressures.

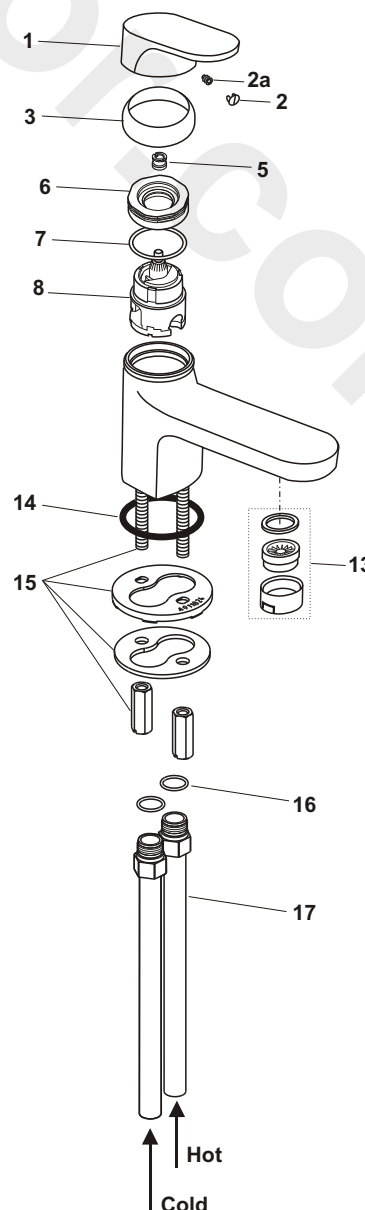
**If the cold water supply fails for any reason, only hot water at its maximum temperature will be delivered.**

Before operating the bath filler, check that the temperature of the mixed water is satisfactory. Young children, the elderly and infirm should be supervised when using the bath.

A limit stop known as the Blend Control, located under the handle, can be set to add additional user protection - see page 6 for details.

### CLEANING

When cleaning the fittings always use soap based cleaners. Never use abrasive or scouring powders and never use cleaners containing alcohol, ammonia, nitric acid, phosphoric acid or disinfectants.



Ref.	Spares description
1	Lever handle
2	Cover cap
2a	Handle screw M5X10
3	Shroud
5	Adapter for handle fixation
6	Cartridge retaining nut
7	O-ring 35x3
8	Multiport cartridge HF
13	Flow straightener M28 x 1
14	Deck sealing washer
15	Fixing set
16	O-ring 15.6 x 1.78
17	Inlet tail