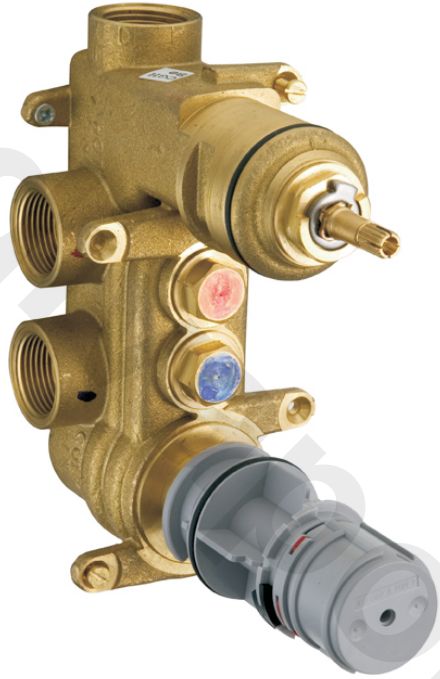




TT VALVE

THERMOSTATIC SHOWER VALVE
FIRST FIX KIT



Installation Instructions

A3969NU TT Thermostatic Valve First Fix Kit

INSTALLER:

*It is essential to flush the system as described in section 7
After installation please pass this instruction booklet to the user*

The fittings covered by these instruction should be installed in accordance with the Water Regulations published in 1999*, Ideal Standard strongly recommends that these fittings are installed by a professional installer.

*A guide to the Water Supply (Water Fittings) Regulations 1999 and the Water Byelaws 2000, Scotland is published by WRAS (Water Regulations Advisory Scheme) Unit 13, Willow Road, Pen-y-Fan Industrial Estate, Crumlin, Gwent, NP11 4EG ISBN 0-9539708-0-9.

1 SCOPE

This thermostatic shower mixer is designed to be installed on normal UK low pressure storage tank fed systems, unvented high pressure systems, modulating instantaneous water heaters or modulating combination (combi) boilers. It is suitable for all pumped applications.

2 WATER REGULATIONS

Hot and cold water supply pressures must be reasonably balanced and from a common source. The mixer will function within specification on unequal pressures up to a ratio of 5:1, but it is not recommended that the cold supply be connected to the rising main and hot to the tank fed supply.

The minimum pressure for correct operation is 0.1 bar (1m head measured from the base of the cold storage tank to the shower spray plate - see figs 5 & 6). For TMV3 applications see table 1

When installing with a shower pump a dedicated secondary tapping from the cylinder is highly recommended. Fig1 shows the various methods of connecting the hot water pipe from the cylinder.

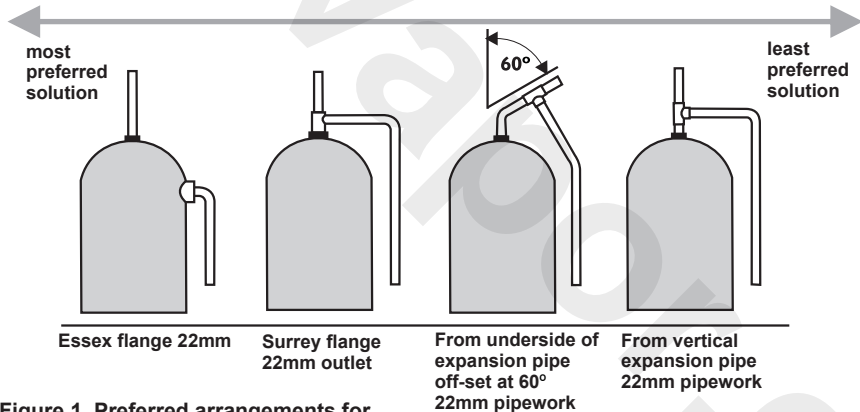


Figure 1 Preferred arrangements for cylinder tapping

The fitting and the isolation valves should be so installed as to be readily accessible for examination, repair, replacement or operation. (IRN 111).

The temperature of the hot water must not exceed 85°C it is recommended not to exceed 65°C (BS6700). For correct operation of the valve, 55°C min is required. See table 1.

For Healthcare Establishments

In accordance to NHS model engineering specifications DO8 the valve has approval for the following applications:-

High pressure	- HP	-S
Low pressure	- LP	-S

For this type of application the supply conditions in table 1 must apply:

3 CONDITIONS FOR NORMAL USE

Table 1 Supply conditions for normal use

Operating pressure range	High Pressure	Low Pressure
Maximum static pressure (Bar)	10	10
Flow pressure hot and cold (Bar)	1 to 5	0.2 to 1
Hot supply temperature (°C)	55 to 65	55 to 65
Cold supply temperature (°C)	5 to 20	5 to 20
Temperature differential characteristic (TDC) (C°)	10	10

Valves operating outside these conditions cannot be guaranteed to comply with the TMV3 scheme

MODULATING COMBINATION BOILERS

This thermostatic shower valve is designed for use with modulating combination boilers.

When installing on high pressure systems, pipework to the thermostat should be in 15mm copper. When installing on a modulating combination boiler it is sometimes possible for the interaction of a thermostatic valve with the boiler to cause the boiler to cut out and cut in again with the result that the water will become alternately cold and hot. In most cases this can be overcome by fitting the flow regulator supplied. It should be fitted in any 15mm compression fitting in the **dedicated cold supply pipe** upstream of the thermostatic valve but downstream of the isolating valve/strainer.

It is important to choose a compression fitting located in a position which is accessible after installation so that the regulator may be serviced if required.

It is recommended that the flow regulator is fitted in the downstream end of the isolating valve/strainers - supplied with the mixer.

It is important to fit the regulator the correct way round as shown in Figs 2/2a.

When fitting on the downstream end of a compression fitting (Fig 2) ensure the o-ring is seated fully in the visible rebate around the edge of the regulator. Use the tip of a small screwdriver or similar to achieve this. Ensure the tail of the pipe is not fouling the regulator (shorten if required) and tighten the compression fitting as normal.

In a minority of cases, where the boiler is of a type which stores a small quantity of very hot water, it may also be necessary to fit a 5 l/min flow regulator in the hot supply. These can be obtained from Customer Care.

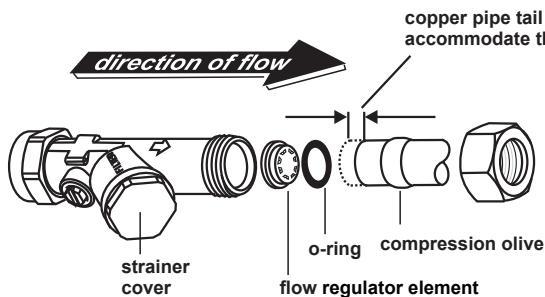


Figure 2 Fitting the regulator in the downstream end of the iso' valve/strainer

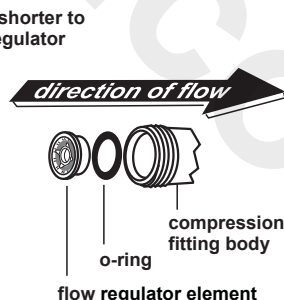


Figure 2a Fitting in the upstream end of a compression fitting

4 BACK SYPHONAGE PROTECTION

It is a requirement of the Water Regulations for the installer to assess the back siphonage risk should the flexible shower be capable of coming within 25mm of the spill-over level of any adjacent bathroom fixture.

SHOWER TRAYS, BASINS AND BATHS

Water in a shower tray, basin or bathtub is considered to be a fluid risk category 3. This is a fluid which represents a slight health hazard if it were to find it's way back into the supply pipe. For this reason it must not be possible for a flexible shower head to be able to enter any adjacent washbasin, bath or shower tray unless the inlets to the shower valve are protected by double check valves. If such protection is not present the shower hose must be restrained or shortened. Figure 3

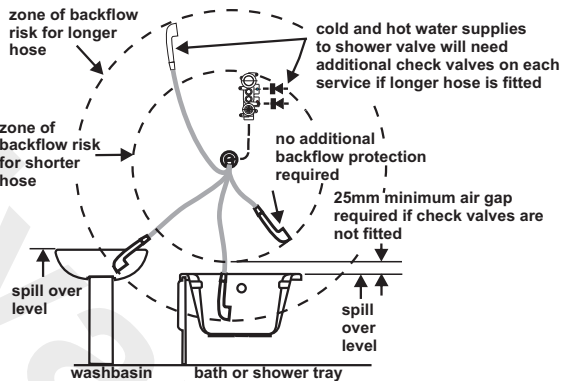


Figure 3 Backflow risk from a fluid category 3

WC'S, SINKS AND BIDETS

Water in a sink, WC or bidet is considered to be a fluid risk category 5. This is a fluid which represents a serious health hazard if it were to find it's way back into the supply pipe. For this reason it must not be possible for any flexible shower head to be able to enter any adjacent sink, WC or bidet.

If the flexible shower can reach within 25mm of the spill-over level of any sink, WC or bidet, a design change must be made such as restraining the hose or using a shorter one.

Installers and users must comply with this requirement when a replacement shower hose is being fitted.

Check valve protection is not permitted for category 5 fluids. See Figure 4.

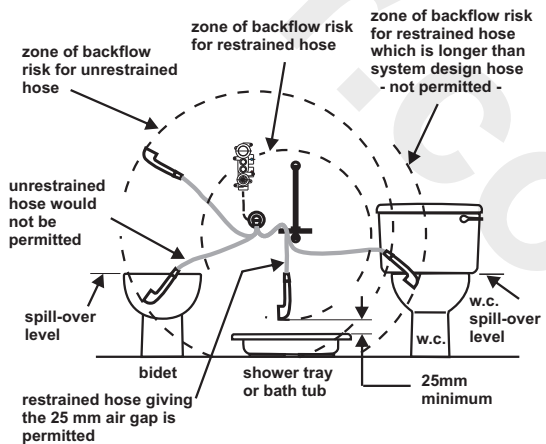


Figure 4 Backflow risk from a fluid category 5

5 GRAVITY & PUMPED SYSTEMS

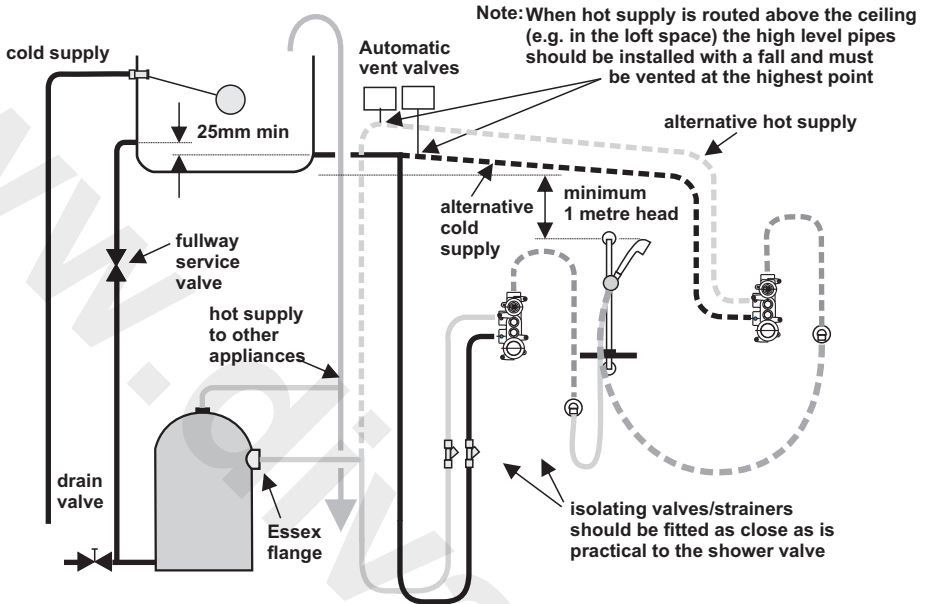


Figure 5 Recommended system layout for gravity applications

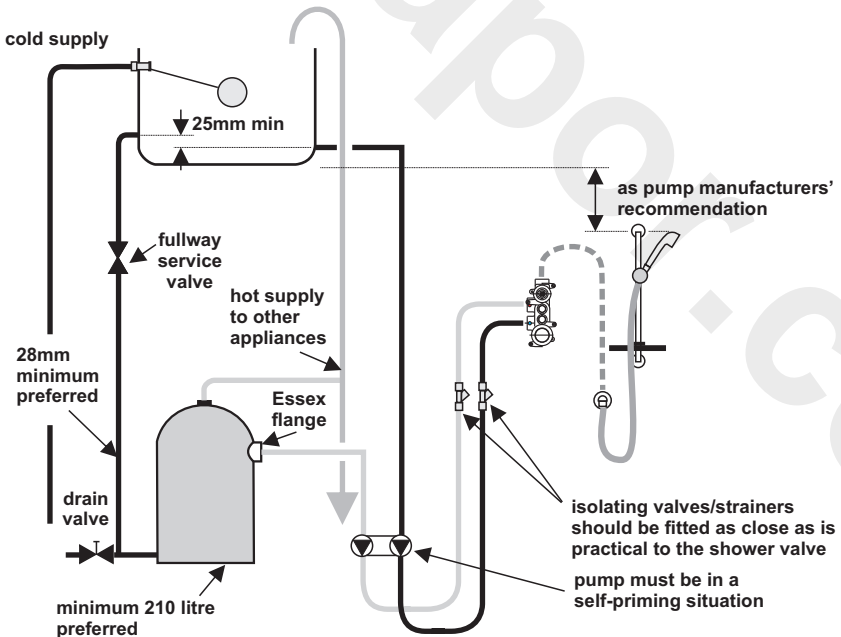


Figure 6 Recommended pumped system layout

6

TECHNICAL DIMENSIONS

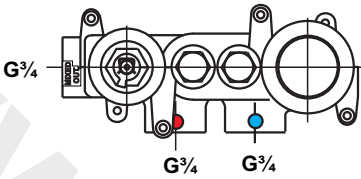
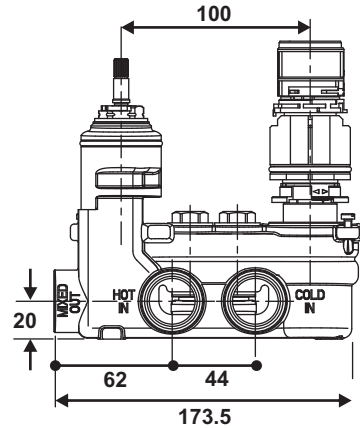


Figure 7 Roughing in dimensions



INSTALLATION GUIDE

Connections on the built-in mixer body are G $\frac{3}{4}$ (female) and are marked “hot in”, “cold in” and “mixed out” on the body casting. For maximum flow performance on gravity and pumped systems pipework should be run to the valve in 22mm copper. The G $\frac{3}{4}$ to 22mm connectors should be joined to the valve body using traditional fibre plus jointing compound. (If PTFE tape is used special care must be taken to ensure the joint is water tight before plastering the wall.) Under no circumstances should soldered joints be used near the valve body as this will damage the fitting.

The isolation valves should be fitted close to the valve body and still be accessible after installation.

The valve is supplied ready for installation as per position 1 in figure 8. If a configuration as shown in position 2 is required then the temperature adjustment carrier will need to be repositioned. To do this, remove the temperature adjustment carrier by rotating the black serrated lever ('f' in fig 12) clockwise. The carrier can then be pulled off. Refit the carrier by pushing it on - it will snap into position - with the triangular raised mark ('a' in fig 12) at the top.

If a horizontal arrangement such as it shown in fig 8a the installer should be aware that some 2nd fix kits are not suitable for these positions (3 and 4).

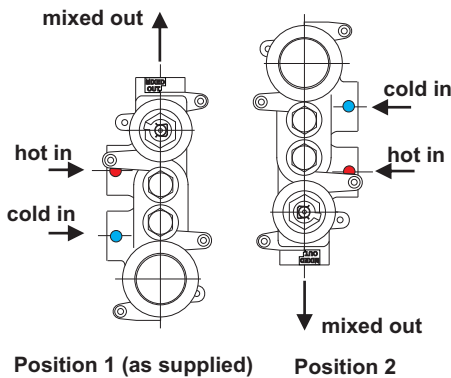


Figure 8 Preferred installation orientation

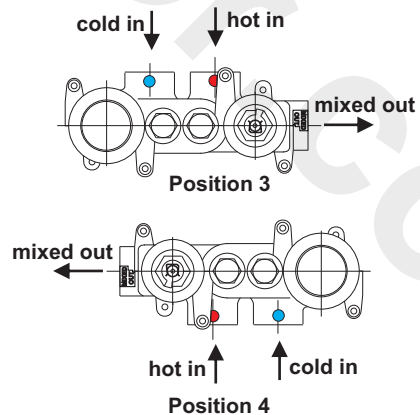


Figure 8a Horizontal installation orientation (not suitable for some trim kits)

7 BUILDING-IN

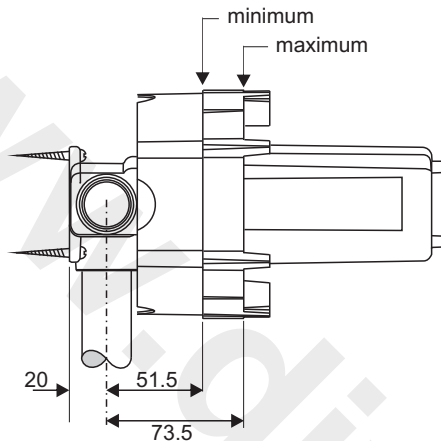


Figure 9 Build in depth

1. This thermostatic valve is designed to be recessed into the wall. The depth of the recess should be measured from the finished wall surface to the rear of the valve body. The recess depth is in the range 71.5mm min to 93.5mm max. Minimum and maximum depths are marked on the plaster guard (11).

2. Chase wall for mixer body and pipe work.

3. Remove plaster guard (11).

4. Connect the pipe work and remember not to solder near the valve body. **Test the in-wall pipework for leaks before plastering.**

5. Replace the plaster guard and check that the valve is level. The four bosses on the front of the plaster guard allow a spirit level to be placed on or against it. Check also that the valve is parallel to the wall surface.

6. Make good the wall by plastering around the valve up to the plaster guard.

7. Once the plaster has set the wall can be tiled using the tiling template which is delivered with the face plate in the second fix kit. This should be located by placing it over the plaster guard and attached to the wall using tile adhesive. When the face plate is fitted this permits a good seal to be made with the wall.

(See section 8 for illustrations)

8. If the valve is not being fitted in the orientation as supplied then the temperature adjustment carrier will have to be repositioned as described in section 6

9. The pipe work and valve body must now be flushed out otherwise the thermostatic cartridge filters could become blocked resulting in reduced or erratic performance.

To do this, remove the check valve housing (7) from the hot side as described in section 9. Turn on the hot supply until all debris has been purged from the system then replace the check valve.

Repeat the procedure for the cold side check valve (6). After flushing check and clean the strainer elements in the isolating valves.

SECOND FIX KIT

This comprises the shrouds, face plates and handles and is available separately. Fit the shrouds and then push the black plastic back cover plate over them until its seal engages with the tiling template. Secure using the fixing screws provided. (One of these may have to be cut if the valve is installed close to the minimum depth.) Push the front cover plate into position and fit the operating handles. (See instruction leaflet E96549200, packed with the second fix kit, for details.)

IN-LINE STRAINERS

This valve is supplied with isolating valves / strainers which should be fitted as detailed in section 3. This will help protect the delicate mechanisms from the possibility of becoming blocked by installation or other debris.

As the thermostatic cartridge seldom fails the possibility of blocked filters must always be investigated before contemplating fitting a new cartridge.

8

PLASTERING AND TILING

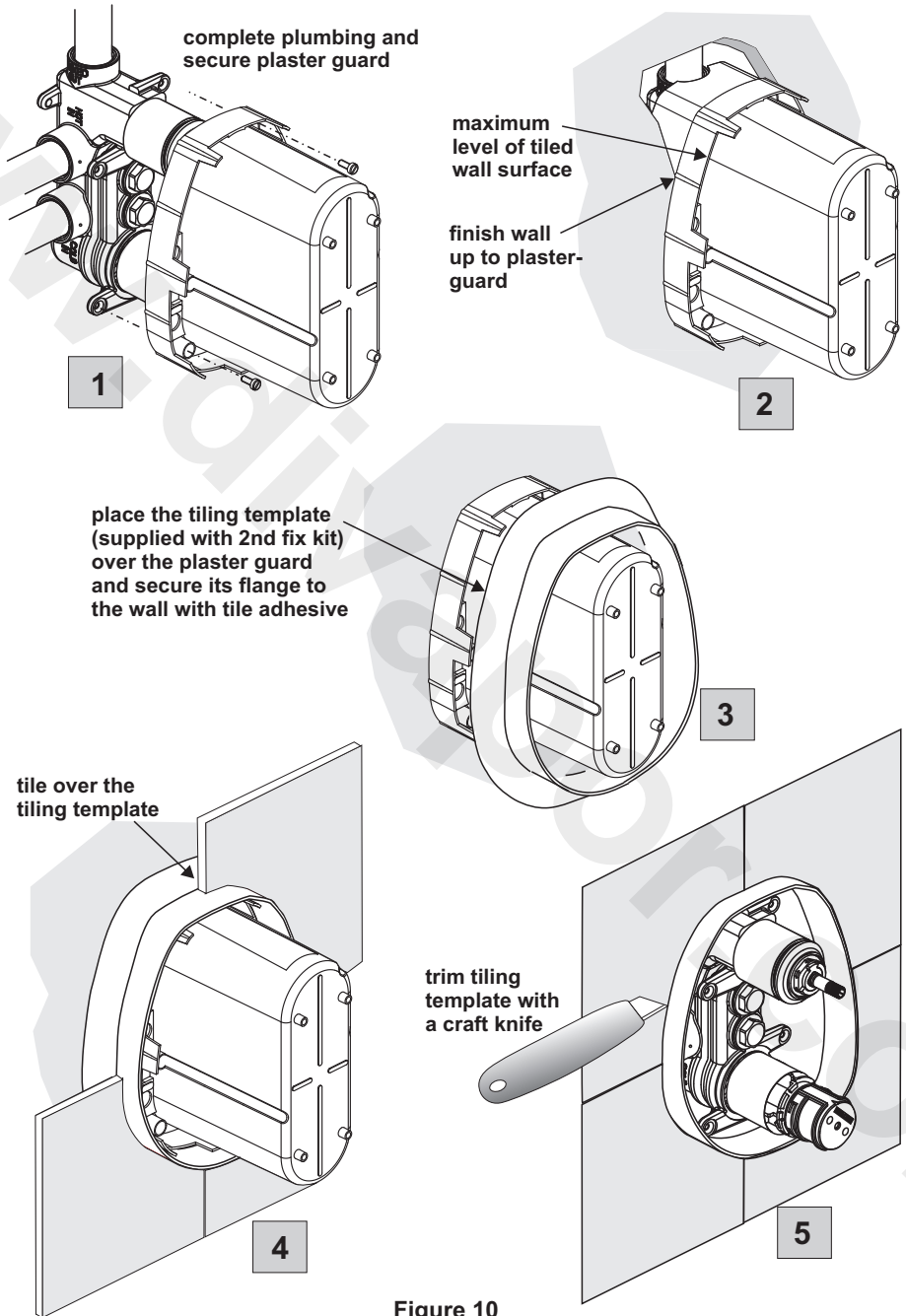


Figure 10

9

CARTRIDGE REPLACEMENT

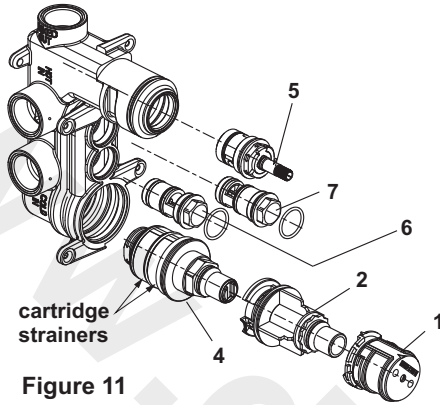


Figure 11

Servicing the thermostatic valve is simple as all working parts are in the replaceable cartridges.

In all cases the hot and cold supplies must be isolated before commencing work.

To access all the cartridges first remove the face-plate which can be prised off. The black plastic back-plates can then be unscrewed.

FLOW CONTROL CARTRIDGE

The flow control cartridge (5) can be accessed by removing the flow control handle. It is then a simple matter of unscrewing it using a 22mm spanner. Care should be taken when fitting the replacement cartridge not to allow its greased seals to become contaminated with grit as this can prevent proper seating.

THERMOSTATIC CARTRIDGE

Remove the temperature control handle and the shroud. The temperature adjustment carrier (1) can then be removed by sliding the serrated lever ("f" in fig 12) clockwise and pulling the carrier off. Remove the temperature handle extension (2) in exactly the same manner.

The thermostatic cartridge (4) can then be unscrewed using a 24mm deep socket.

It is usually unnecessary to fit a new thermostatic cartridge. Most problems occur because debris from the pipe work has blocked the cartridge filter screens, often as a result of the pipework not being flushed at the time of installation.

The cylindrical strainers can be removed for cleaning by removing the o-rings from the cartridge and sliding the strainer screens off. Do not attempt to refit the cartridge with the strainers missing. Any small particles of grit in the water supply will cause the mechanism to jam. (Place all components which have grease on them on a clean piece of paper to avoid picking up grit). Grease the cartridge o-rings with silicone grease when they have been refitted.

If the cartridge is to be replaced, fit the new one at this stage. The valve is assembled in reverse order.

CHECK VALVES

This shower valve is fitted with check valves on both hot and cold inlets. These are necessary to prevent cross flow through the fitting between hot and cold supplies.

The check valves should normally operate without any problems but if they become blocked with, say, installation debris this could cause reduced or erratic flow.

It is a simple procedure to inspect the check valves. Remove the face plate and unscrew each of the check valve housings in turn using a 17mm socket (6 cold, 7 hot). If debris is blocking the check valve it will have to be carefully cleared out and the valve washed clean. The check valve mechanism is delicate and must be treated gently. In the event of them becoming damaged by this process replacements may be purchased by calling Customer Care - see back cover.

It is essential that the hot and cold check valves are not mixed up otherwise the thermostat will not function correctly, however, if inlet connections to the valve have been transposed the problem can be resolved by transposing the check valves.

10 COMMISSIONING AND PERIODIC CHECKS

Commissioning Procedure

The following procedure should be carried out after installation and every 6 months thereafter to ensure that the valve is functioning correctly.

Check that:

- a) The designation of the thermostatic mixing valve matches the intended application.
- b) The supply pressures are within the range of operating pressures for the designation of the valve. (see Table 1)
- c) The supply temperatures are within the range permitted for the valve and by guidance information on the prevention of legionella etc. (see Table 1)

Adjust the temperature of the mixed water (see section 14) for the requirement of the application and then carry out the following sequence:

- a) Record the temperature of the hot and cold water supplies.
- b) Record the temperature of the mixed water at the largest draw-off flow rate.
- c) Record the temperature of the mixed water at a smallest draw-off flow rate, which shall be measured.
- d) Isolate the cold water supply to the mixing valve and monitor the mixed water temperature.
- e) Record the maximum temperature achieved as a result of (d) and the final stabilised temperature.

NOTE: The final stabilised mixed water temperature should not exceed the values in Table 2

- f) Record the equipment, thermometer etc. used for the measurements.

Table 2 A guide to maximum temperature sets

Application	Maximum Mixed water temperature during normal operation	Permitted maximum stabilised temperature recorded during site testing excluding transient spikes
Shower	41°C	43°C

In-service Testing

Purpose

The purpose of in-service tests is to regularly monitor and record the performance of the thermostatic mixing valve. Deterioration in performance can indicate the need for service work on the valve and/or the water supplies. **This may require the adjustment of either the supply system or the valve. The A3969NU should be checked and tested 6 to 8 weeks and again 12 to 15 weeks after commissioning. The results are to be compared against original commissioning settings. If the product passes the audit tests three consecutive times** (demonstrating good stability of system & product) then a 12 monthly servicing cycle may be adopted.

Otherwise, servicing checks should be carried out more frequently (E.g. every 4 months).

Procedure

Using the same measuring equipment or equipment to the same specification as used in the commissioning of the valve, adjust the temperature of the mixed water (see section 14) for the requirement of the application and carry out the following sequence:

- a) Record the temperature of the hot and cold water supplies.
- b) Record the temperature of the mixed water at the largest draw-off flow rate.
- c) Record the temperature of the mixed water at a smaller draw-off flow rate, which shall be measured.

If the mixed water temperature has changed significantly from the previous test results (e.g. > 1C°) record the change and before re-adjusting the mixed water temperature check:

- a) That any in-line or integral strainers are clean.
- b) Any in-line or integral check valves or other anti-back siphonage devices are in good working order.
- c) The isolating valves are fully open.

With an acceptable mixed water temperature, complete the following procedure:

- a) Record the temperature of the hot and cold water supplies.
- b) Record the temperature of the mixed water at the largest draw-off flow rate.
- c) Record the temperature of the mixed water at a smaller draw-off flow rate, which shall be measured.
- d) Isolate the cold water supply to the mixing valve and monitor the mixed water temperature.
- e) Record the maximum temperature achieved as a result of (d) and the final stabilised temperature.
- f) Record the equipment, thermometer etc. used for the measurements.

If at step (e) the final mixed water temperature is greater than the values in Table 2 and / or the maximum temperature exceeds the corresponding value from the previous results by more than about 2C°, the need for service work is indicated.

11 MAINTENANCE

This thermostatic shower valve should be cleaned regularly - see below under cleaning.

The isolating valves / strainers (14) should be serviced annually.

To do this close the isolating valve (16) by turning through 90deg (figure 15 shows the valve in the closed position). Unscrew the strainer cover (15), remove the strainer gauze and clean under running water before replacing.

The greatest build up of debris on the strainer gauze is likely to occur just after installation. The installer is asked, therefore, to check the strainer after testing the system.

The unique ceramic disc cartridge is built using ultra-smooth ceramic discs. These are so hard that they always remain sealed together, polishing each other in use. Sand, sediment and other water borne matter cannot get between them or damage them. Even the hardest water has no effect and this means that this shower valve should give many years of efficient trouble free service without the drip and liming up problems associated with traditional valves.

However, in the unlikely event of a failure or any other problem it is a simple matter to exchange the cartridge. (see figure 11).

CLEANING

When cleaning the shower valve always use soap based cleaners. Never use abrasive or scouring powders and never use cleaners containing alcohol, ammonia, nitric acid, phosphoric acid or disinfectants.

12 CALIBRATION

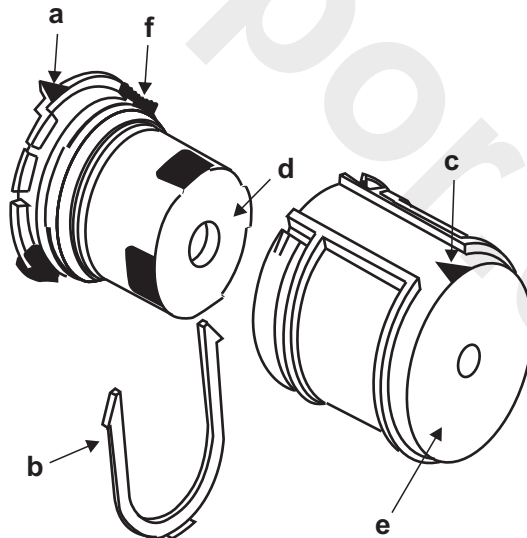


Figure 12 Temperature adjustment carrier exploded

CALIBRATION

Remove handles and wall plate or covers. Slide out the red "U" clip (b Figure 12) and disconnect the handle carrier to expose the temperature control mechanism. Turn on the shower, position a thermometer in the running water and when the temperature settles, rotate the temperature control mechanism (d) until 40 °C is achieved. Replace the handle carrier (e) ensuring the arrow (c) is at 12 o'clock. Without rotating it, refit the red "U" clip (b). Replace the covers and handles.

NOTE

Details of the recommended code of practice for safe water temperatures can be found on the Thermostatic Mixing Valve Manufacturers Association web site: www.tmv.org.uk

13 MAXIMUM TEMPERATURE STOP

The maximum mixed water temperature is factory set at 40°C. To change this temperature remove the temperature control handle. Remove the temperature limit stop (black H-shaped plastic part located in the temperature handle carrier) and reinsert it in the appropriate recess on the handle carrier. Four different settings are possible, 40°C, 43°C, 45°C & 50 °C (See Figure 13) Refit the temperature handle.

When installing in care homes it must not be possible to deliver water hotter than 41°C so the limit stop must remain at the 40°C setting.

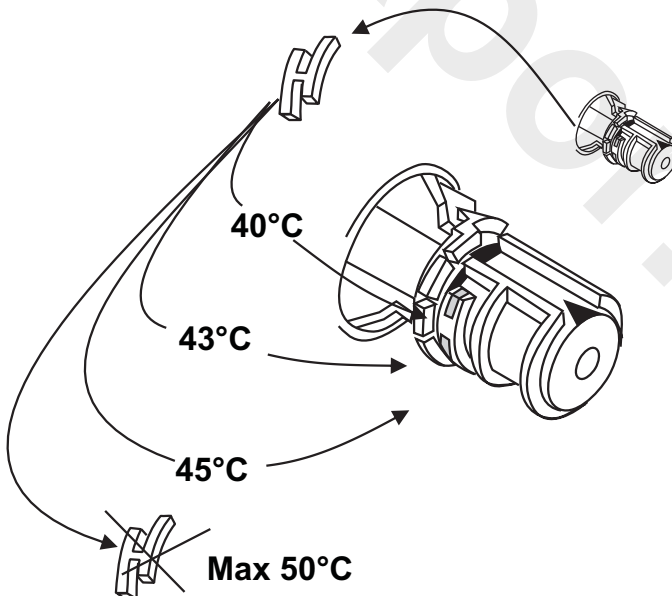


Figure 13 Adjusting the temperature limit stop

14 OPERATION

To select the desired mixed water temperature turn the temperature handle clockwise for colder and anti-clockwise for hotter. (see figure 14)

Temperatures greater than 40°C can only be accessed by sliding the button forward and continuing to turn anti-clockwise. The maximum temperature available is determined by the position of the maximum temperature stop. (see section 13 above)

The flow is controlled by the flow control handle. The button is a water saving feature which limits the flow to around 50% of maximum. For greater flow rate push the button inwards and continue to turn

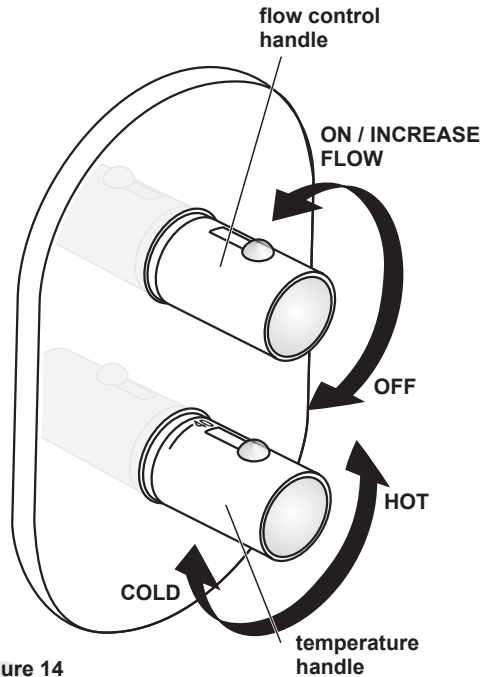
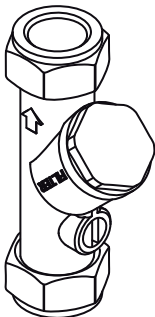


Figure 14

14B Inline Service valves



A pair of service valves are supplied with this product. The valves have integral strainers to protect the product from water borne debris. These should be fitted to both hot & cold water supplies.

Note flow direction arrow on the body.

To isolate the product from the supplies turn the screw as shown here. For normal operation the screw slot is in line with the valve body.

Fit the service valves in an easily accessible location for future maintenance.

The strainer cap can be removed to permit cleaning of the strainer element.

NOTE FOR IRELAND: 15mm olives are supplied with this product. Use 1/2" olives if 1/2" supply pipes are fitted.

The service valves supplied with this product must be fitted. Products are certified to TMV-3 using these service valves. Alternatively, a close equivalent can be fitted.

15 SPARE PARTS

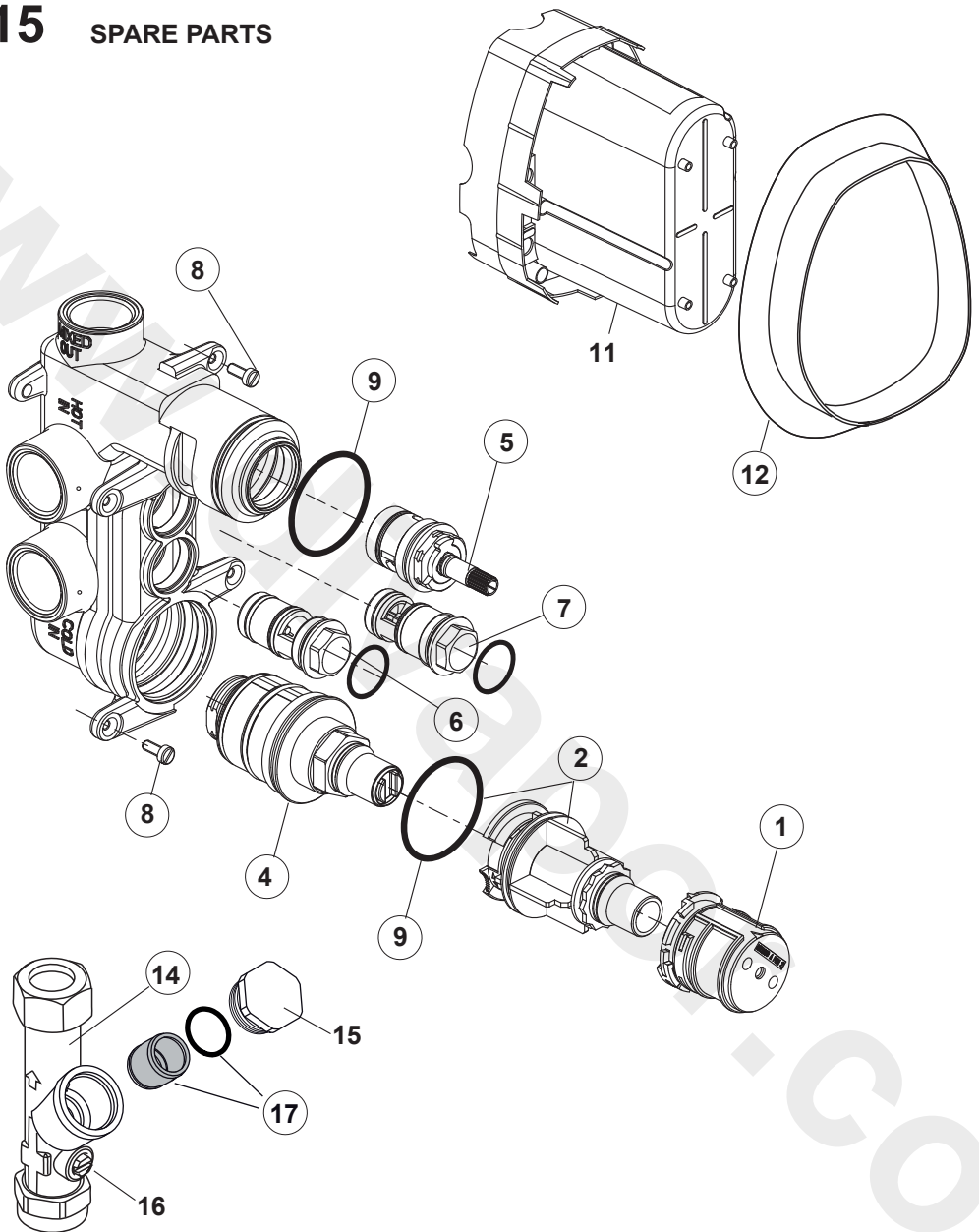


Figure 15 Exploded view of valve and associated components

Ref.	Description	Spares codes
1	Temperature adjustment carrier	F960 908NU*
2	Temperature handle extension	A962 443NU
4	Thermostatic cartridge	S960 134NU
5	Flow control cartridge	A960 898NU
6	Check valve - cold	A960 588NU
7	Check valve - hot	A960 589NU
8	Plaster guard screw	A960 474NU
9	O ring	A860 607NU
11	Plaster guard	n/a
12	Tiling template (supplied with 2nd fix kit)	A963 510NU
14	Isolating valve with strainer	E960 086NU
15	Strainer cover	n/a
16	Isolating valve (shown closed)	n/a
17	Strainer & O-ring kit for service valve	A861 284NU
	<i>* universal set (not all parts needed)</i>	

For more information about our products visit our websites:

www.armitage-shanks.co.uk

www.idealspec.co.uk

www.fastpart-spares.co.uk



CUSTOMER CARE HELP LINE

0870 129 6085

CUSTOMER CARE FAX

01482 499611

E-MAIL

UKcustcare@idealstandard.com

Ideal Standard International NV
Corporate Village - Gent Building
Da Vincilaan 2
1935 Zaventem
Belgium

www.idealstandardinternational.com

Ideal Standard pursues a policy of continuing improvement in design and performance of its products.

This right is therefore reserved to vary specification without notice without notice.

Ideal Standard is a division of
Ideal Standard (UK) Ltd

Ideal Standard,
The Bathroom Works, National Avenue
Kingston-upon-Hull, HU 4HS, England



0918 / E 965 490 0040
(+A 865 612)
Made in Germany