

# Installation Instructions AMENDMENT SHEET

*Armitage  
Shanks*

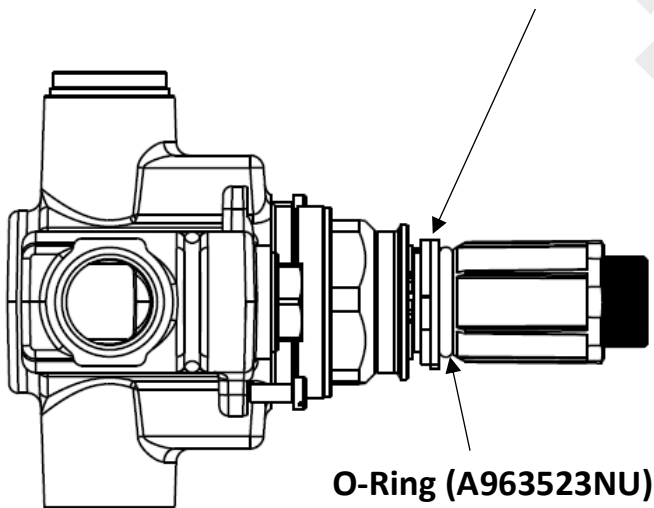
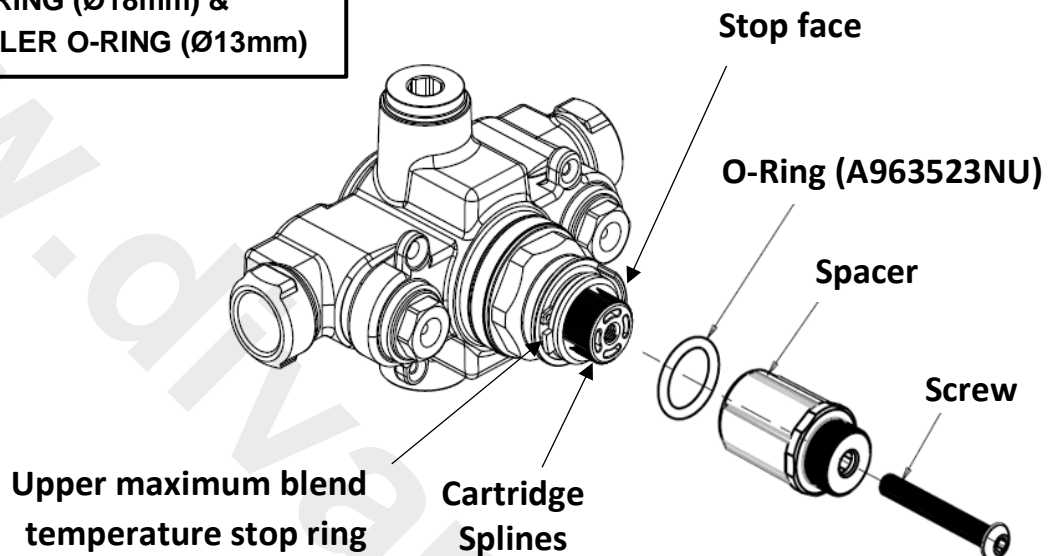
08/17 A868399

## Lever operated sequential thermostatic built in showers mixers

This amendment applies to products:

A4129AA, A4314MY, A6528AA

A963523NU  
FIT THE LARGER O-RING (Ø18mm) &  
DISCARD THE SMALLER O-RING (Ø13mm)



### IMPORTANT:

TO PREVENT THE UPPER MAXIMUM BLEND TEMPERATURE STOP RING FROM MOVING FORWARDS AND OVERRIDING THE MAXIMUM TEMPERATURE LIMIT, FIT THE O-RING OVER THE CARTRIDGE SPLINES BETWEEN THE STOP RINGS AND SPACER. IF THE PRODUCT IS ALREADY FITTED WITH O-RING, AMENDMENT DOES NOT APPLY