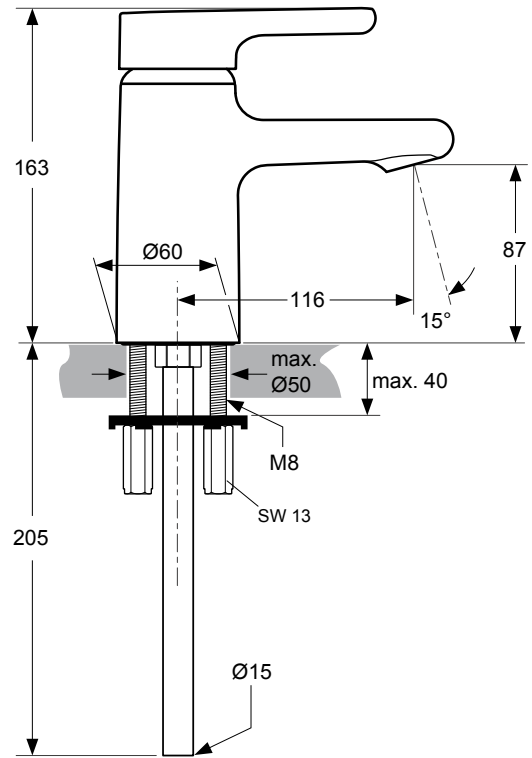
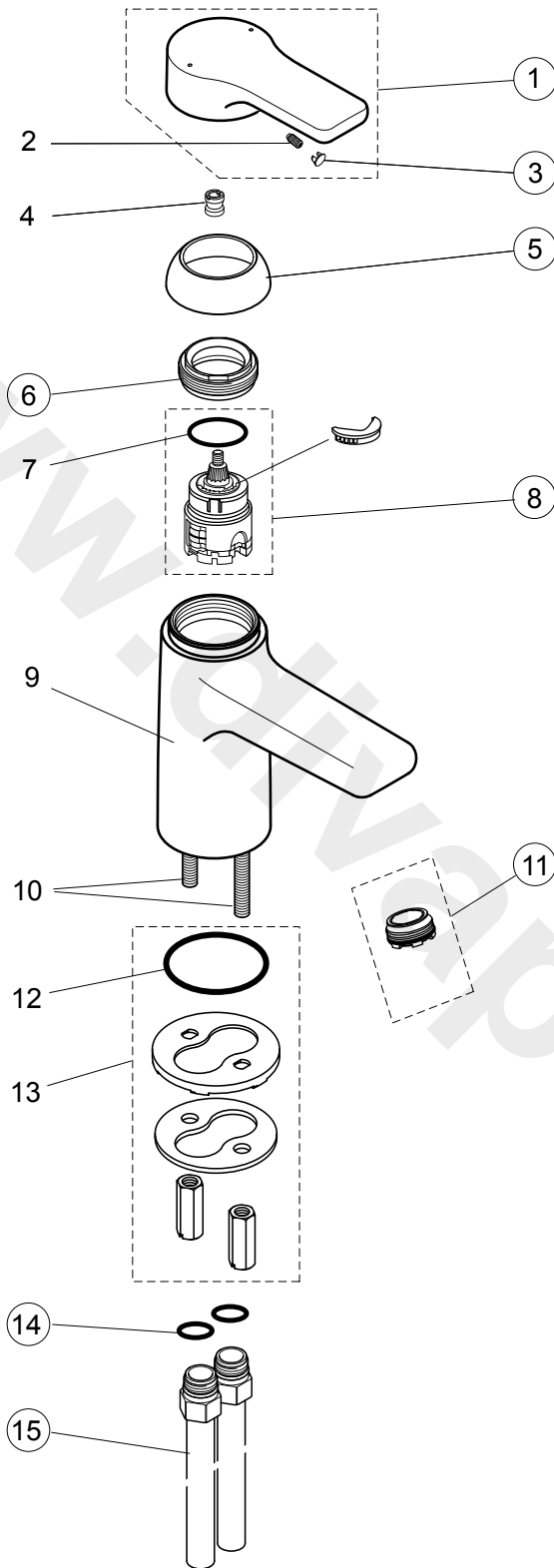


Produced from: April 2009



SL bathfiller
with copper tubes
chrome

A4609AA

Pos.	Description	Part-Number	Qty.	Pos.	Description	Part-Number	Qty.
1	Lever cpl. with Logo IS	A 960 690 AA	1 pcs	9	Body		
2	Thread pin M5x6 DIN914			10	Stud M8 x 56		
3	Handle cap	B 960 473 AA	1 pcs	11	Aerator M24 x 1	A 960 692 NU	1 pcs
4	Handle adapter included in pos. 8			12	O - ring Ø 50,39 x 3,53		
5	Cover cap	A 960 691 AA	1 pcs	13	Fixation-set		
6	Clamping nut M43 x 1,5			14	O - ring Ø 15,6 x 1,78	A 961 182 NU	2 pcs
7	O - Ring Ø 35 x 3,2			15	Copper tube Ø15 - M18x1	A 960 133 NU	1 pcs
8	Cartr. Multiport Highflow	A 960 145 NU	1 pcs				