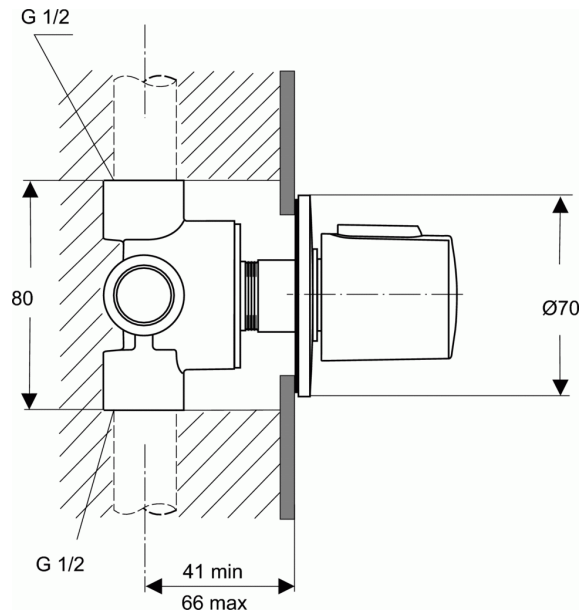


# CERATHERM 100 NEW

## Built-in valve diverter



### Built-in valve diverter

On/Off valve KIT 2 version (visible part)

Plastic escutcheon

Plastic handle

Comply with EN1111

To be used only in combination with :

- A2391NU KIT 1 (internal part) G1/2" connection, 3/4 positions diverter, 3 outlets (See Section Built-in parts)
- A2393NU KIT 1 (internal part) G1/2" connection, 2/3 positions diverter, 2 outlets (See Section Built-in parts)

### REQUIRED

Built-in valve internal part	A2356
Built-in valve internal part	A2359
Multiway diverter built-in 4/3	A2391

### FINISHES\*



AA

\* AA = Chrome